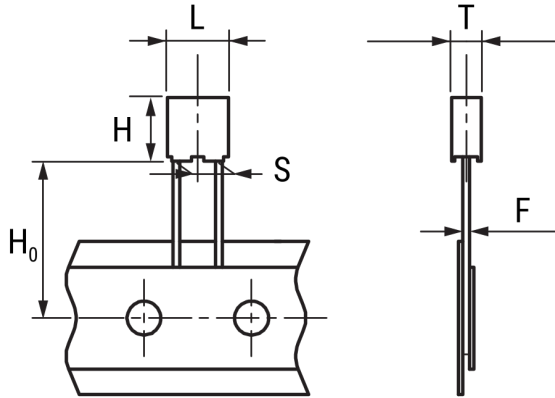


RSBWC1150DQ00K

Aliases (SBWC1150DQ00K)

RSB, Film, Metallized Polyester Stacked, Automotive Grade, 1500 pF, 10%, 500 VDC, 85°C, Lead Spacing = 5mm



Click [here](#) for the 3D model.

Dimensions

L	7.2mm +0.2mm
H	6.5mm +0.1mm
T	2.5mm +0.2mm
S	5mm +0.6/-0.1mm
H0	18.5mm +/-0.5mm
F	0.5mm +/-0.05mm

Packaging Specifications

Packaging	Ammo, 360x340x59mm, Box
Packaging Quantity	3500

General Information

Series	RSB
Dielectric	Metallized Polyester Stacked
Style	Radial
Features	Automotive Grade, DC Multipurpose Applications
RoHS	Yes
Lead	Wire Leads
Qualifications	AEC-Q200
AEC-Q200	Yes
Miscellaneous	Above 85C DC And AC Voltage Derating Is 1.25%/C.

Specifications

Capacitance	1500 pF
Capacitance Tolerance	10%
Voltage AC	220 VAC
Voltage DC	500 VDC
Temperature Range	-55/+125°C
Rated Temperature	85°C
Dissipation Factor	0.8% 1kHz, 1.2% 10kHz, 2.5% 100kHz
Insulation Resistance	30 GOhms
Max dV/dt	700 V/us
Inductance	7 nH