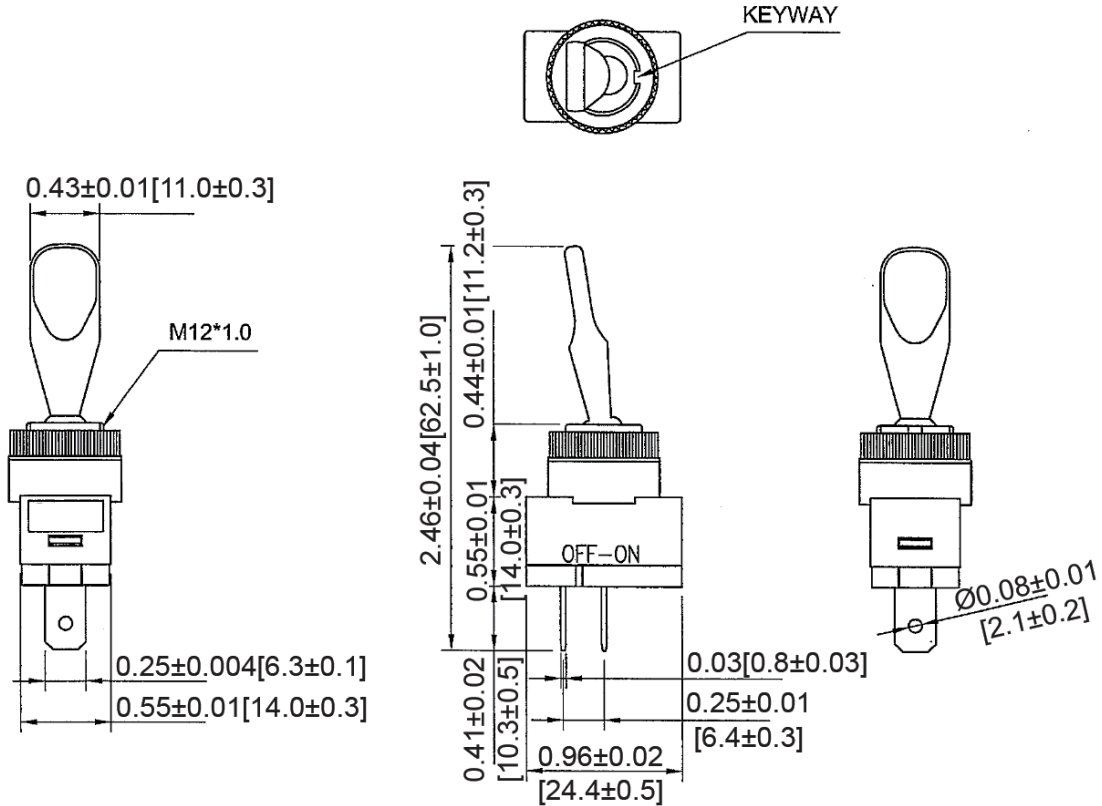
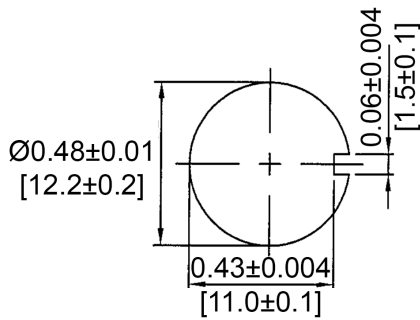


**Mechanical Dimensions: Inches [mm]**

Tolerances  $\pm 0.012$  [0.3] Unless Otherwise Specified



**Mounting Hole**



**Circuit Diagram**

2P SPST ON-OFF



**Electrical Specifications**

Rating	20A 12V DC
Contact Resistance	50m ohm Max
Insulation Resistance	DC 500V 100M ohm Min
Dielectric Strength	AC 500V 1 minute

**Material Specifications**

Frame	Nylon #66
Actuator	PC
Terminals	C2680
Contacts	C2680

<b>Rev</b>	<b>Date of issue</b>	<b>Revision Notes</b>	<b>Designed</b>	<b>Approved</b>
B	07-13-2021	Initial Drawing	RC	OF