



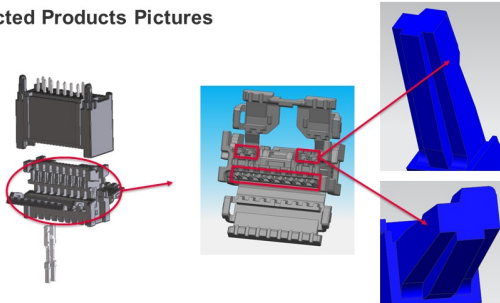
Product Change Notification (PCN)

PCN Number	508672	Date Issued	June 09, 2020
Reason for Change	Change to Product		
Change Type Description	This letter is to inform you that changes are being made to the part(s) identified in this Notice. The change may affect the fit, form, function or appearance of the parts, or it may result in a change to the specification. The pictures below show an example of the possible differences.		
Reason for Short Notice	Corrective Actions		
Assessment of Change	Product will be fully qualified before it is shipped. Qualification reports will be available after below listed date		
Internal Molex Qualification Date	June 09, 2020		
Sample Availability Date (Changed Part)	June 09, 2020		
Planned Implementation Date	June 17, 2020		
Method of Identifying Change	No special marking on the product or packaging		

RELEASED

Before Change

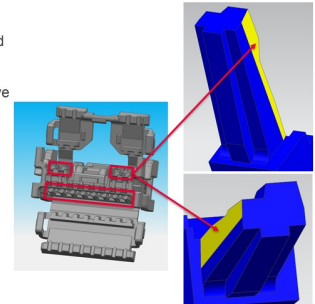
Impacted Products Pictures



After Change

Overview

- Molex has decided to add chamfer and reduce 0.07mm material at the top of finger on GEN1 Mini50 12ckt RECEPTACLE HSG in order to improve quality performance.
- Product Impact
 - improve performance of these products
- Part Number Impact
 - see attached impacted parts list
- Qualification Reports and samples available upon request after the date shown above





Product Change Notification (PCN)

You may address any technical inquiries regarding this PCN by sending E-mail to pcn_coordinator@molex.com or your Local Sales Engineer.

Note: While responding, please retain "**PCN Notification:508672**" in the e-mail Subject line for faster response.

RELEASED

Molex, LLC
2222 Wellington Court
Lisle, IL 60532
TEL: 630-969-4747
www.molex.com

PCN #	Molex Part #
508672	348240124
508672	348240125
508672	348241124
508672	348245124
508672	348245125
508672	348245126