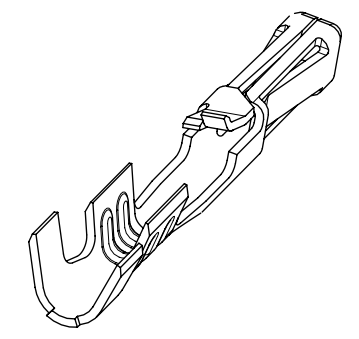


- NOTES:
1. MATERIAL: PHOSPHOR BRONZE
 2. PLATING:
 - 124 = SELECT BRIGHT TIN: 3.75 MICROMETERS MIN OVER NICKEL
 - 207 = SELECT HARD GOLD: 0.38 MICROMETERS MIN.
SELECT TIN: 2.0 MICROMETERS MIN BOTH OVER NICKEL
 - 206 = SELECT HARD GOLD: 0.75 MICROMETERS MIN.
SELECT TIN: 2.0 MICROMETERS MIN BOTH OVER NICKEL
 - P124 = PREPLATED OVERALL BRIGHT TIN: 3.75 MICROMETERS MIN OVER NICKEL
(MAY HAVE UNPLATED EDGES)
 3. PRODUCT SPECIFICATION: TERMINALS CONFORM TO PS-70058 AND PS-70400 WHEN CRIMPED WITH MOLEX CRIMP TOOLS.
 4. COSMETIC SPECIFICATION: PS-45499-002 CLASS B
 5. TERMINAL FOR USE WITH HOUSING SERIES 70066 AND 70450
 6. WIRE SPECIFICATION: TERMINALS STAMPED WITH THE LETTER:
 - A = ACCEPTS 24-30 AWG STRANDED WIRE WITH A 1.52 MAX INSULATION DIA
 - B = ACCEPTS 32-36 AWG STRANDED WIRE WITH A 0.64 MAX INSULATION DIA.
 - C = ACCEPTS 22-24 AWG STRANDED WIRE WITH A 1.63 MAX INSULATION DIA

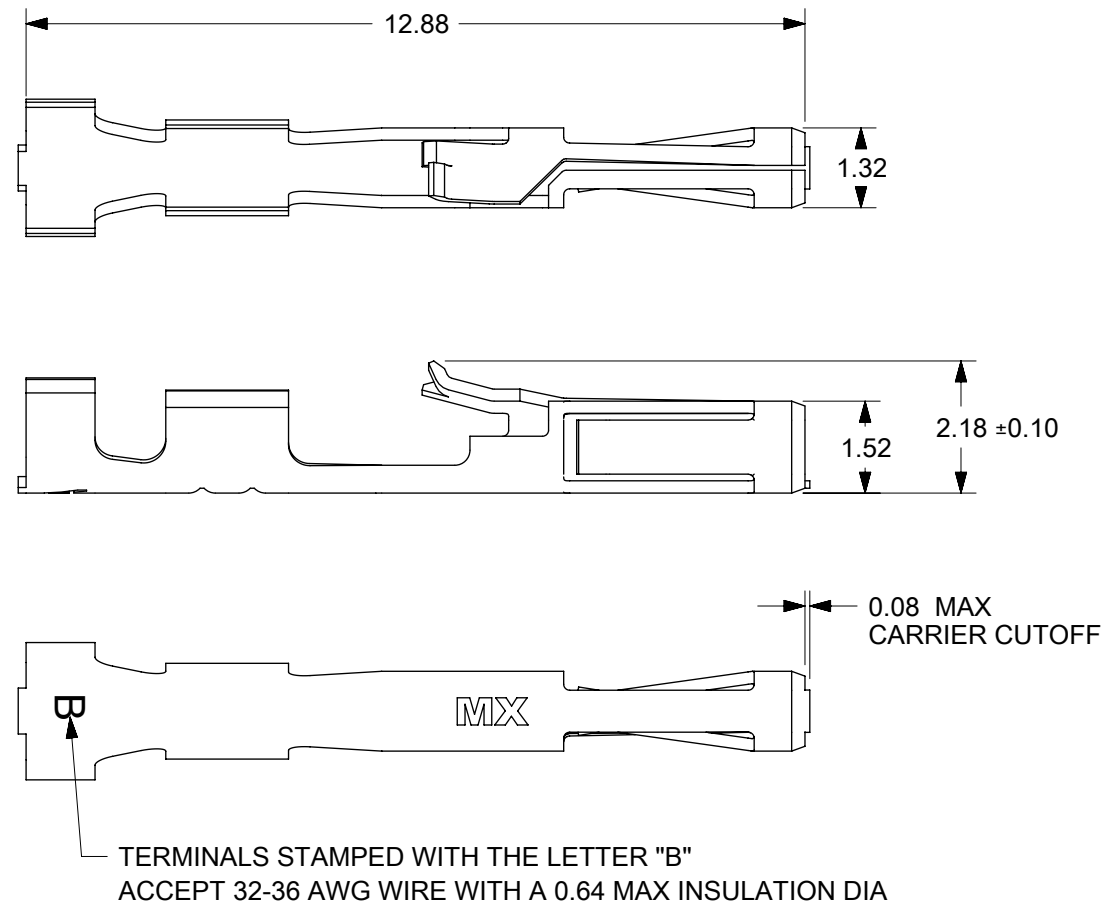
TERMINALS ON THIS SHEET ARE FOR USE WITH 24-30 AWG WIRE.
SEE SHEETS 2 AND 3 FOR OTHER WIRE SIZES



MATERIAL NO:	PACKAGING	PLATING SEE NOTE 2	WIRE SIZE	MAX INSULATION DIA
70058-1069	REEL	124 SELECT TIN	24-30 AWG	1.52 DIA MAX
70058-1096	LOOSE			
70058-0082	REEL	207 0.38 GOLD		
70058-0097	LOOSE			
70058-0083	REEL	206 0.75 GOLD		
70058-0098	LOOSE			

THIS DRAWING CONTAINS INFORMATION THAT IS PROPRIETARY TO MOLEX ELECTRONIC TECHNOLOGIES, LLC AND SHOULD NOT BE USED WITHOUT WRITTEN PERMISSION

DIMENSION UNITS mm	SCALE 8:1	CURRENT REV DESC: OBSOLETE PART NUMBER AS PER PCN#508517	molex		
GENERAL TOLERANCES (UNLESS SPECIFIED)		EC NO: 667105 DRWN: SUGEEB CHK'D: GGA APPR: GGA			
ANGULAR TOL ± °	4 PLACES ±	INITIAL REVISION:	PRODUCT CUSTOMER DRAWING		
3 PLACES ±	2 PLACES ± 0.15	DRWN: KSAMIEC APPR: FSMITH	2017/05/03 2017/06/16	DOCUMENT NUMBER 700580000-SD	DOC TYPE DOC PART REVISION PSD 000 B2
1 PLACE ± 0.25	0 PLACES ± 0.0	DRAFT WHERE APPLICABLE MUST REMAIN WITHIN DIMENSIONS	THIRD ANGLE PROJECTION	DRAWING B-SIZE	SERIES 70058
MATERIAL NUMBER SEE TABLE		CUSTOMER GENERAL MARKET	SHEET NUMBER 1 OF 4		



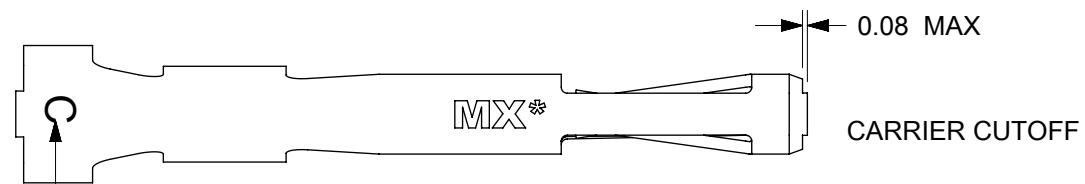
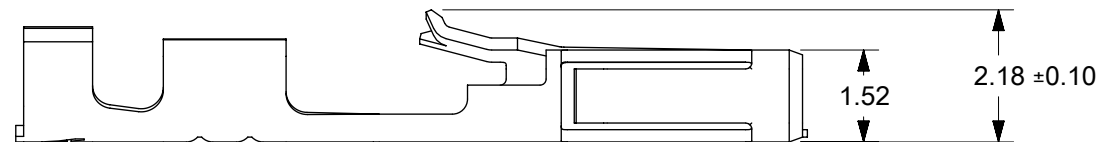
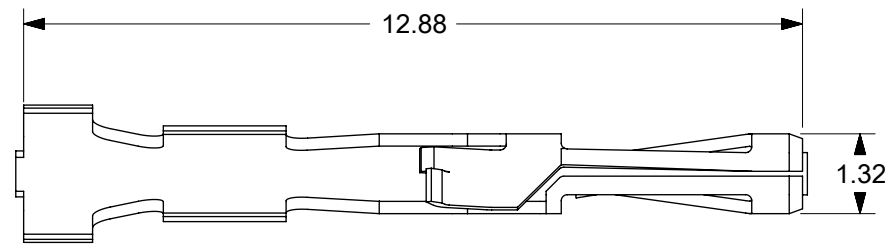
NOTES:

1. MATERIAL: PHOSPHOR BRONZE
2. PLATING:
 - 124 = SELECT BRIGHT TIN: 3.75 MICROMETERS MIN OVER NICKEL
 - 207 = SELECT HARD GOLD: 0.38 MICROMETERS MIN.
SELECT TIN: 2.0 MICROMETERS MIN BOTH OVER NICKEL
 - 206 = SELECT HARD GOLD: 0.75 MICROMETERS MIN.
SELECT TIN: 2.0 MICROMETERS MIN BOTH OVER NICKEL
 - P124 = PREPLATED OVERALL BRIGHT TIN: 3.75 MICROMETERS MIN OVER NICKEL
(MAY HAVE UNPLATED EDGES)
3. PRODUCT SPECIFICATION: TERMINALS CONFORM TO PS-70058 AND PS-70400 WHEN CRIMPED WITH MOLEX CRIMP TOOLS.
4. COSMETIC SPECIFICATION: PS-45499-002 CLASS B
5. TERMINAL FOR USE WITH HOUSING SERIES 70066 AND 70450
6. WIRE SPECIFICATION: TERMINALS STAMPED WITH THE LETTER:
 - A = ACCEPTS 24-30 AWG STRANDED WIRE WITH A 1.52 MAX INSULATION DIA
 - B = ACCEPTS 32-36 AWG STRANDED WIRE WITH A 0.64 MAX INSULATION DIA.
 - C = ACCEPTS 22-24 AWG STRANDED WIRE WITH A 1.63 MAX INSULATION DIA

**TERMINALS ON THIS SHEET ARE FOR USE
WITH 32-36 AWG WIRE.
SEE SHEETS 1 AND 3 FOR OTHER WIRE SIZES**

MATERIAL NO:	PACKAGING	PLATING SEE NOTE 2	WIRE SIZE	MAX INSULATION DIA
70058-1084	REEL	124 SELECT TIN	32 - 36 AWG	0.64 DIA MAX
70058-1099	LOOSE			
70058-0074	REEL	207 0.38 GOLD		
70058-0100	LOOSE			
70058-0085	REEL	206 0.75 GOLD		
70058-0101	LOOSE			

THIS DRAWING CONTAINS INFORMATION THAT IS PROPRIETARY TO MOLEX ELECTRONIC TECHNOLOGIES, LLC AND SHOULD NOT BE USED WITHOUT WRITTEN PERMISSION									
DIMENSION UNITS	SCALE	CURRENT REV DESC: OBSOLETE PART NUMBER AS PER PCN#508517			molex				
mm	8:1								
GENERAL TOLERANCES (UNLESS SPECIFIED)		EC NO: 667105			SL CRIMP TERMINAL (32-36 AWG WIRE)				
ANGULAR TOL ± °		DRWN: SUGEEB 2021/05/27							
4 PLACES ±		CHK'D: GGA 2021/06/29			PRODUCT CUSTOMER DRAWING				
3 PLACES ±		APPR: GGA 2021/06/29							
2 PLACES ± 0.15		INITIAL REVISION:			DOCUMENT NUMBER				
1 PLACE ± 0.25		DRWN: KSAMIEC 2017/05/03							
0 PLACES ± 0.0		APPR: FSMITH 2017/06/16			700580000-SD PSD 000 B2				
DRAFT WHERE APPLICABLE MUST REMAIN WITHIN DIMENSIONS		THIRD ANGLE PROJECTION	DRAWING	SERIES					
			B-SIZE	70058	SEE TABLE		GENERAL MARKET		2 OF 4



TERMINALS STAMPED WITH THE LETTER "C"
ACCEPT 22-24 AWG WIRE WITH A 1.63 MAX INSULATION DIA



NOTES:

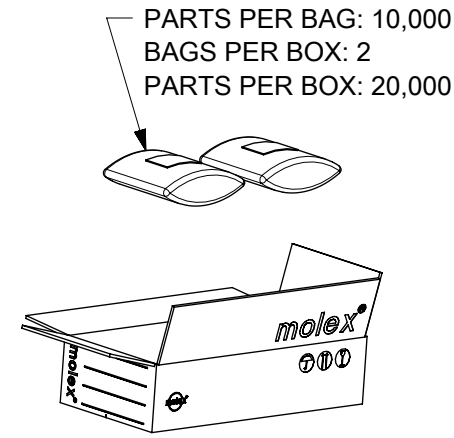
- MATERIAL: PHOSPHOR BRONZE
- PLATING:
 - 124 = SELECT BRIGHT TIN: 3.75 MICROMETERS MIN OVER NICKEL
 - 207 = SELECT HARD GOLD: 0.38 MICROMETERS MIN.
SELECT TIN: 2.0 MICROMETERS MIN BOTH OVER NICKEL
 - 206 = SELECT HARD GOLD: 0.75 MICROMETERS MIN.
SELECT TIN: 2.0 MICROMETERS MIN BOTH OVER NICKEL
 - P124 = PREPLATED OVERALL BRIGHT TIN: 3.75 MICROMETERS MIN OVER NICKEL
(MAY HAVE UNPLATED EDGES)
- PRODUCT SPECIFICATION: TERMINALS CONFORM TO PS-70058 AND PS-70400 WHEN CRIMPED WITH MOLEX CRIMP TOOLS.
- COSMETIC SPECIFICATION: PS-45499-002 CLASS B
- TERMINAL FOR USE WITH HOUSING SERIES 70066 AND 70450
- WIRE SPECIFICATION: TERMINALS STAMPED WITH THE LETTER:
 - A = ACCEPTS 24-30 AWG STRANDED WIRE WITH A 1.52 MAX INSULATION DIA
 - B = ACCEPTS 32-36 AWG STRANDED WIRE WITH A 0.64 MAX INSULATION DIA.
 - C = ACCEPTS 22-24 AWG STRANDED WIRE WITH A 1.63 MAX INSULATION DIA

TERMINALS ON THIS SHEET ARE FOR USE
WITH 22-24 AWG WIRE.
SEE SHEETS 1 AND 2 FOR OTHER WIRE SIZES

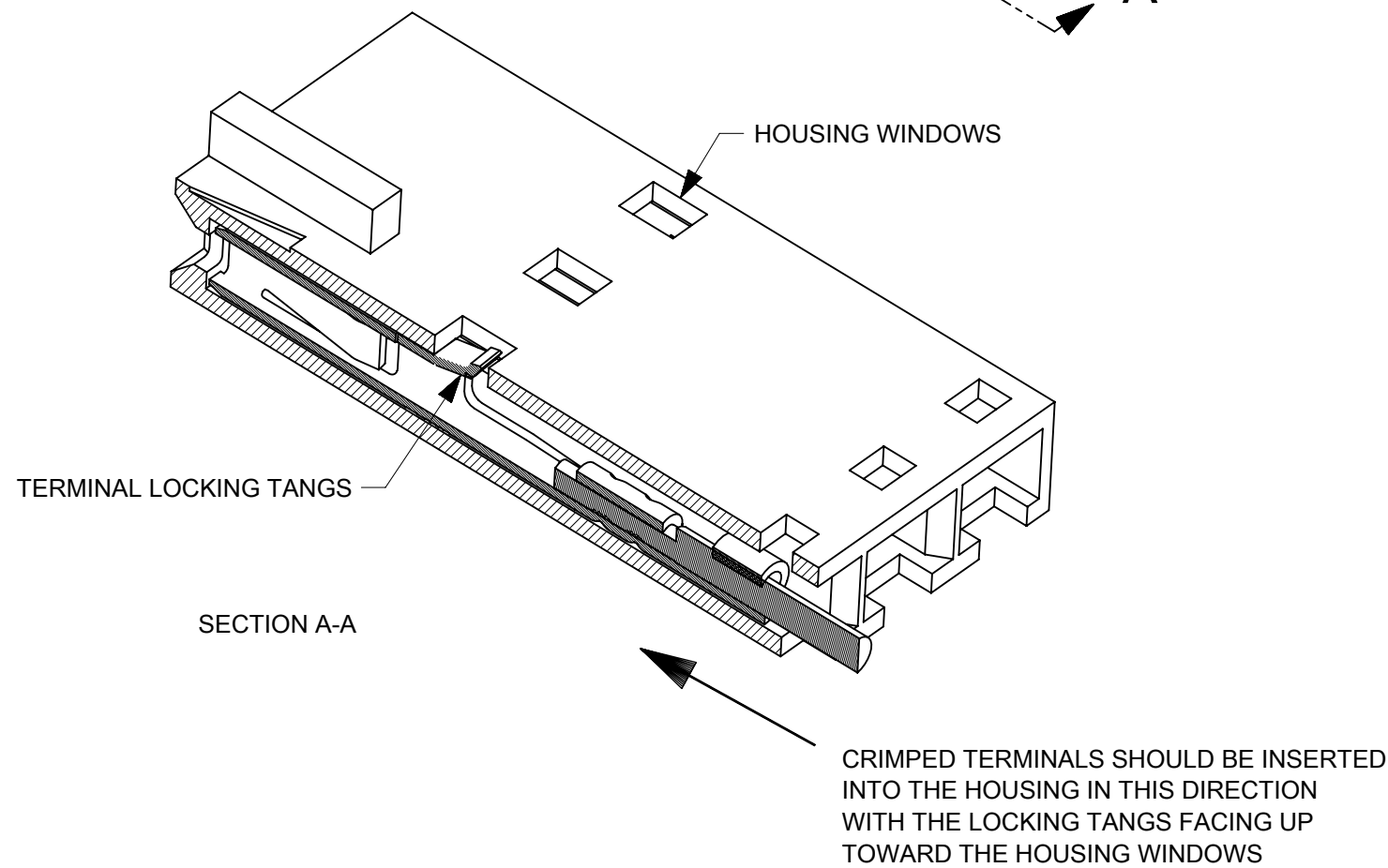
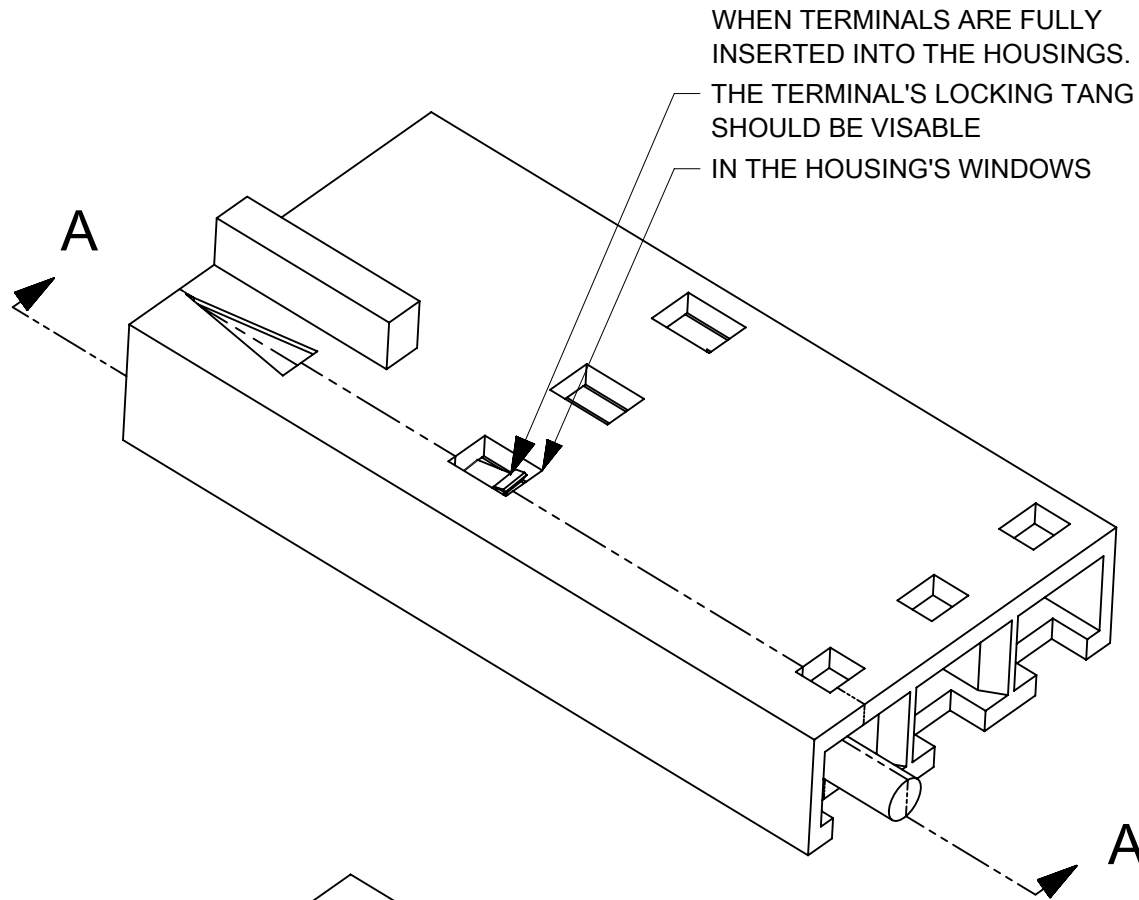
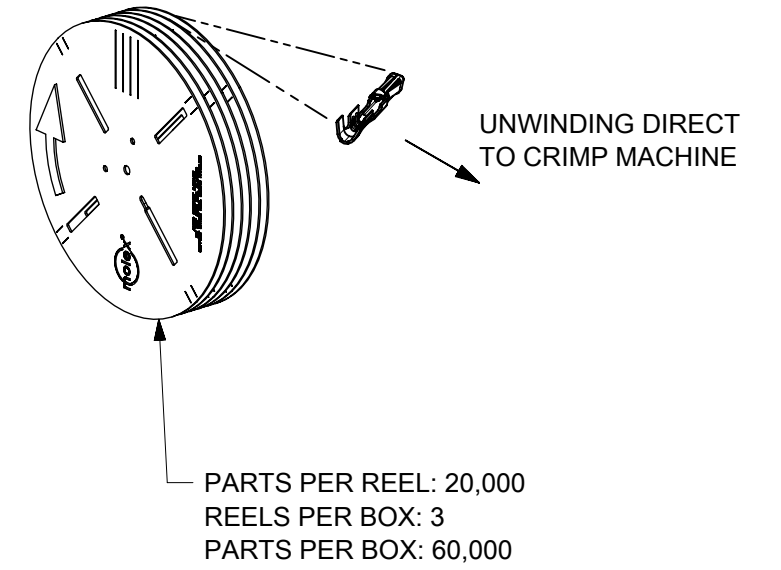
MATERIAL NO:	PACKAGING	PLATING SEE NOTE 2	WIRE SIZE	MAX INSULATION DIA
70058-1086	REEL	124 SELECT TIN	22-24 AWG	1.63 DIA MAX
70058-1102	LOOSE			
70058-0086	REEL	P124 OVERALL TIN		
70058-0102	LOOSE			
70058-0087	REEL	207 0.38 GOLD		
70058-0103	LOOSE			
70058-0088	REEL	206 0.75 GOLD		
70058-0104	LOOSE			

THIS DRAWING CONTAINS INFORMATION THAT IS PROPRIETARY TO MOLEX ELECTRONIC TECHNOLOGIES, LLC AND SHOULD NOT BE USED WITHOUT WRITTEN PERMISSION									
DIMENSION UNITS	SCALE	CURRENT REV DESC: OBSOLETE PART NUMBER AS PER PCN#508517			molex				
mm	8:1								
GENERAL TOLERANCES (UNLESS SPECIFIED)		EC NO: 667105			SL CRIMP TERMINAL (22-24 AWG WIRE)				
ANGULAR TOL ± °		DRWN: SUGEEB 2021/05/27							
4 PLACES ±		CHK'D: GGA 2021/06/29			PRODUCT CUSTOMER DRAWING				
3 PLACES ±		APPR: GGA 2021/06/29							
2 PLACES ± 0.15		INITIAL REVISION:			DOCUMENT NUMBER				
1 PLACE ± 0.25		DRWN: KSAMIEC 2017/05/03							
0 PLACES ± 0.0		APPR: FSMITH 2017/06/16			700580000-SD PSD 000 B2				
DRAFT WHERE APPLICABLE MUST REMAIN WITHIN DIMENSIONS		THIRD ANGLE PROJECTION	DRAWING	SERIES					
			B-SIZE	70058	SEE TABLE	GENERAL MARKET			3 OF 4

LOOSE PACKED



REEL PACKED



THIS DRAWING CONTAINS INFORMATION THAT IS PROPRIETARY TO MOLEX ELECTRONIC TECHNOLOGIES, LLC AND SHOULD NOT BE USED WITHOUT WRITTEN PERMISSION									
DIMENSION UNITS	SCALE	CURRENT REV DESC: OBSOLETE PART NUMBER AS PER PCN#508517				molex			
mm	1:15								
GENERAL TOLERANCES (UNLESS SPECIFIED)		EC NO: 667105				SL CRIMP TERMINAL			
ANGULAR TOL	± °	DRWN: SUGEEB 2021/05/27							
4 PLACES	±	CHK'D: GGA 2021/06/29				PRODUCT CUSTOMER DRAWING			
3 PLACES	±	APPR: GGA 2021/06/29							
2 PLACES	± 0.15	INITIAL REVISION:				DOCUMENT NUMBER			
1 PLACE	± 0.25	DRWN: KSAMIEC 2017/05/03				700580000-SD			
0 PLACES	± 0.0	APPR: FSMITH 2017/06/16				PSD 000 B2			
DRAFT WHERE APPLICABLE MUST REMAIN WITHIN DIMENSIONS		THIRD ANGLE PROJECTION	DRAWING	SERIES	MATERIAL NUMBER	CUSTOMER	SHEET NUMBER		
			B-SIZE	70058	SEE TABLE	GENERAL MARKET	4 OF 4		