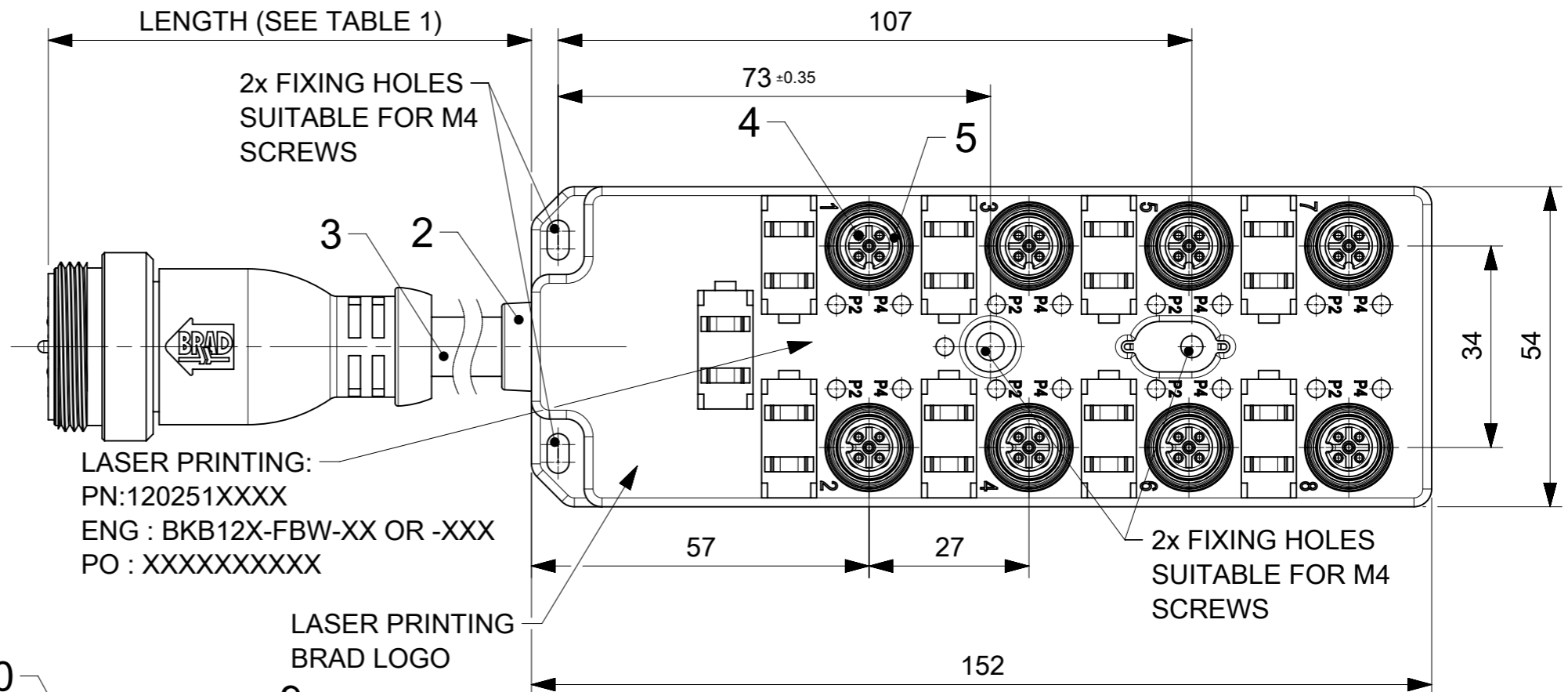
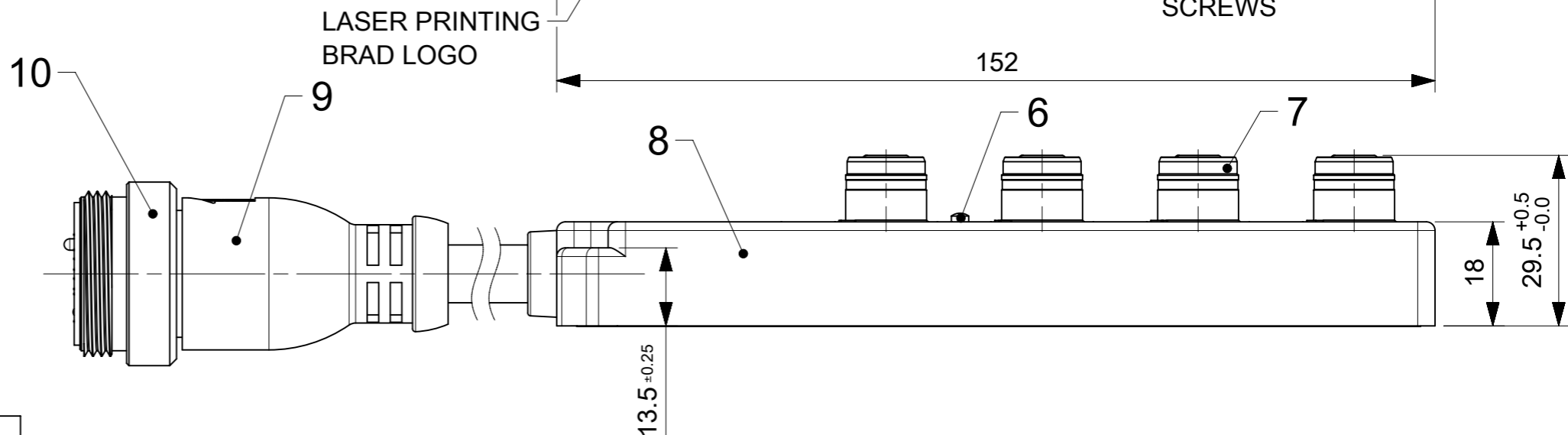
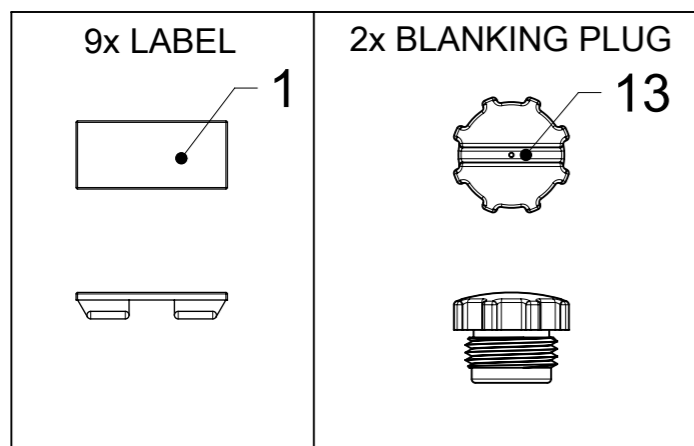


TABLE 1

MOLEX P/N	ENG. NO.	CABLE LENGTH (mm)	LED
1202510097	BKB8120-FBW-003	300	NO
1202510098	BKB8120-FBW-01	1000	NO
1202510099	BKB8120-FBW-050	5000	NO
1202510100	BKB8120-FBW-10	10000	NO
1202510101	BKB812N-FBW-003	300	YES
1202510102	BKB812N-FBW-01	1000	YES
1202510103	BKB812N-FBW-05	5000	YES
1202510104	BKB812N-FBW-10	10000	YES
1202510105	BKB812P-FBW-003	300	YES
1202510106	BKB812P-FBW-01	1000	YES
1202510107	BKB812P-FBW-05	5000	YES
1202510108	BKB812P-FBW-10	10000	YES



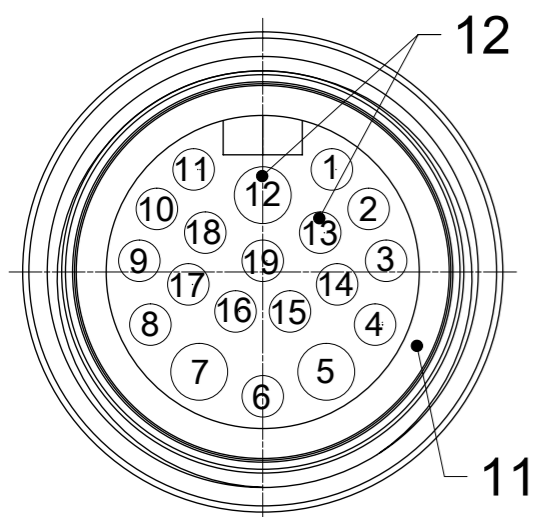
PACKED IN A BAG



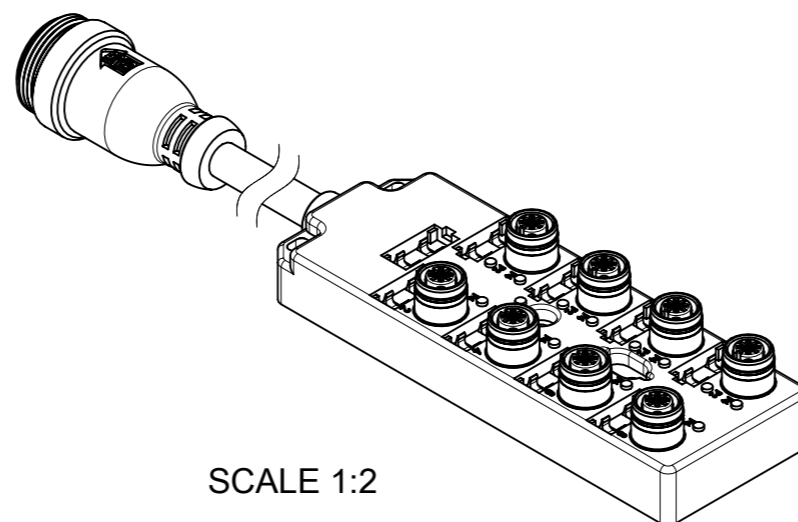
WIRING DIAGRAM

PIN	COLOR
1	VIOLET
2	RED
3	GREY
4	RED/BLUE
5	BLUE
6	GREEN
7	BROWN
8	WHITE/GREEN
9	WHITE/YELLOW
10	WHITE/GREY
11	BLACK
12	YELLOW/GREEN
13	YELLOW/BROWN
14	BROWN/GREEN
15	WHITE
16	YELLOW
17	PINK
18	GREY/BROWN
19	GREY/PINK

19 POLE MALE  
FACE VIEW



SCALE 2:1



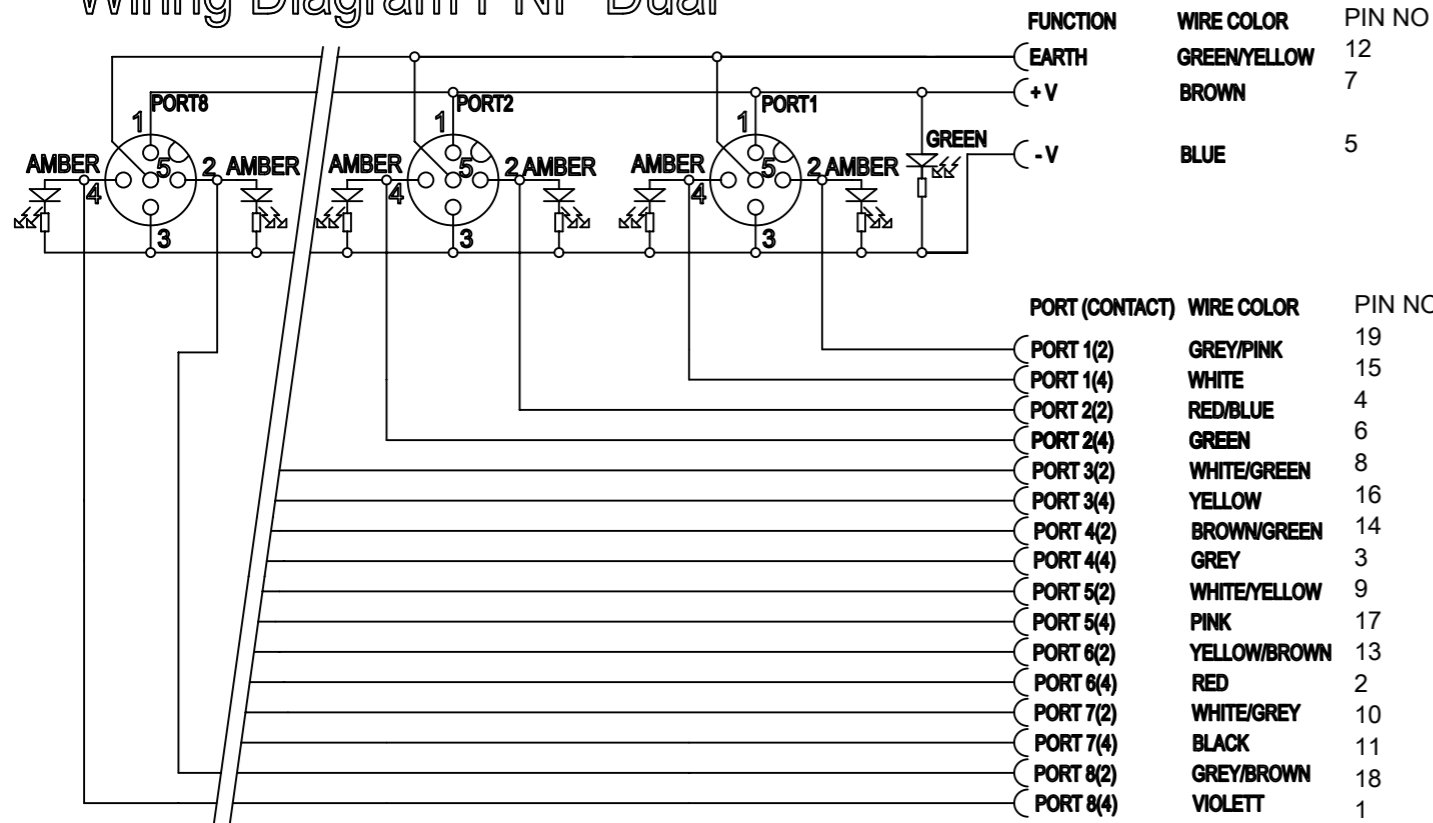
GENERAL CHARACTERISTICS:

ELECTRICAL AND MECHANICAL DATA ACC. TO IEC 61076-2-101

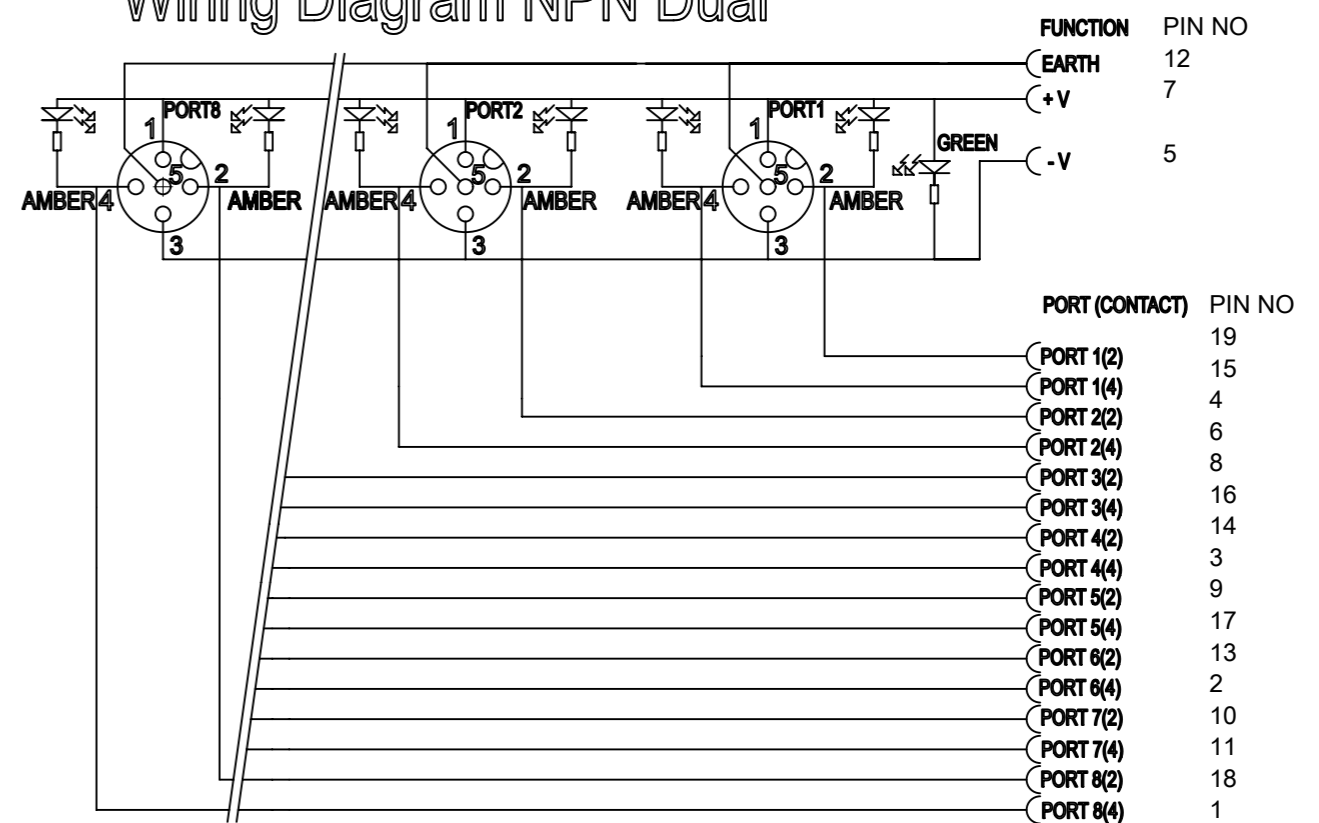
NOMINAL VOLTAGE: 10-30 V DC  
 AMPERE RATING: 4 A PER PORT / 12 A MAX  
 AMPERE RATING WITH UL REGISTRATION: 3 A PER PORT / 9 A MAX  
 IP DEGREE OF PROTECTION: IP 67  
 TEMPERATURE RANGE: -25°C to + 85°C

FUNCTIONAL SYMBOLS	THIS DRAWING CONTAINS INFORMATION THAT IS PROPRIETARY TO MOLEX ELECTRONIC TECHNOLOGIES, LLC AND SHOULD NOT BE USED WITHOUT WRITTEN PERMISSION		CURRENT REV DESC:		<b>molex</b>
	△/A = 0	mm	SCALE 1:1		
DIVISIONAL SYMBOLS	GENERAL TOLERANCES (UNLESS SPECIFIED)		EC NO: 698219		MPIS U12 NOS 5P 8PT 0.3M MC 19P BK
	△/E = 0	ANGULAR TOL ± 1.0°		DRWN: SSM 2022/01/27	
4 PLACES ±		3 PLACES ±		PRODUCT CUSTOMER DRAWING	
2 PLACES ± 0.05		1 PLACE ± 0.3		DOCUMENT NUMBER	
0 PLACES ± 0.5		DRAFT WHERE APPLICABLE MUST REMAIN WITHIN DIMENSIONS		1202510097	
THIRD ANGLE PROJECTION		DRAWING A3-SIZE		DOC TYPE DOC PART REVISION	
SERIES 120251		MATERIAL NUMBER SEE TABLE 1		PSD 000 A4	
CUSTOMER GENERAL MARKET		SHEET NUMBER 1 OF 2			

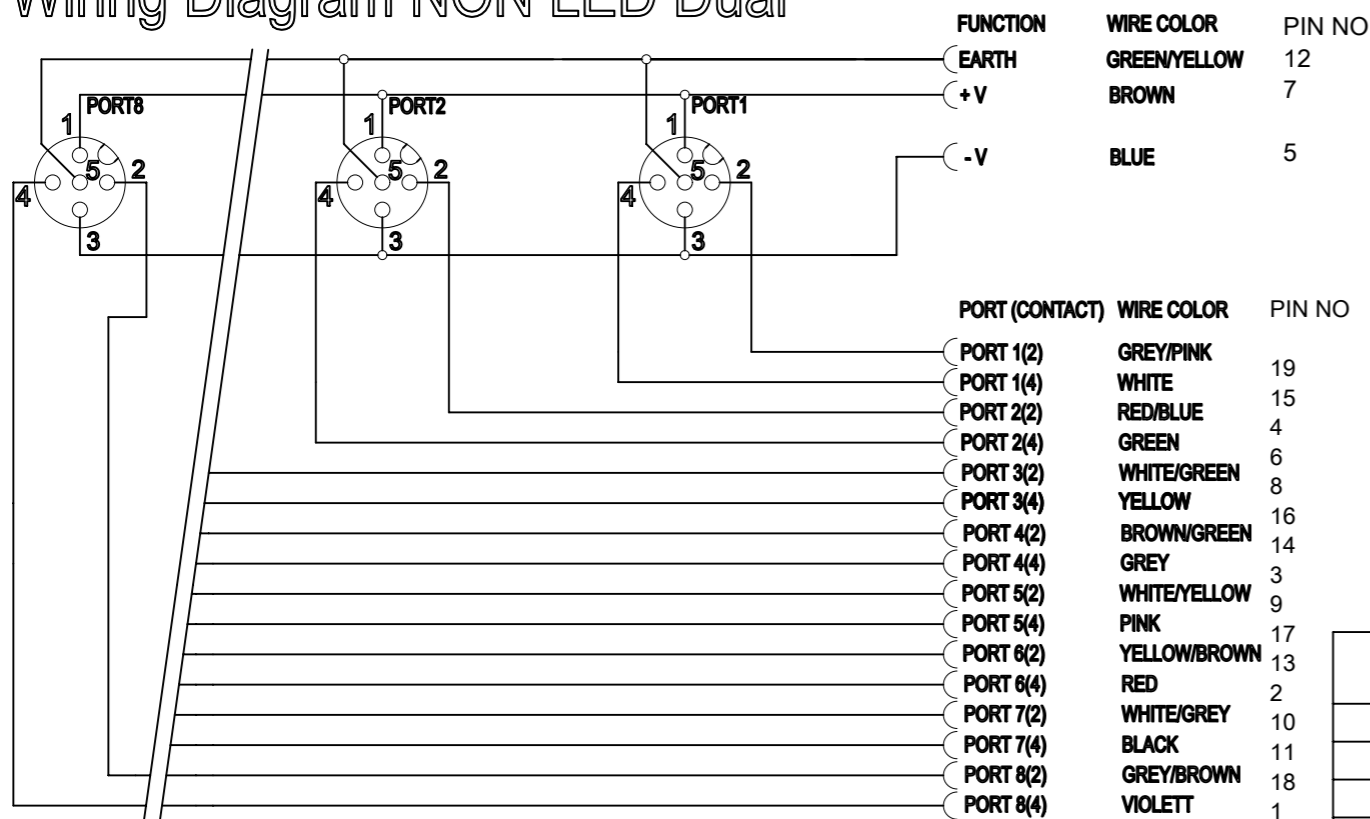
# Wiring Diagram PNP Dual



# Wiring Diagram NPN Dual



# Wiring Diagram NON LED Dual



## BILL OF MATERIAL

ITEM	QTY	DESCRIPTION	MATERIAL	FINISH
1	9	LABEL	ABS	WHITE
2	1	CABLE PLATE	PBT	BLACK
3	-	CABLE	TPU BASED	BLACK
4	40	CONTACT	BRASS	GOLD OVER NICKEL
5	8	O-RING	FPM	RED
6	17	LED (SEE TABLE 1)	NO LED = PA WITH LED = PA	BLACK TRANSPARENT
7	8	SHELL	BRASS	NICKEL PLATED
8	1	HOUSING	PBT	BLACK
9	-	OVERMOLDING	PVC	YELLOW
10	1	COUPLING NUT	ZINC DIE CAST	BLACK
11	1	INSERT 19 POLE	PVC	YELLOW
12	19	CONTACT	BRASS	GOLD OVER NICKEL
13	2	ACC PCAP M12 FE	PA	BLACK

## CABLE LENGTH TOLERANCES

LENGTH [m]	TOLERANCE [mm]
0-1	+40
>1-5	+60
>5-10	+80
>10-20	+140
>20-30	+160
>30	+1% length

FUNCTIONAL SYMBOLS √A = 0 √E = 0 √V = 0	THIS DRAWING CONTAINS INFORMATION THAT IS PROPRIETARY TO MOLEX ELECTRONIC TECHNOLOGIES, LLC AND SHOULD NOT BE USED WITHOUT WRITTEN PERMISSION	CURRENT REV DESC:	
	DIMENSION UNITS: mm SCALE: 1:1	GENERAL TOLERANCES (UNLESS SPECIFIED): ANGULAR TOL ± 1.0° 4 PLACES ± 3 PLACES ± 2 PLACES ± 0.05 1 PLACE ± 0.3 0 PLACES ± 0.5	
DIVISIONAL SYMBOLS	EC NO: 698219 DRWN: SSM CHK'D: RSILLER APPR: RSILLER	2022/01/27 2022/03/04 2022/03/04	
DRAFT WHERE APPLICABLE MUST REMAIN WITHIN DIMENSIONS	THIRD ANGLE PROJECTION	DRAWING: A3-SIZE SERIES: 120251	
DOCUMENT NUMBER: 1202510097		DOC TYPE: PSD	DOC PART: 000
CUSTOMER: GENERAL MARKET		REVISION: A4	
SHEET NUMBER: 2 OF 2			