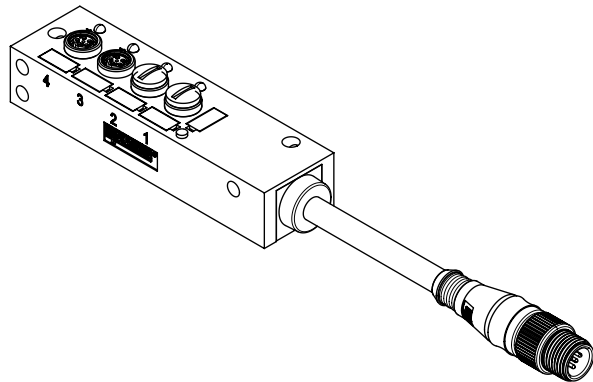
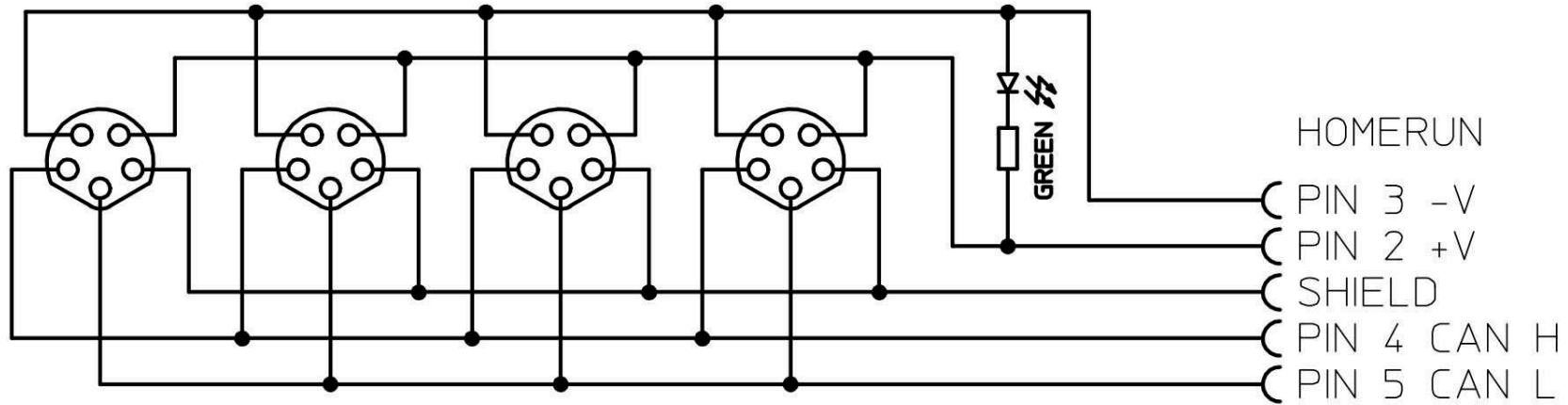
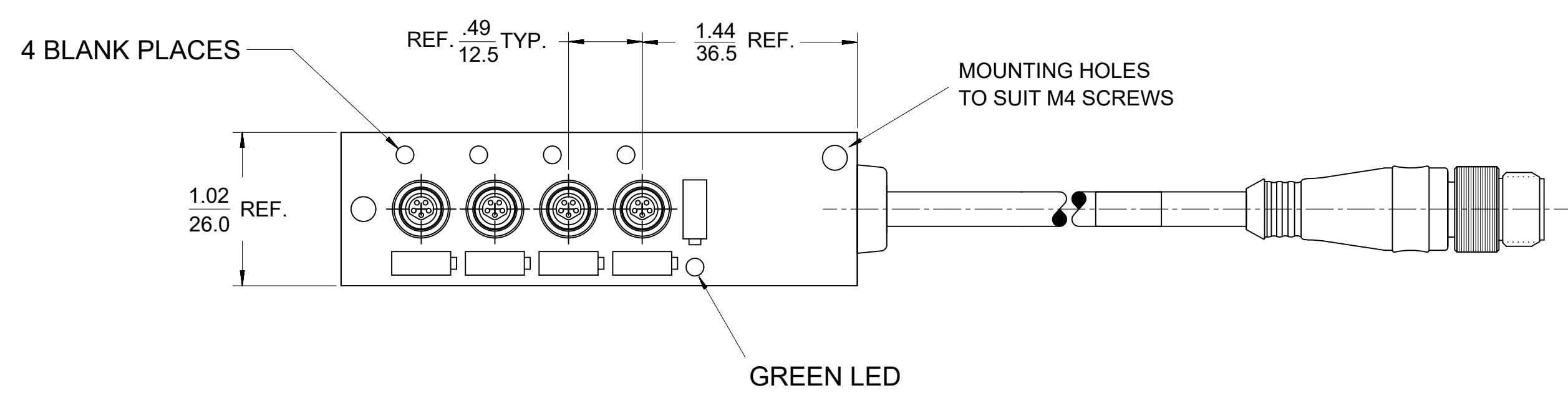
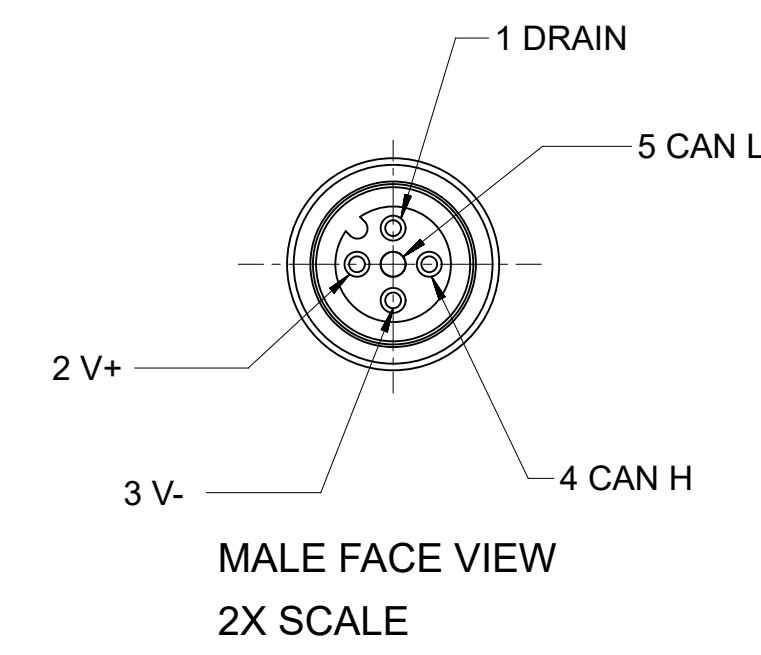
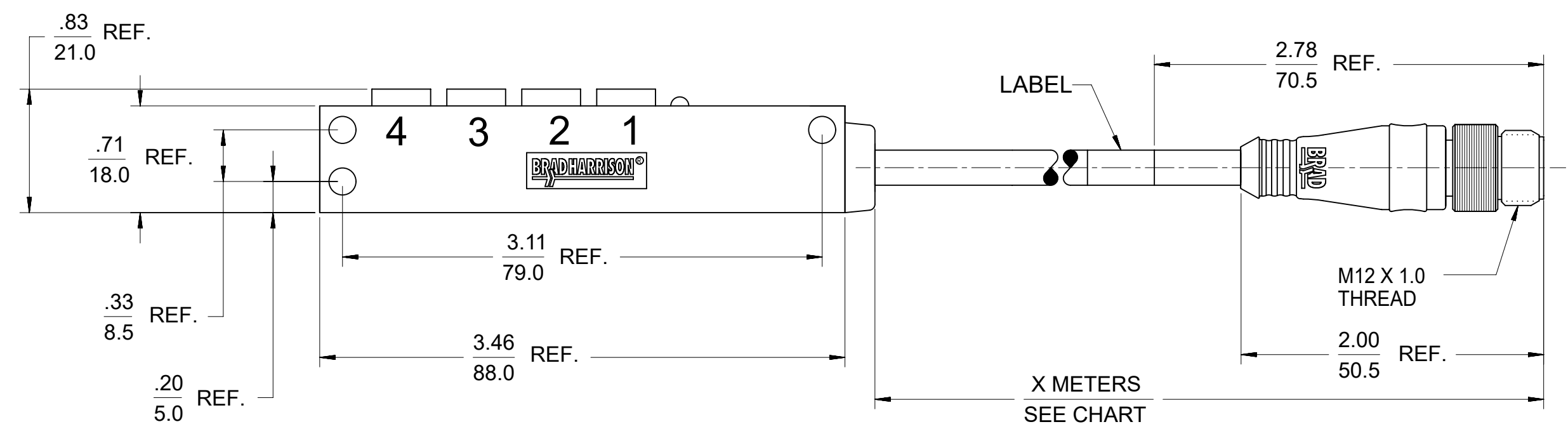


ELECTRICAL DIAGRAM



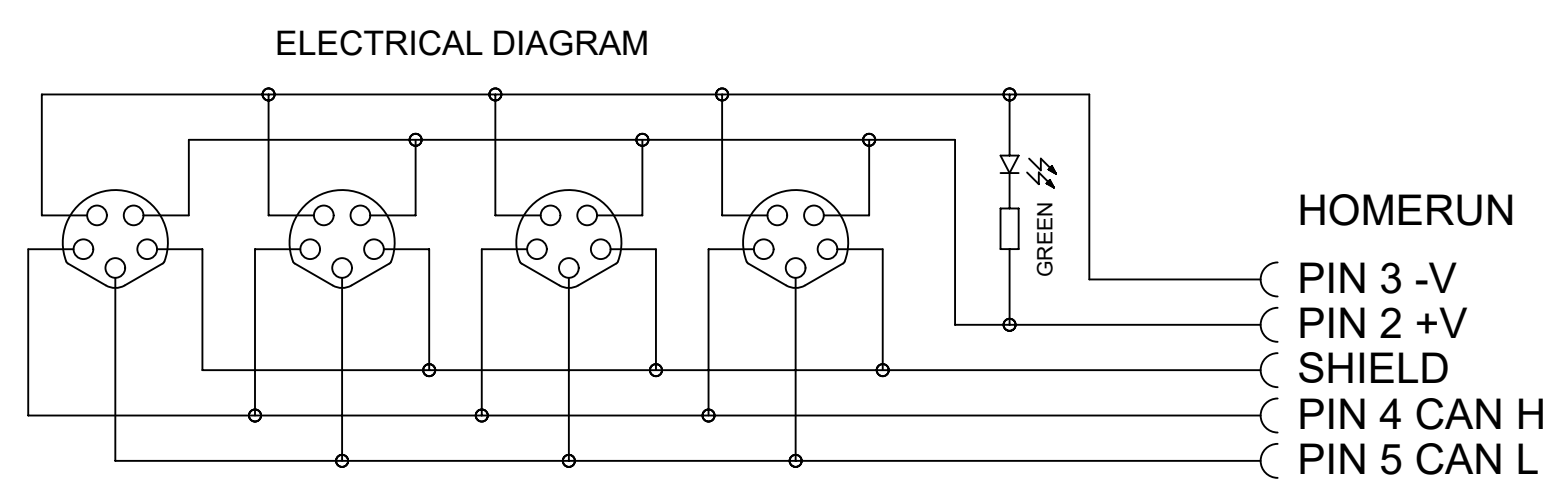
SYMBOLS	THIS DRAWING CONTAINS INFORMATION THAT IS PROPRIETARY TO MOLEX ELECTRONIC TECHNOLOGIES, LLC AND SHOULD NOT BE USED WITHOUT WRITTEN PERMISSION											
	DIMENSION UNITS		SCALE		CURRENT REV DESC: MIGRATED TO ECTR							
∇ = 0	mm		1:2		EC NO: 611500 DRWN: SSM 2019/01/31 CHK'D: RSILLER 2019/02/05 APPR: RSILLER 2019/02/05							
∇ = 0	GENERAL TOLERANCES (UNLESS SPECIFIED)										INITIAL REVISION: DRWN: SSM 2019/01/31 APPR: RSILLER 2019/02/05	
∇ = 0	ANGULAR TOL ± 2.0°				DOCUMENT NUMBER		DOC TYPE		DOC PART			
∇ = 0	4 PLACES ±		0.3		1300380028		PSD		000		A	
∇ = 0	3 PLACES ±		0.3		MATERIAL NUMBER		CUSTOMER		SHEET NUMBER			
∇ = 0	2 PLACES ±		0.3		1300380028		GENERAL MARKET		2 OF 2			
∇ = 0	1 PLACE ±		0.3		A4-SIZE		130038					
∇ = 0	0 PLACES ±		0.3		THIRD ANGLE PROJECTION		DRAWING		SERIES			
∇ = 0	DRAFT WHERE APPLICABLE MUST REMAIN WITHIN DIMENSIONS											

MATERIAL NO.	ENGINEERING P/N	LENGTH
1300380028	BG19378-M003	0.3M ±25mm



CUSTOMER PRODUCTION APPROVAL
 APPROVED BY: _____
 DATE: _____
 MUST BE SIGNED AND RETURNED BEFORE
 PRODUCTION WILL BEGIN.

SALES DRAWING



SPECIFICATION

MATERIALS MPIS UNIT:
 HOUSING : YELLOW PBT (GLASS FILLED)
 PORT RECEPTACLES: BRASS-NICKEL PLATED
 PORT INSERTS: PUR (GLASS FILLED)
 CONTACTS: BRASS, GOLD PLATE
 O-RING: VITON
 MATERIALS:HOME RUN CONNECTOR
 CABLE: DEVICENET MID PVC CABLE
 INSERT: BLACK NYLON
 BODY: GREY PVC
 CONTACT MATERIAL: BRASS
 CONTACT PLATING: GOLD OVER PALLADIUM/NICKEL
 COUPLING NUT: ZINC DIE CAST, EPOXY-COAT
 ELECTRICAL:
 VOLTAGE: 10-30VDC
 CURRENT RATING: 2A PER PORT, 4 AMPS MAX.
 PROTECTION CLASS: IP68

FUNCTIONAL SYMBOLS	THIS DRAWING CONTAINS INFORMATION THAT IS PROPRIETARY TO MOLEX ELECTRONIC TECHNOLOGIES, LLC AND SHOULD NOT BE USED WITHOUT WRITTEN PERMISSION			
	DIMENSION UNITS	SCALE	CURRENT REV DESC: OBSOLETE PART NUMBER AS PER PCN#508521	
$F_A = 0$	IN/MM	NTS	EC NO: 667392 DRWN: ABHISP1 CHK'D: GGA APPR: GGA INITIAL REVISION: DRWN: RSTONE APPR: JFMURPHY	
$F_C = 0$	GENERAL TOLERANCES (UNLESS SPECIFIED)			
$F_P = 0$				
DIVISIONAL SYMBOLS	MM	INCH		
	4 PLACES ±	±		
	3 PLACES ±	±		
	2 PLACES ±	± 0.01		
	1 PLACE ±	0.3 ±		
	0 PLACES ±	±		
	ANGULAR TOL	± 2.0 °		
DRAFT WHERE APPLICABLE MUST REMAIN WITHIN DIMENSIONS		THIRD ANGLE PROJECTION	DRAWING	SERIES
			C-SIZE	130038
DOCUMENT STATUS	P1	RELEASE DATE	2021/07/05	08:39:22
DOCUMENT NUMBER		CUSTOMER	DOC TYPE	DOC PART
SD-130038-005		GENERAL MARKET	PSD	001
MATERIAL NUMBER		SHEET NUMBER	REVISION	
SEE TABLE		1 OF 1	B	