

4

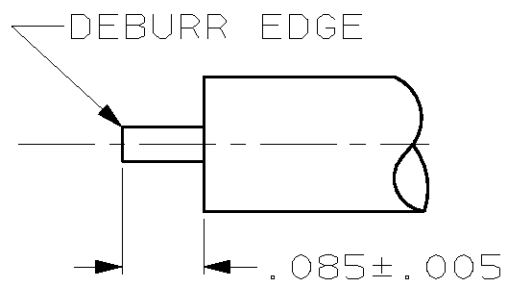
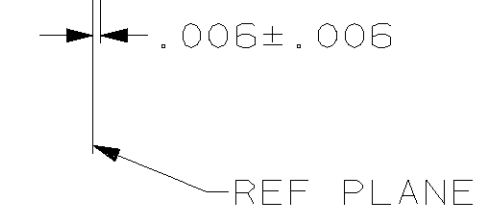
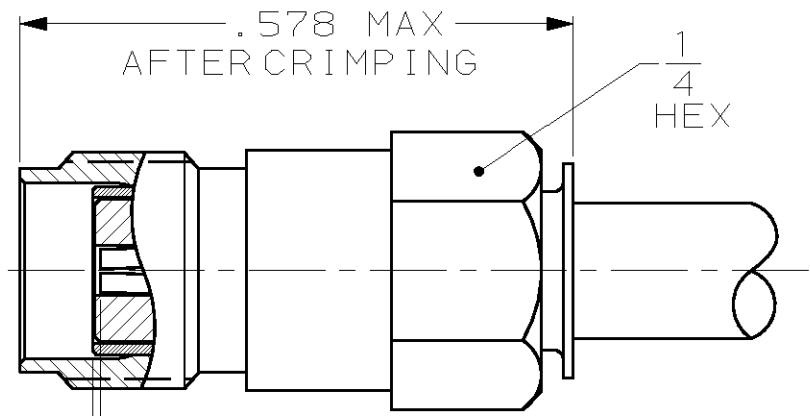
3

2

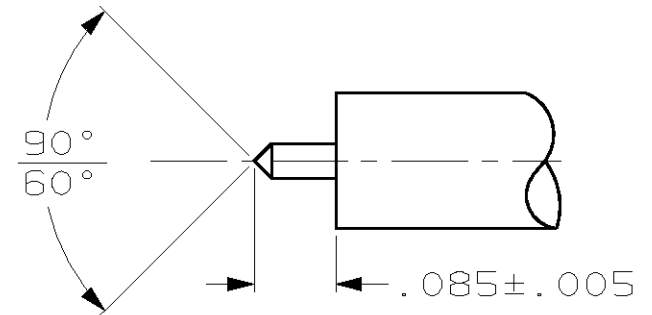
1

THIS DRAWING IS UNPUBLISHED. RELEASED FOR PUBLICATION .19 .
 © COPYRIGHT 19 BY AMP INCORPORATED. ALL RIGHTS RESERVED.

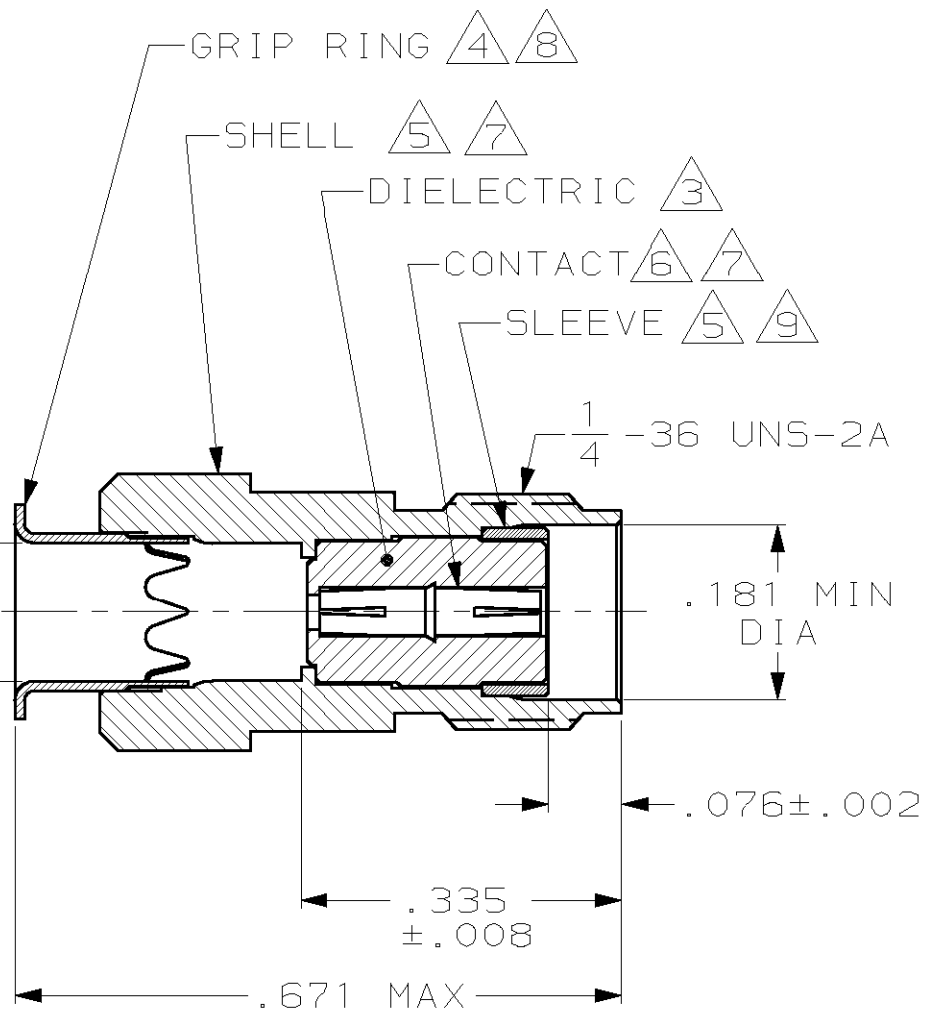
LOC	DIST	REVISIONS			
P	LTR	DESCRIPTION	DATE	DWN	APVD
AJ	16	C	REV PER 0U20-0173-00	07JUN00	MO JH



OPTIONAL STRIP LENGTH



RECOMMENDED STRIP LENGTH



- FOR USE WITH: RG-402/U, .141 SEMI-RIGID CABLE
- SEE I.S. 6788
- PTFE PER ASTM-D-1710.
- BRASS PER ASTM-B-36.
- STAINLESS STEEL PER ASTM-A-582
- BERYLLIUM COPPER PER ASTM-B-197.
- GOLD PL PER MIL-G-45204
- NICKEL PL PER QQ-N-290
- PASSIVATION PER QQ-P-35
- .500 MIN LENGTH OF STRAIGHT CABLE REQUIRED TO APPLY THE CONNECTOR

THIS DRAWING IS A CONTROLLED DOCUMENT.		DWN M. O'BRINE 07JUN00	AMP AMP Incorporated Harrisburg, PA 17105-3608
		CHK J. HAVENER 07JUN00	
		APVD J. HAVENER 07JUN00	NAME
DIMENSIONS: mm		PRODUCT SPEC 108-12055	JACK, SERIES SMA
TOLERANCES UNLESS OTHERWISE SPECIFIED:		APPLICATION SPEC -	RESTRICTED TO
MATERIAL		WEIGHT -	SIZE CAGE CODE DRAWING NO A3 00779 C- 228636-1
FINISH		CUSTOMER DRAWING	SCALE SHEET OF REV 5:1 1 OF 1 C
0 PLC ±- 1 PLC ±- 2 PLC ±- 3 PLC ±- 4 PLC ±- ANGLES ±-			
(3) THRU (6) (7) THRU (9)			