

KEY OPTION

BLACK

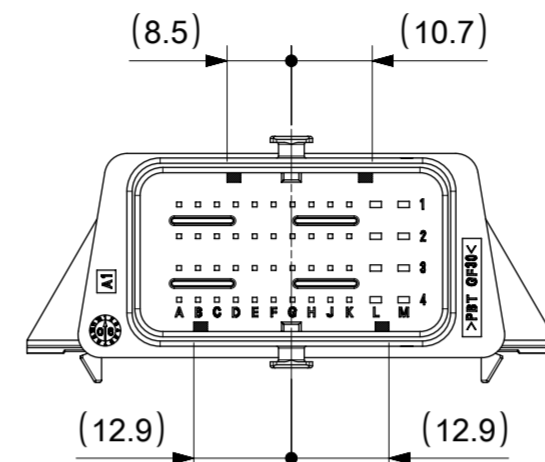
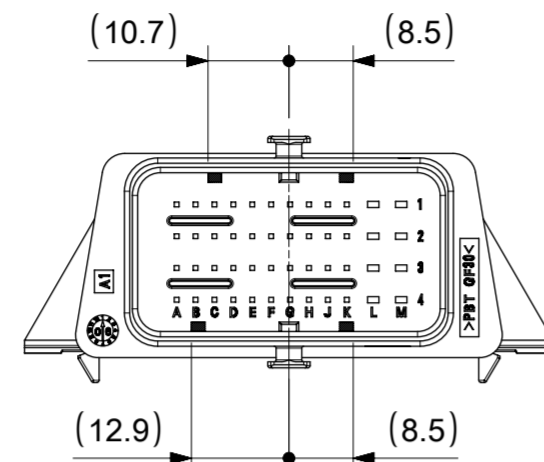
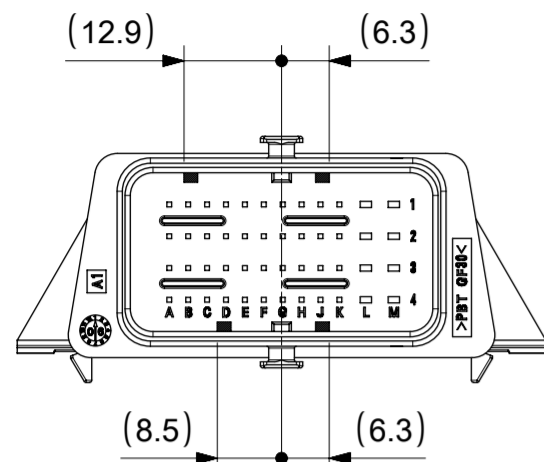
GRAY

BROWN

500762-0481 / 500762-0581

500762-0482 / 500762-0582

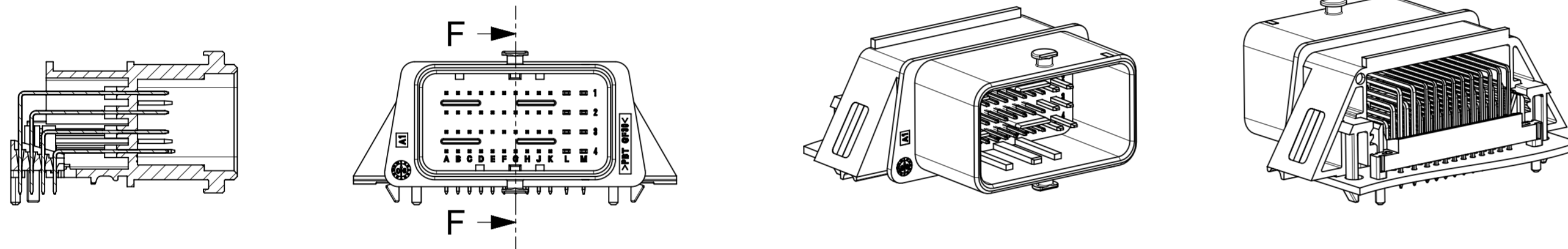
500762-0483 / 500762-0583



NOTES

- ① 1. PLASTIC MATERIAL:
HOUSING: PBT GF30-V0 BLACK (KEY OPTION: BLACK AND BROWN)
PBT GF30-V0 GRAY (KEY OPTION: GRAY)
GUIDE PLATE: PBT GF30-V0 BLACK
- ② 2. PIN 0.64 / 025 :
- FOR P/N 500762-048x :
MATERIAL : PRE-PLATED BRASS C26000 H03 / CuZn30 3/4H
PLATING : Sn 2.0 - 4.0 μm OVER Ni 1.3 - 2.2 μm ON BOTH MATE END AND PCB END

- FOR P/N 500762-058x :
MATERIAL : BRASS C26000 H03 / CuZn30 3/4H
PLATING : Au 0.8 μm mini OVER Ni ON MATE END
Sn 2.0 - 4.0 μm OVER Ni 1.3 - 2.2 μm ON PCB END
- ③ 3. PIN 1.50 / 060 :
- MATERIAL : BRASS C26000 H03 / CuZn30 3/4H
- PLATING : Sn 2.0 - 4.0 μm OVER Ni 1.3 - 3.8 μm ON BOTH MATE END AND PCB END
- 4. RECOMMENDED P.C.B THICKNESS: 1.6±0.1 mm
- 5. PRODUCT SPECIFICATION: REFER TO PS-64319-001



SECTION F-F
Once Mounted Onto the PCB

APPLICABLE CONNECTORS

BROWN	64320-1319	64320-2319	64320-3319	64320-4319
GRAY	64320-1318	Not Tooled	64320-3318	Not Tooled
BLACK	64320-1311	64320-2311	64320-3311	64320-4311
KEY OPTION	CMC 48CKT LEFT	CMC 36CKT LEFT	CMC 48CKT RIGHT	CMC 36CKT RIGHT
LEFT / RIGHT PER CONNECTOR DEFINITION				

HEADER P/N TABLE

BROWN	500762-0483	500762-0583
GRAY	500762-0482	500762-0582 (Not Tooled)
BLACK	500762-0481	500762-0581 (Not Tooled)
↑ KEY OPTION ↑	0.64 / 025 Sn PLATED	0.64 / 025 Au PLATED
MATERIAL NO.		

GENERAL TOLERANCES (UNLESS SPECIFIED)

10 UNDER	±0.2
10 OVER 30 UNDER	±0.25
30 OVER	±0.3
ANGULAR	±2°
DRAFT WHERE APPLICABLE MUST REMAIN WITHIN DIMENSIONS	

637112 D -REVISE PLASTIC & COPPER INFORMATION DESCRIPTION.
-ADD PLATING THICKNESS.
-ADD DIM TOLERANCE FOR CASING INTERFACING.
-ADD PCB SIDE PIN POSITION.
-REFER TO REVISION LETTER ① FOR DETAIL CHANGE.

627497	C1	REMOVE PAP INITIAL POSITION VIEW
621586	C	ADDING P/N -0581 TO -0583
JTR2016-0064 /10760248	B	ADDED KEY OPTION GRAY(500762-0482) D-6, C-1 CHANGED NOTES 1 FOR MATERIAL
JTR2014-0026 /10638694	A	ADDED KEY OPTION BROWN(500762-0483) B-10, C-1
JTR2009-0026 /10379065	0	INITIAL RELEASE
EC#	VERSION	DESCRIPTION

MODIFICATION LOG

THIS DRAWING CONTAINS INFORMATION THAT IS PROPRIETARY TO MOLEX ELECTRONIC TECHNOLOGIES, LLC AND SHOULD NOT BE USED WITHOUT WRITTEN PERMISSION

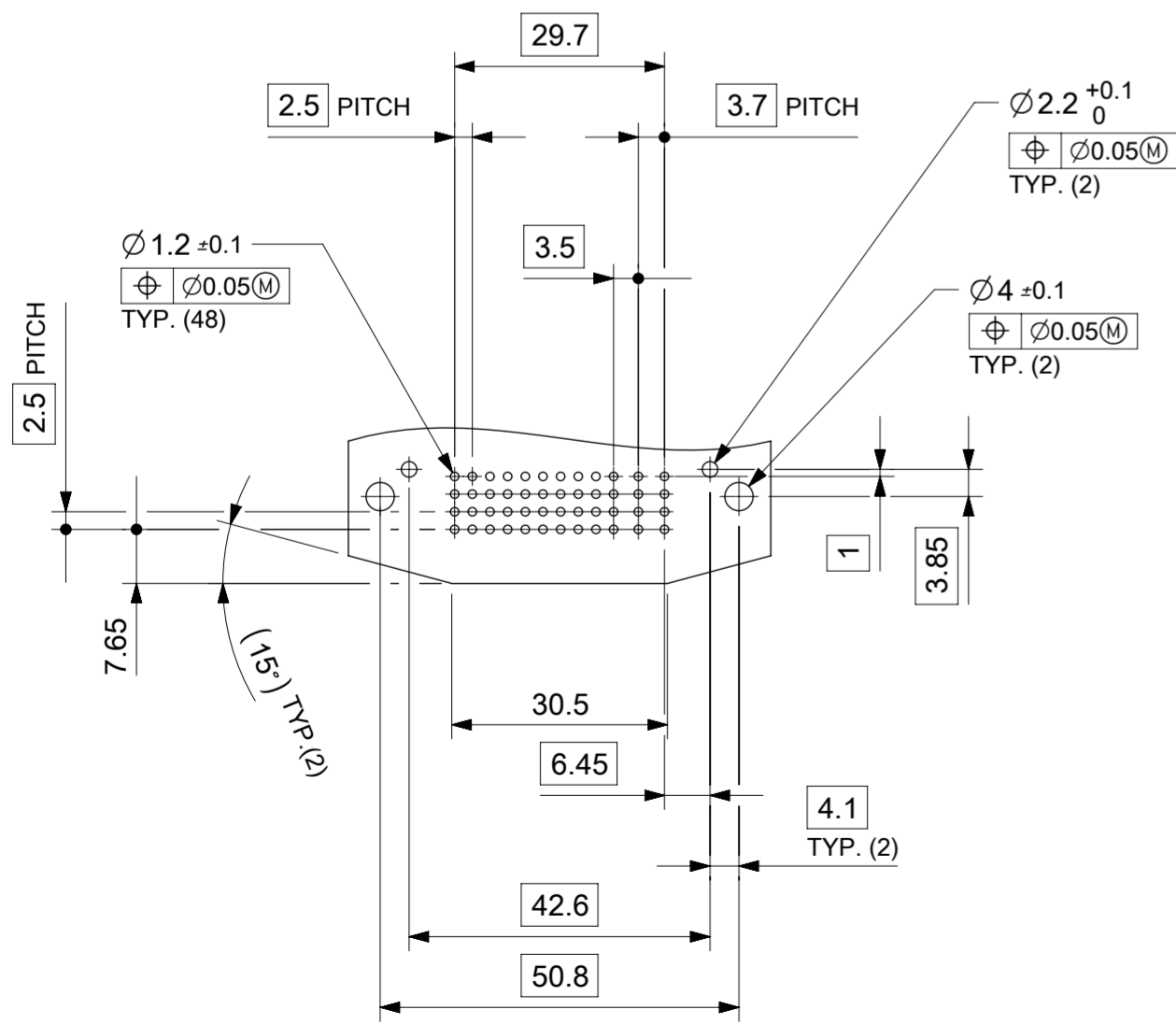
DIMENSION UNITS	SCALE	CURRENT REV DESC: SEE MODIFICATION LOG		
mm	1:1			
GENERAL TOLERANCES (UNLESS SPECIFIED)		<p>EC NO: 637112</p> <p>DRWN: ACOIFFIER 2020/02/12</p> <p>CHK'D: HWBAI 2020/05/14</p> <p>APPR:</p> <p>INITIAL REVISION:</p> <p>DRWN: SANDO 2008/08/08</p> <p>APPR: AKANESHIGE 2008/08/08</p>		
ANGULAR TOL	± °			
4 PLACES	±			
3 PLACES	±			
2 PLACES	±			
1 PLACE	±	<p>DOCUMENT NUMBER: SD-500762-001</p> <p>DOC TYPE: PSD</p> <p>DOC PART: 001</p> <p>REVISION: D</p>		
0 PLACES	±	<p>MATERIAL NUMBER: SEE TABLE</p> <p>CUSTOMER: GENERAL MARKET</p> <p>SHEET NUMBER: 1 OF 2</p>		
DRAFT WHERE APPLICABLE MUST REMAIN WITHIN DIMENSIONS		THIRD ANGLE PROJECTION	DRAWING: A2-SIZE	SERIES: 500762

molex

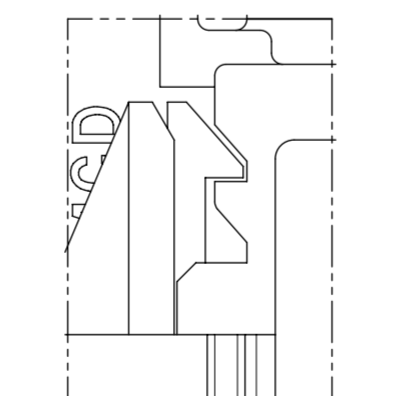
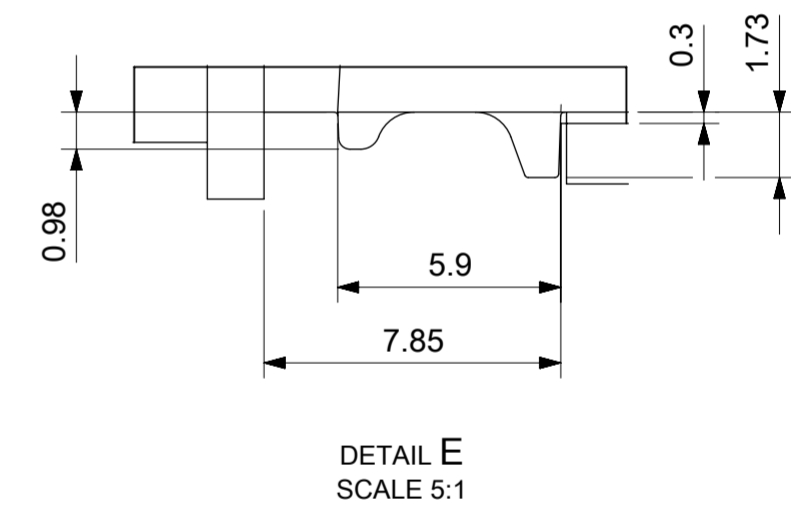
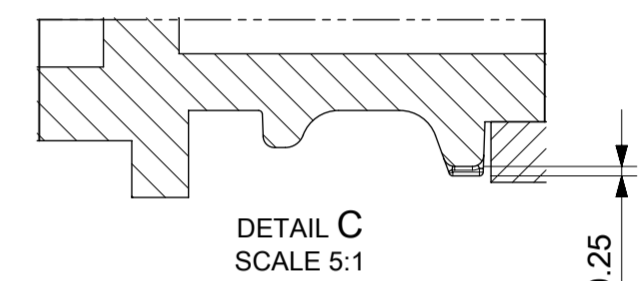
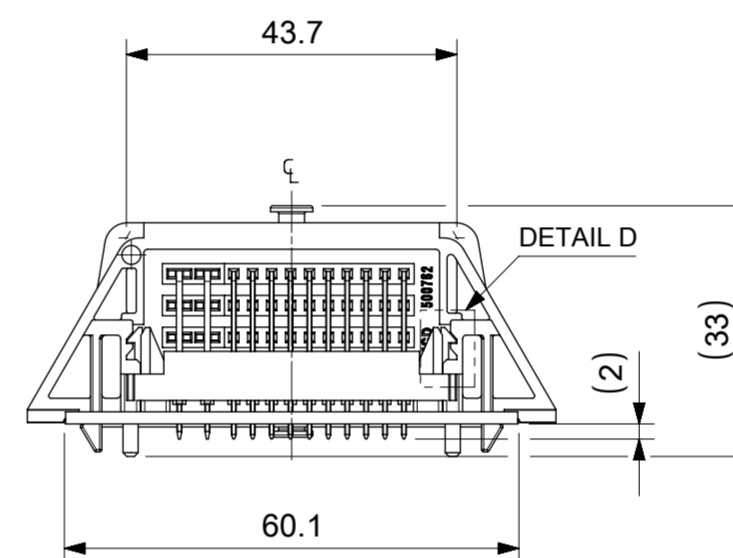
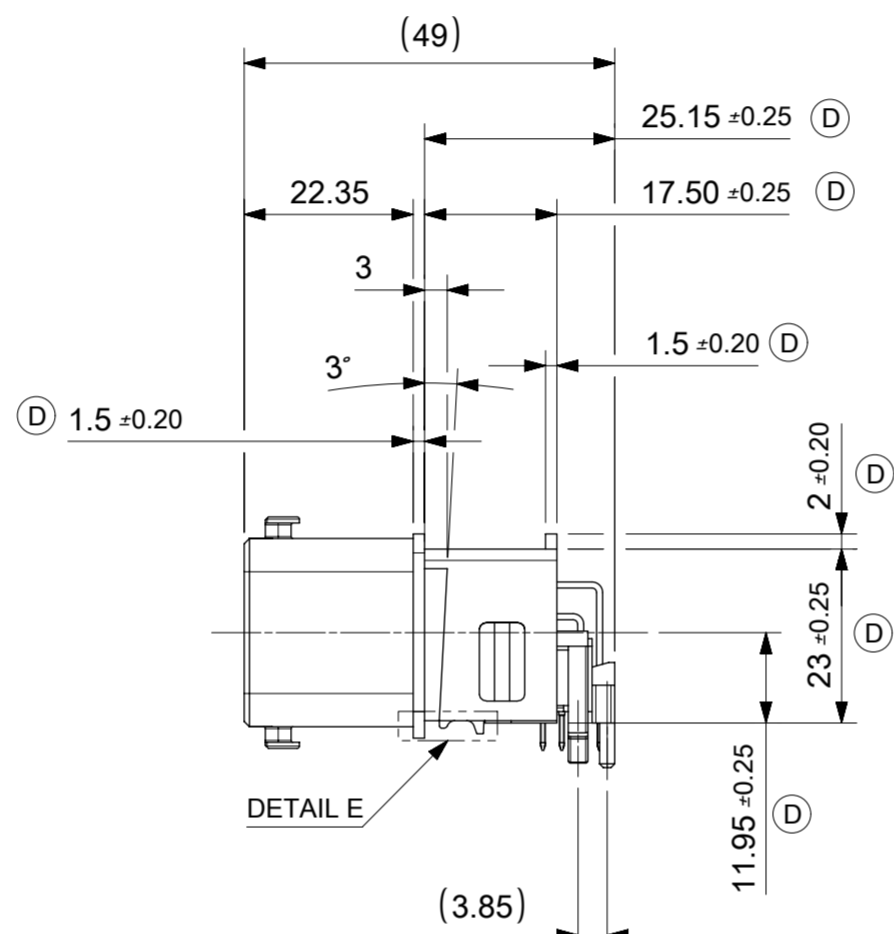
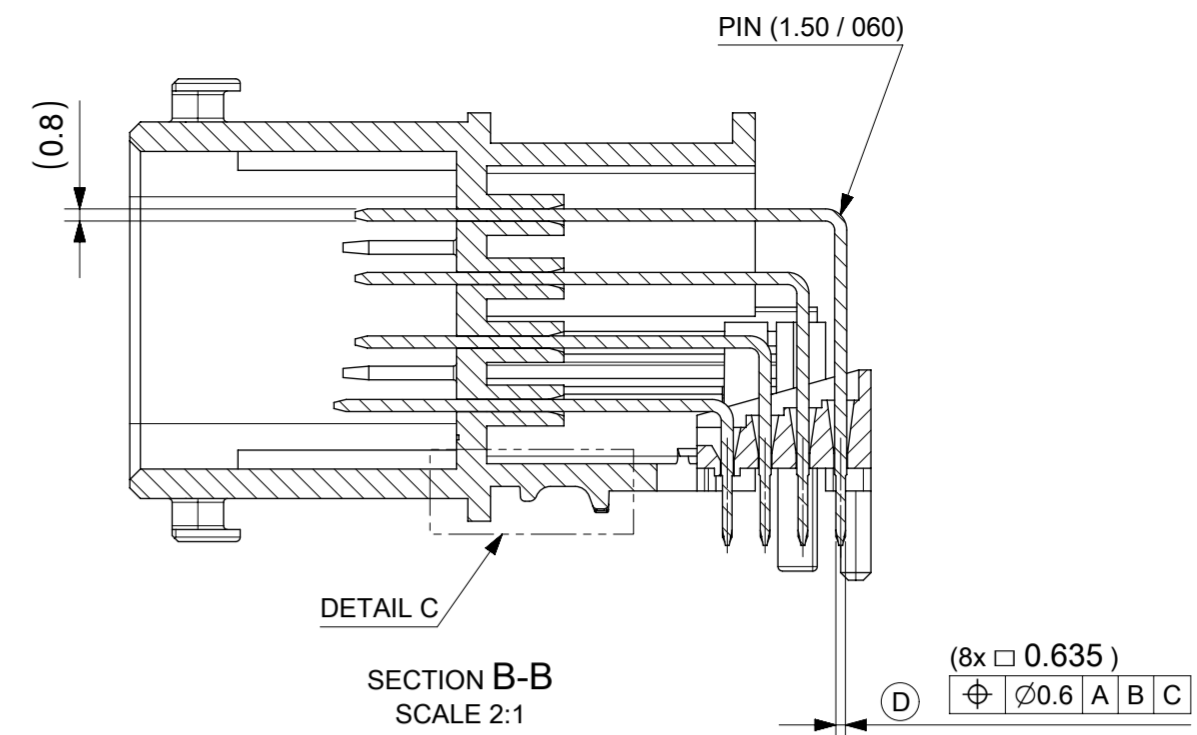
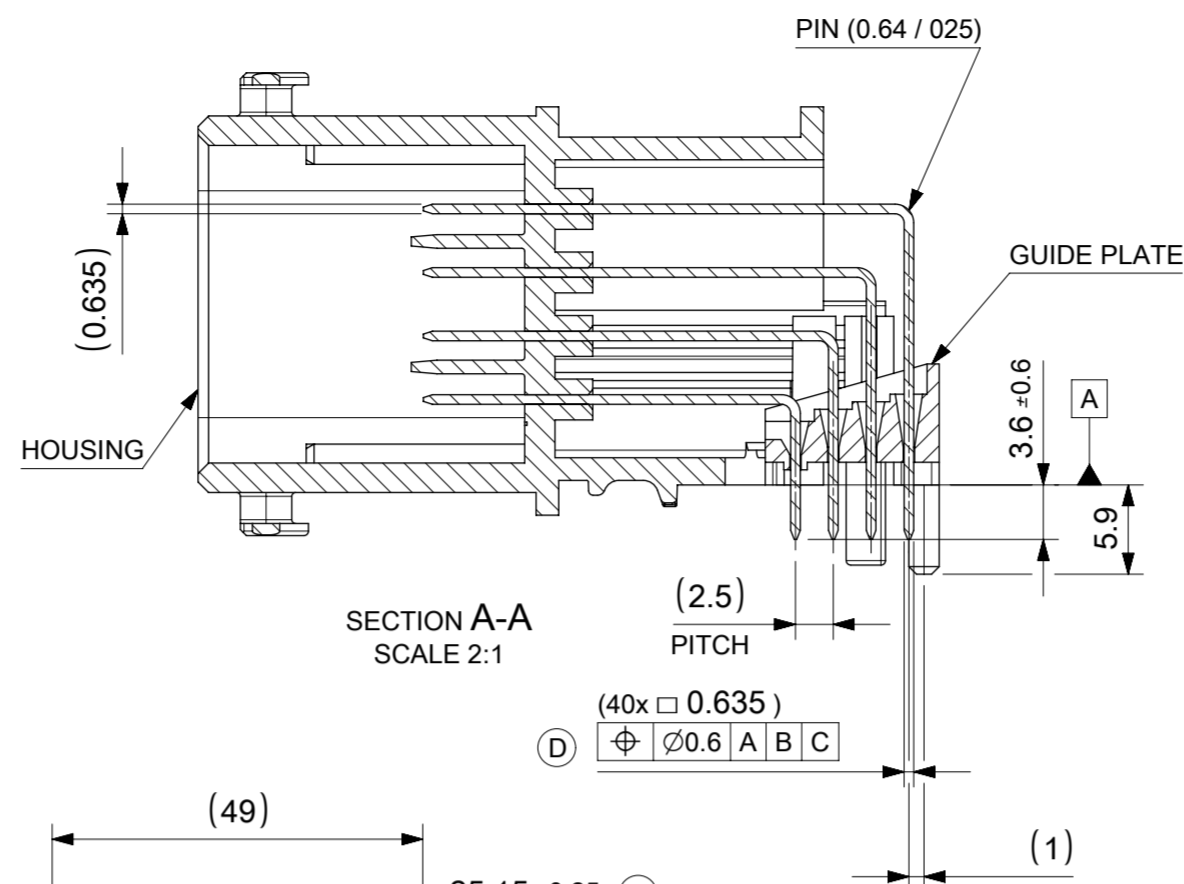
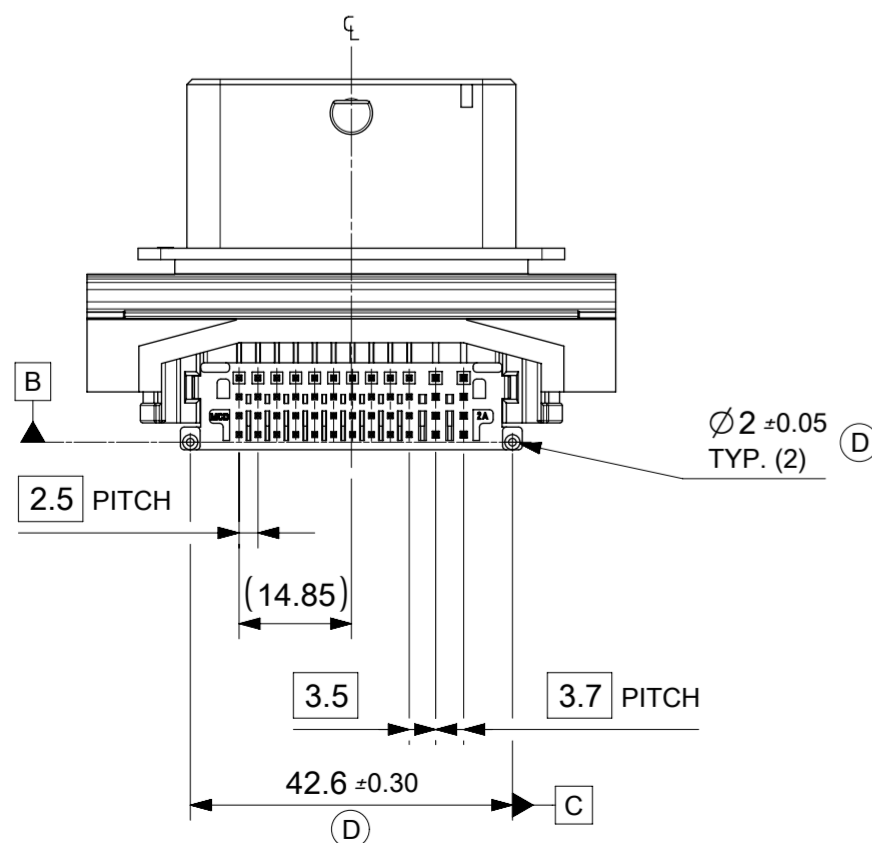
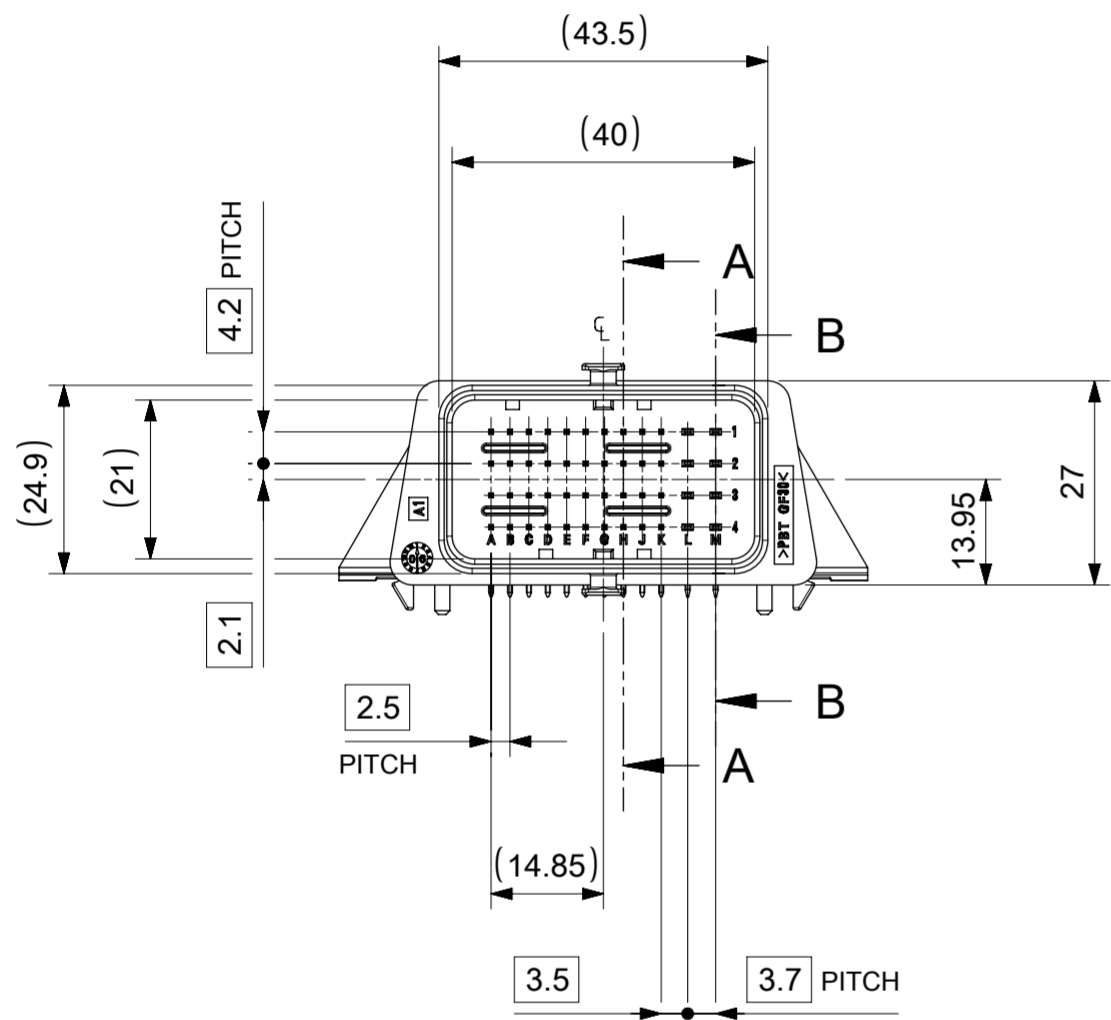
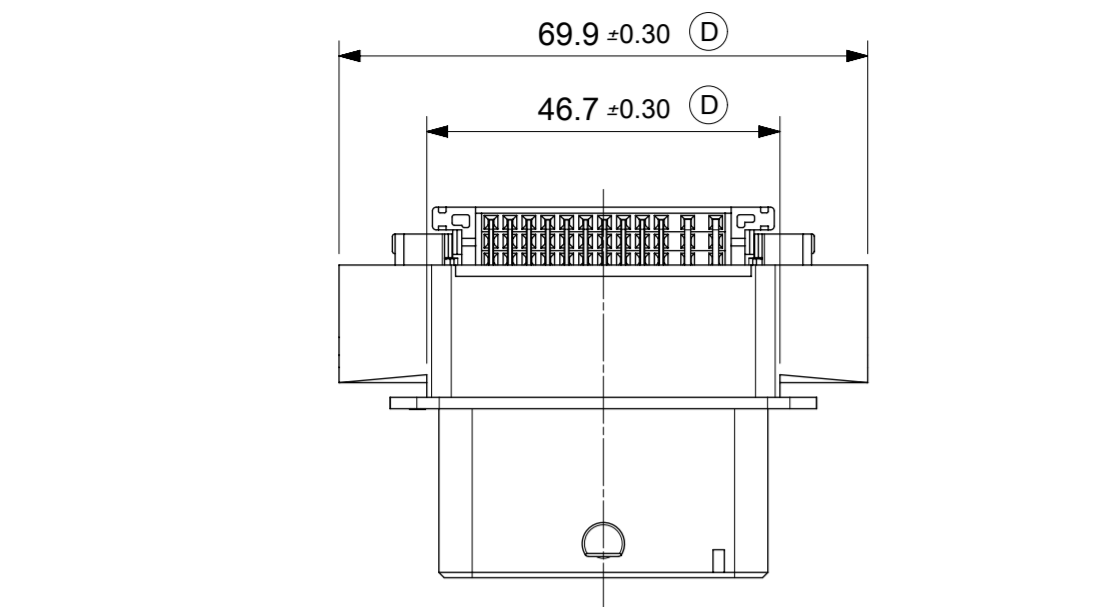
CMC HEADER 48PIN

PRODUCT CUSTOMER DRAWING

RECOMMENDED PCB LAYOUT (COMPONENT SIDE)



DOCUMENT STATUS	RV	RELEASE DATE	11
-----------------	----	--------------	----



P.C.B MOUNTING STATE DELIVERY POSITION

GUIDE PLATE POSITION

DETAIL D SCALE 5:1

PRE-RELEASE REFERENCE USE ONLY

THIS DRAWING CONTAINS INFORMATION THAT IS PROPRIETARY TO MOLEX ELECTRONIC TECHNOLOGIES, LLC AND SHOULD NOT BE USED WITHOUT WRITTEN PERMISSION									
DIMENSION UNITS		SCALE		CURRENT REV DESC: SEE MODIFICATION LOG					
mm		1:1							
GENERAL TOLERANCES (UNLESS SPECIFIED)									
ANGULAR TOL ± °									
4 PLACES ±		EC NO: 637112		DRWN: ACOIFFIER		2020/02/12			
3 PLACES ±		CHK'D: HWBAI		APPR:		2020/05/14			
2 PLACES ±		INITIAL REVISION:		DRWN: SANDO		2008/08/08			
1 PLACE ±		APPR: AKANESHIGE		DRWN: SANDO		2008/08/08			
0 PLACES ±		DRAFT WHERE APPLICABLE MUST REMAIN WITHIN DIMENSIONS		THIRD ANGLE PROJECTION		DRAWING		SERIES	
				A2-SIZE		500762			
DOCUMENT NUMBER				CUSTOMER		DOC TYPE		DOC PART	
SD-500762-001				GENERAL MARKET		PSD		001	
MATERIAL NUMBER				CUSTOMER		SHEET NUMBER		REVISION	
SEE TABLE				GENERAL MARKET		2 OF 2		D	

DOCUMENT STATUS	RV	RELEASE DATE							
-----------------	----	--------------	--	--	--	--	--	--	--