

10 9 8 7 6 5 4 3 2 1

F

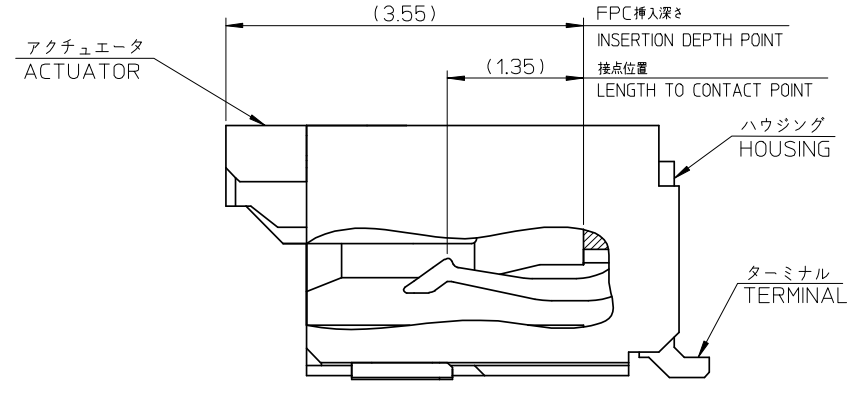
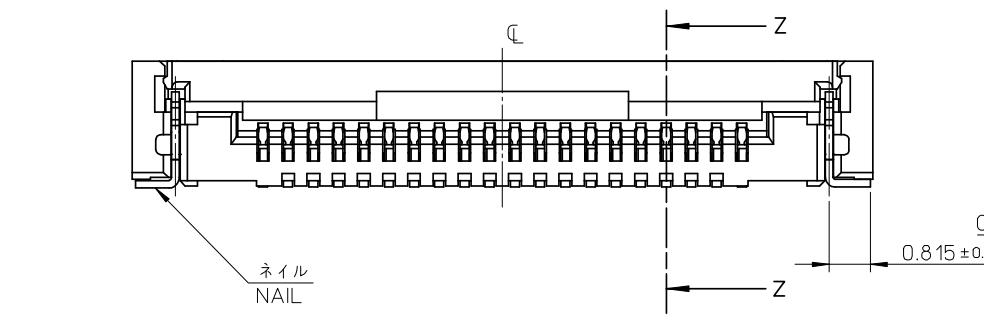
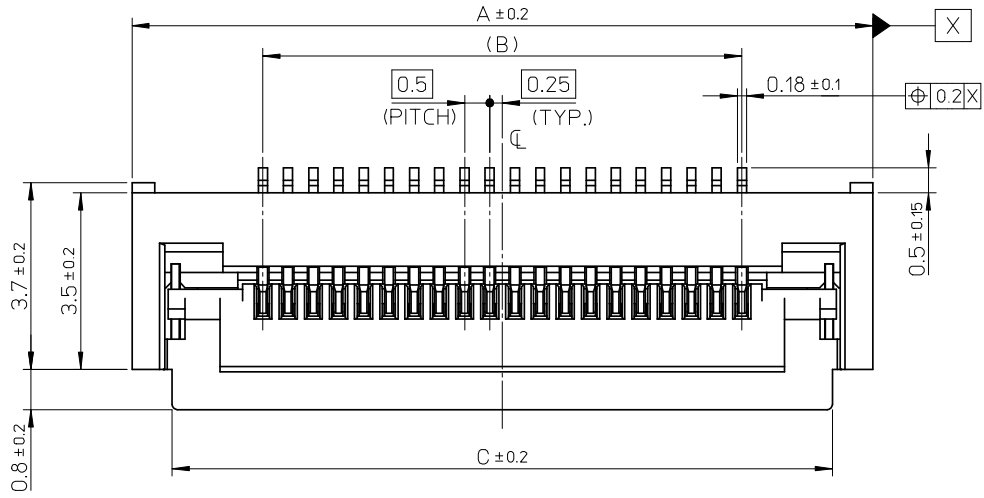
E

D

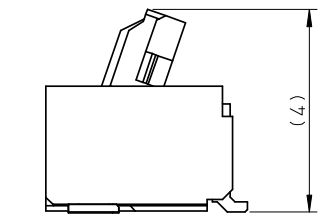
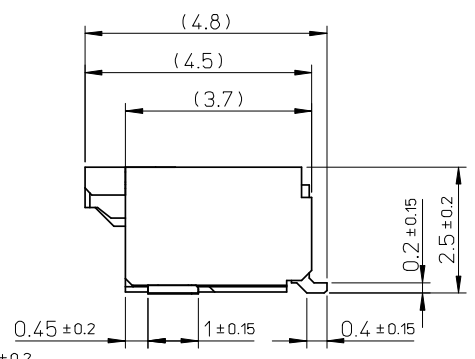
C

B

A



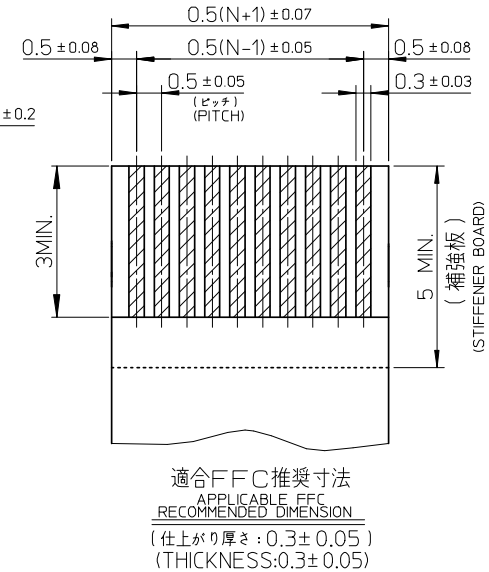
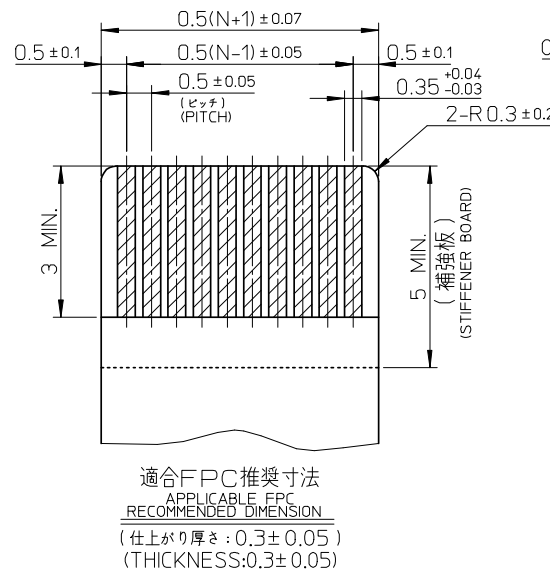
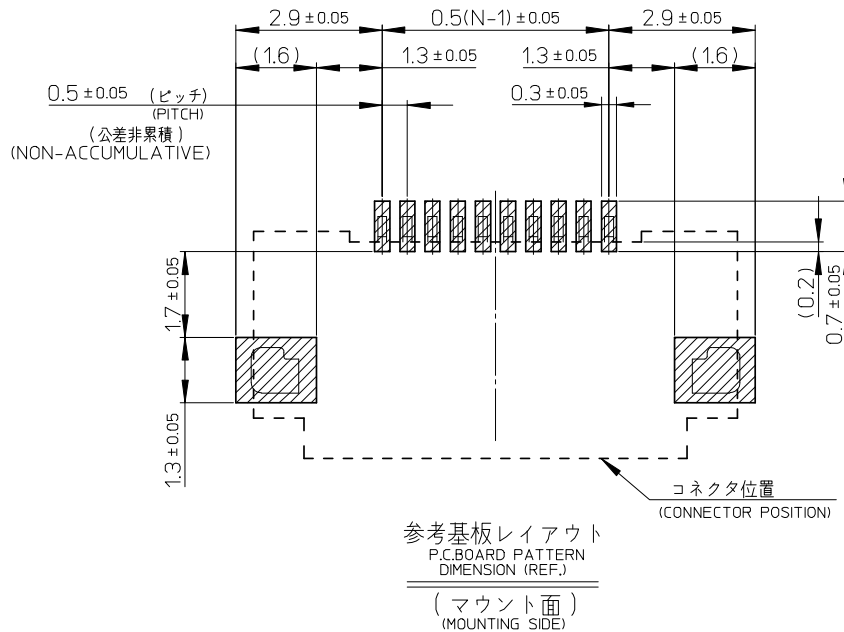
SECTION Z-Z (SCALE 20:1)



アクチュエータ開口した状態  
(WHEN ACTUATOR IS OPENED)

28.1	24.5	29.7	502066-5093	502066-5010	50
23.1	19.5	24.7	502066-4093	502066-4010	40
C	B	A	EMBOSSED TAPE	MATERIAL NO.	CIRCUIT
			ORDER No. オーダー番号		

REVISED EC NO: J2009-0003 DRWN: MABEI 2008/07/08 CHKD: THARUYAMA 2008/07/09 APPR: NUKITA 2008/07/09	GENERAL TOLERANCES (UNLESS SPECIFIED)		DIMENSION STYLE MM ONLY		SCALE 10:1	DESIGN UNITS METRIC	THIRD ANGLE PROJECTION
	10 UNDER	±---	DRAWN BY YKOBAYASHI	DATE 2006/07/21	TITLE 0.5FPC CONN. ZIF E/O HSG ASS'Y(H=2.5) -LEAD FREE-		
	10 OVER 30 UNDER	±---	CHECKED BY HHRATA	DATE 2006/07/21	MOLEX INCORPORATED		
	30 OVER	±---	APPROVED BY MSASAO	DATE 2006/07/21	DOCUMENT NO. SD-502066-001		
	ANGULAR ±1 °	MATERIAL NO. SEE TABLE		SHEET NO. 1 OF 2			
	DRAFT WHERE APPLICABLE MUST REMAIN WITHIN DIMENSIONS	THIS DRAWING CONTAINS INFORMATION THAT IS PROPRIETARY TO MOLEX INCORPORATED AND SHOULD NOT BE USED WITHOUT WRITTEN PERMISSION					



注記 NOTES

1. 使用材料 MATERIAL

ハウジング : 液晶ポリマー ガラス充填, UL94V-0 (ベージュ)  
HOUSING : LIQUID CRYSTAL POLYMER GLASS FILLED, UL94V-0 (BEIGE)  
アクチュエータ: PPSガラス充填, UL94V-0 (茶)  
ACTUATOR : POLYPHENYLENESULFIDE GLASS FILLED, UL94V-0 (BROWN)  
ターミナル : リン青銅 (七=0.18)  
TERMINAL : PHOSPOR BRONZE (七=0.18)  
金具 : リン青銅 (七=0.15)  
FITTING NAIL : PHOSPOR BRONZE (七=0.15)

2. メッキ仕様 PLATING

ターミナル TERMINAL  
ニッケル下地金めっき  
GOLD(Au) OVER NICKEL(Ni) PLATING  
金具 FITTING NAIL  
ニッケル下地金めっき  
TIN(Sn) OVER NICKEL(Ni) PLATING

3. エンボステープ梱包時は、アクチュエータが閉じた状態とする。  
IN THE PACKAGE, ACTUATOR OF PART NO.502066-\*\*\*10 SHOULD BE CLOSED.  
4. R0.3 は、FPC 導体部にかからないこと。  
R0.3 MUST NOT BE OVERLAPPED TO PATTERN OF FPC.

FPC/FFCについて:

打抜き方向は導体側から補強板側を推奨致します。  
導体部については軟銅箔35マイクロメートルまたは50マイクロメートルを推奨致します。  
ABOUT FPC/FFC  
RECOMMENDED PUNCHER DIRECTION : FROM CONDUCTOR SIDE TO STIFFENER FILM SIDE.  
RECOMMENDED CONDUCTOR SPEC :  
THICKNESS OF SOFT COPPER FOIL : 35 MICROMETER OR 50 MICROMETER

FPCについて:

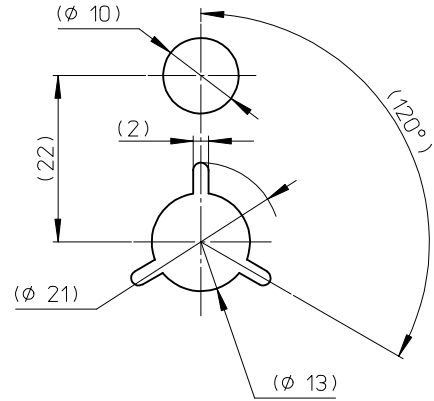
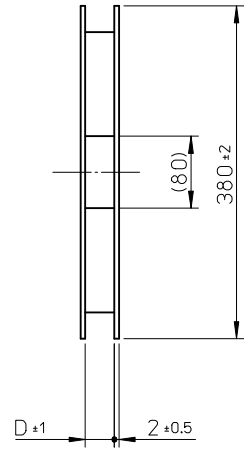
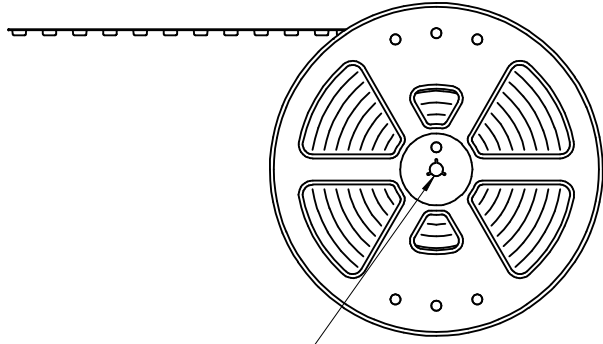
補強フィルム材質はポリイミドを推奨致します。  
接着剤は熱硬化接着剤を推奨致します。  
ベースフィルムは25マイクロメートルを推奨致します。

ABOUT FPC

RECOMMENDED MATERIAL :  
STIFFENER FILM : POLYIMIDE  
BONDING AGENT : THERMOSETTING BONDING AGENT  
RECOMMENDED THICKNESS :  
BASE FILM : 25 MICROMETER

SEE SHEET 1 EC NO: J2009-0003 DRWN: MWABEI 2008/07/08 CHKD: THARUYAMA 2008/07/09 APPR: NUKITA 2008/07/09	GENERAL TOLERANCES (UNLESS SPECIFIED)		DIMENSION STYLE MM ONLY	SCALE --	DESIGN UNITS METRIC	THIRD ANGLE PROJECTION
	10 UNDER	±---	DRAWN BY YKOBAYASHI 02	DATE 2006/07/21	TITLE 0.5FPC CONN. ZIF E/O HSG ASS'Y(H=2.5) -LEAD FREE-	
	10 OVER 30 UNDER	±---	CHECKED BY HIRATA	DATE 2006/07/21	MOLEX INCORPORATED	
	30 OVER	±---	APPROVED BY MSASAO	DATE 2006/07/21	MATERIAL NO. SEE SHEET 1	DOCUMENT NO. SD-502066-001
REV	DESCRIPTION	ANGULAR ±1 °	THIS DRAWING CONTAINS INFORMATION THAT IS PROPRIETARY TO MOLEX INCORPORATED AND SHOULD NOT BE USED WITHOUT WRITTEN PERMISSION			

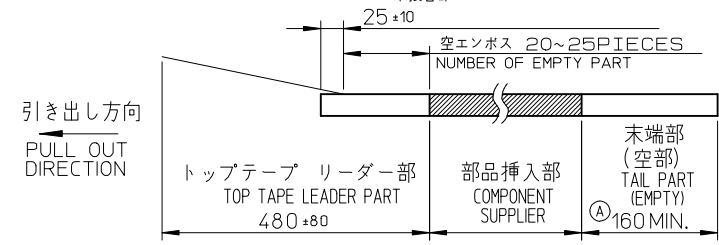
引き出し方向  
PULL OUT DIRECTION



DETAIL "E"

NOTES

- ①. 製品詳細寸法については図面 RSD/SD-502066-\*\*\*を参照ください。  
RE DETAILED DIMENSION, SEE RSD/SD-502066-\*\*\*.
- 2. 梱包数量 : 2000個/リール  
NUMBER OF CONNECTORS : 2000PCS/REEL
- 3. リードテープ長さ  
LEAD TAPE LENGTH

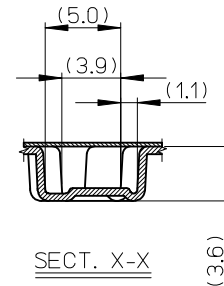
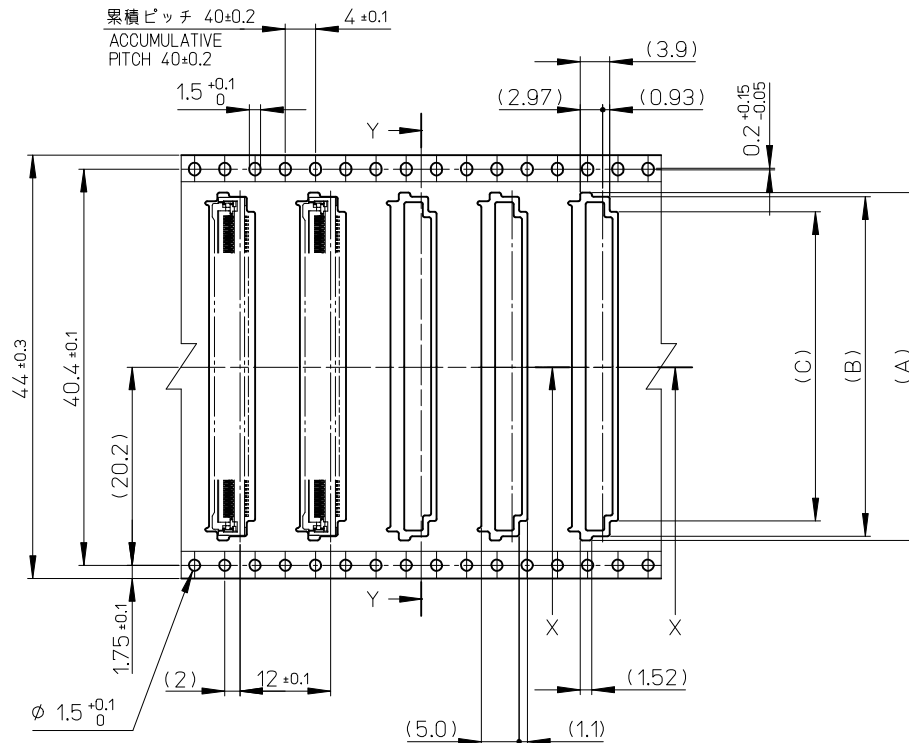
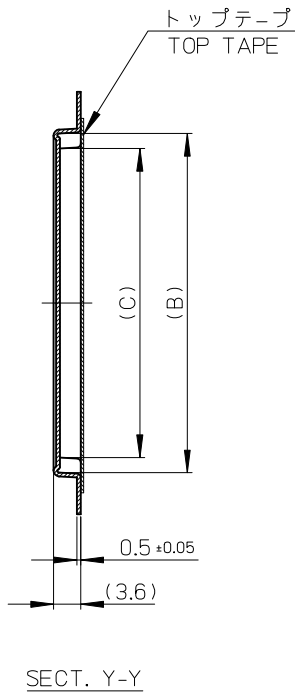


- 4. 材料  
MATERIAL  
 キャリアテープ : ポリプロピレン  
 CARRIER TAPE : POLYPROPYLENE  
 トップテープ : PET/PE  
 TOP TAPE : PET/PE  
 リール : PS<リサイクル材を含む>  
 REEL : POLYSTYRENE <RECYCLE MATERIAL CONTAINED>

502066-\*\*93 MODEL NO.

REVISED EC NO: J2007-2306 DRWN: YKOBAYASHI 02 2007/02/10 CHKD: 2007/02/13 APPR: HIRATA 2007/02/15	GENERAL TOLERANCES (UNLESS SPECIFIED)		DIMENSION STYLE	SCALE	DESIGN UNITS	THIRD ANGLE PROJECTION		
			MM ONLY	--	METRIC			
	10 UNDER	+---	DRAWN BY	DATE	TITLE			
	10 OVER 30 UNDER	±---	YKOBAYASHI 02	2005/12/14	0.5 FPC CONN ZIF (E/O) EMBSTP PKG (HGT=2.5) -LEAD FREE-			
30 OVER	±---	CHECKED BY	DATE	MOLEX INCORPORATED				
		HIRATA	2005/12/14	MATERIAL NO. SEE CHART				
		APPROVED BY	DATE	DOCUMENT NO. SD-502066-002				
		MSASAO	2005/12/14	SHEET NO. 1 OF 2				
		ANGULAR ±1 °		THIS DRAWING CONTAINS INFORMATION THAT IS PROPRIETARY TO MOLEX INCORPORATED AND SHOULD NOT BE USED WITHOUT WRITTEN PERMISSION				
		DRAFT WHERE APPLICABLE MUST REMAIN WITHIN DIMENSIONS						

引き出し方向  
PULL OUT  
DIRECTION



44	44.4	25.9	29.9	31	502066-5093	50
44	44.4	20.9	24.9	26	502066-4093	40
キャリアテープ幅 CARRIER TAPE WIDTH	D	C	B	A	製品番号 MATERIAL NO.	極数 CIRCUIT

SEE SHEET 1 EC NO: J2007-2306 DRWN: YKOBAYASHI 02 2007/02/10 CHKD: 2007/02/13 APPR: HIRATA 2007/02/15	MODEL NO. 502066-***93		DIMENSION STYLE MM ONLY		SCALE --		DESIGN UNITS METRIC		THIRD ANGLE PROJECTION		
	GENERAL TOLERANCES (UNLESS SPECIFIED)		DRAWN BY YKOBAYASHI 02		DATE 2005/12/14		TITLE 0.5 FPC CONN ZIF (E/O) EMBSTP PKG (HGT=2.5) -LEAD FREE-				
	10 UNDER ± --- 10 OVER 30 UNDER ± --- 30 OVER ± ---		CHECKED BY HIRATA		DATE 2005/12/14		MOLEX INCORPORATED				
	ANGULAR ±1 ° DRAFT WHERE APPLICABLE MUST REMAIN WITHIN DIMENSIONS		APPROVED BY MSASAO		DATE 2005/12/14		DOCUMENT NO. SD-502066-002		SHEET NO. 2 OF 2		