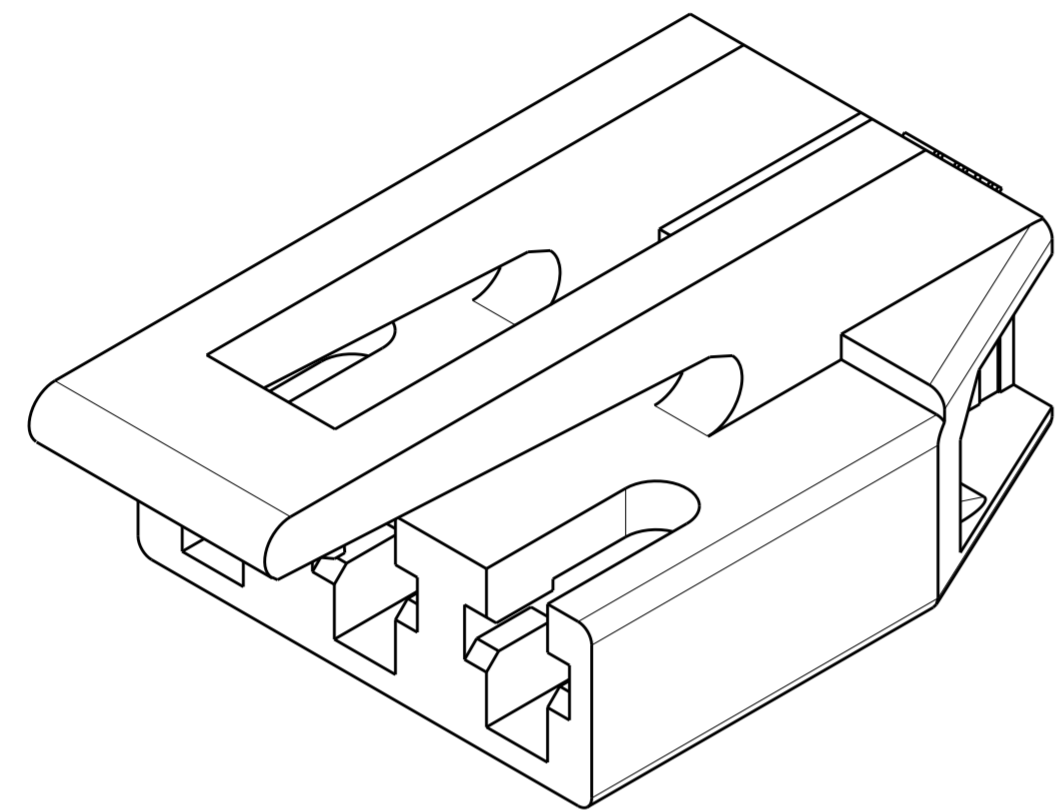


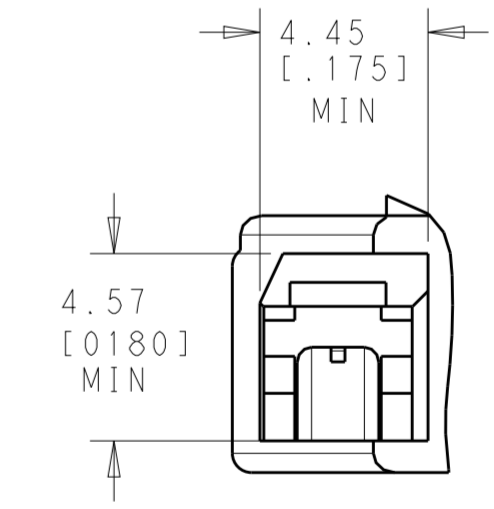
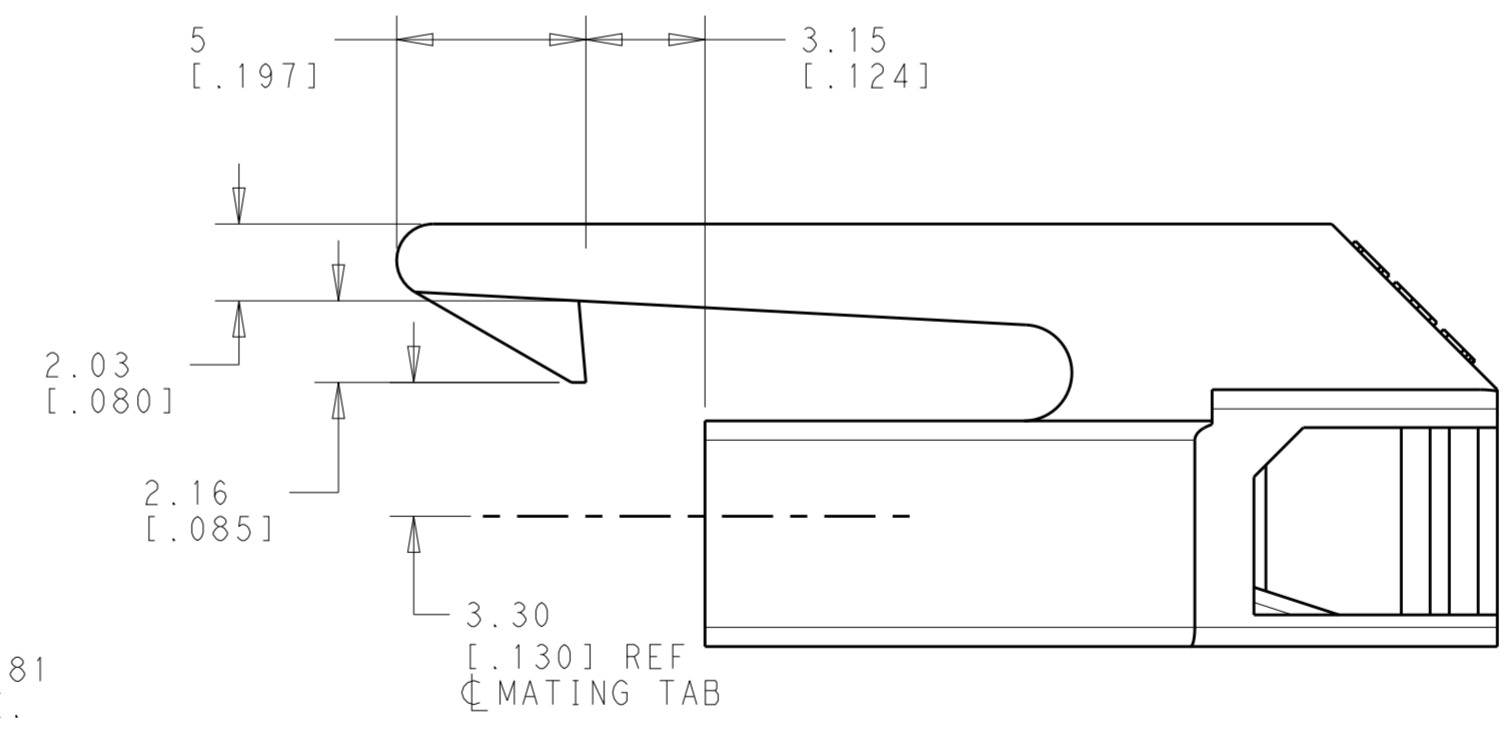
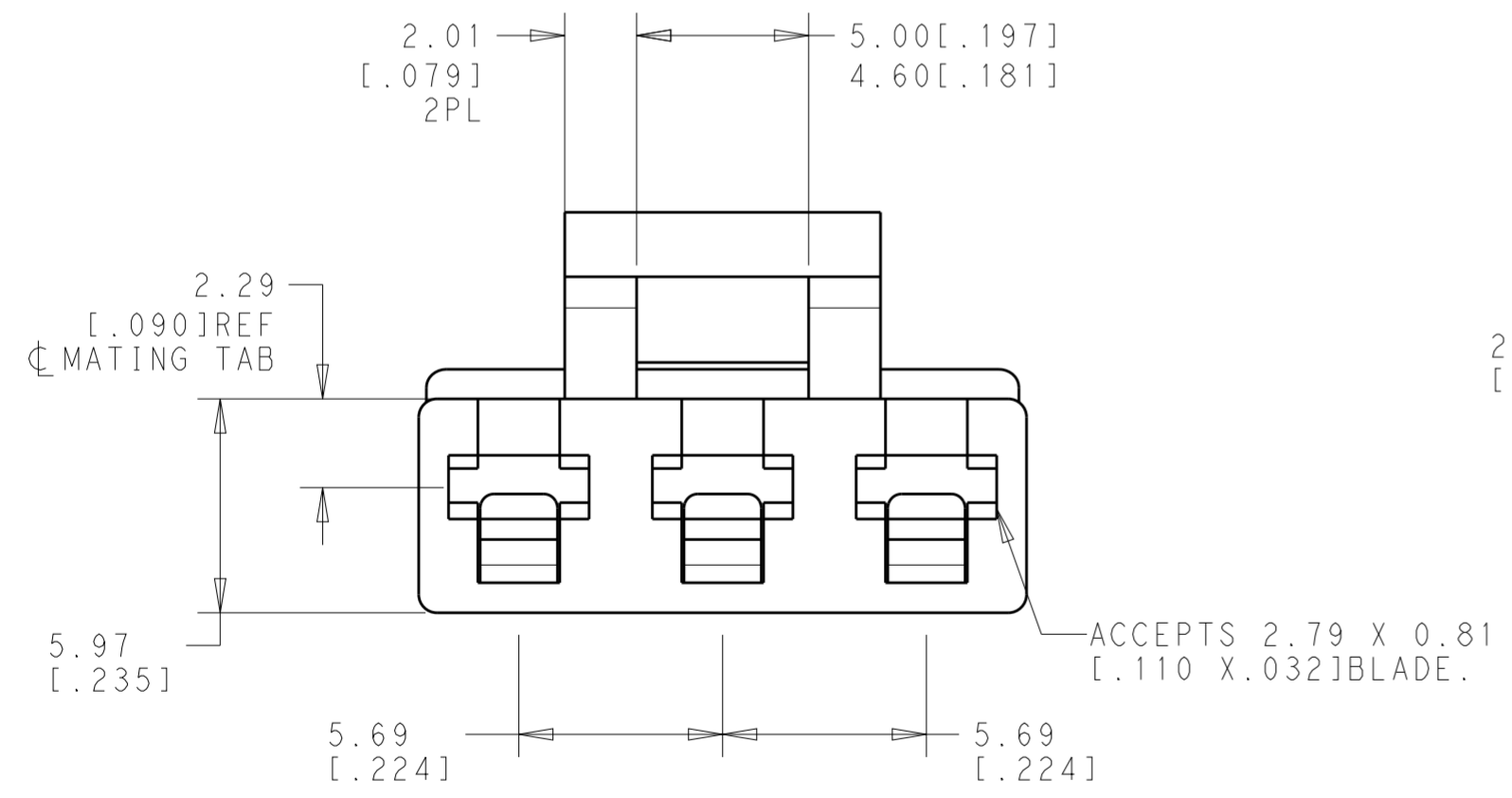
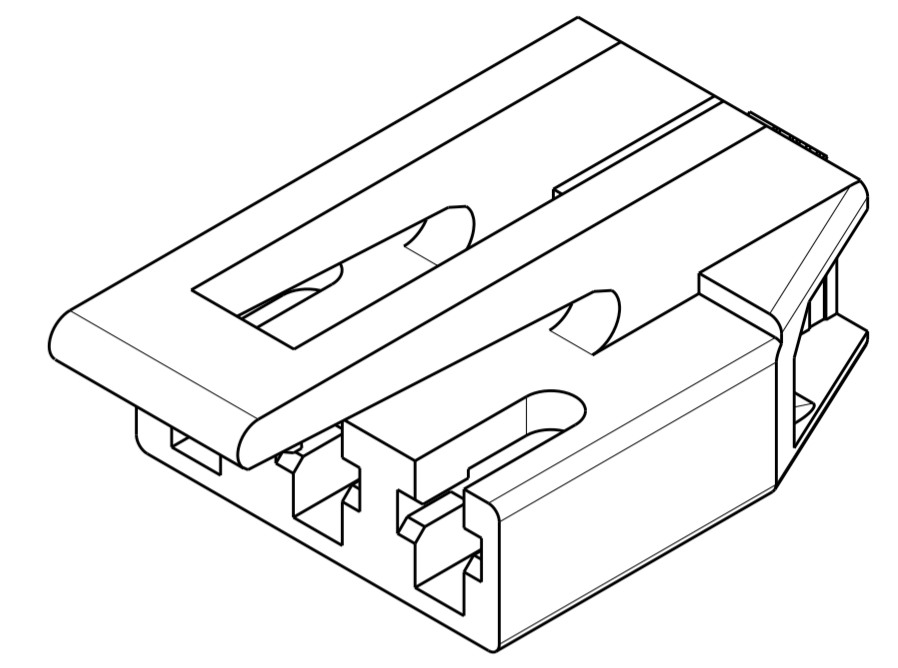
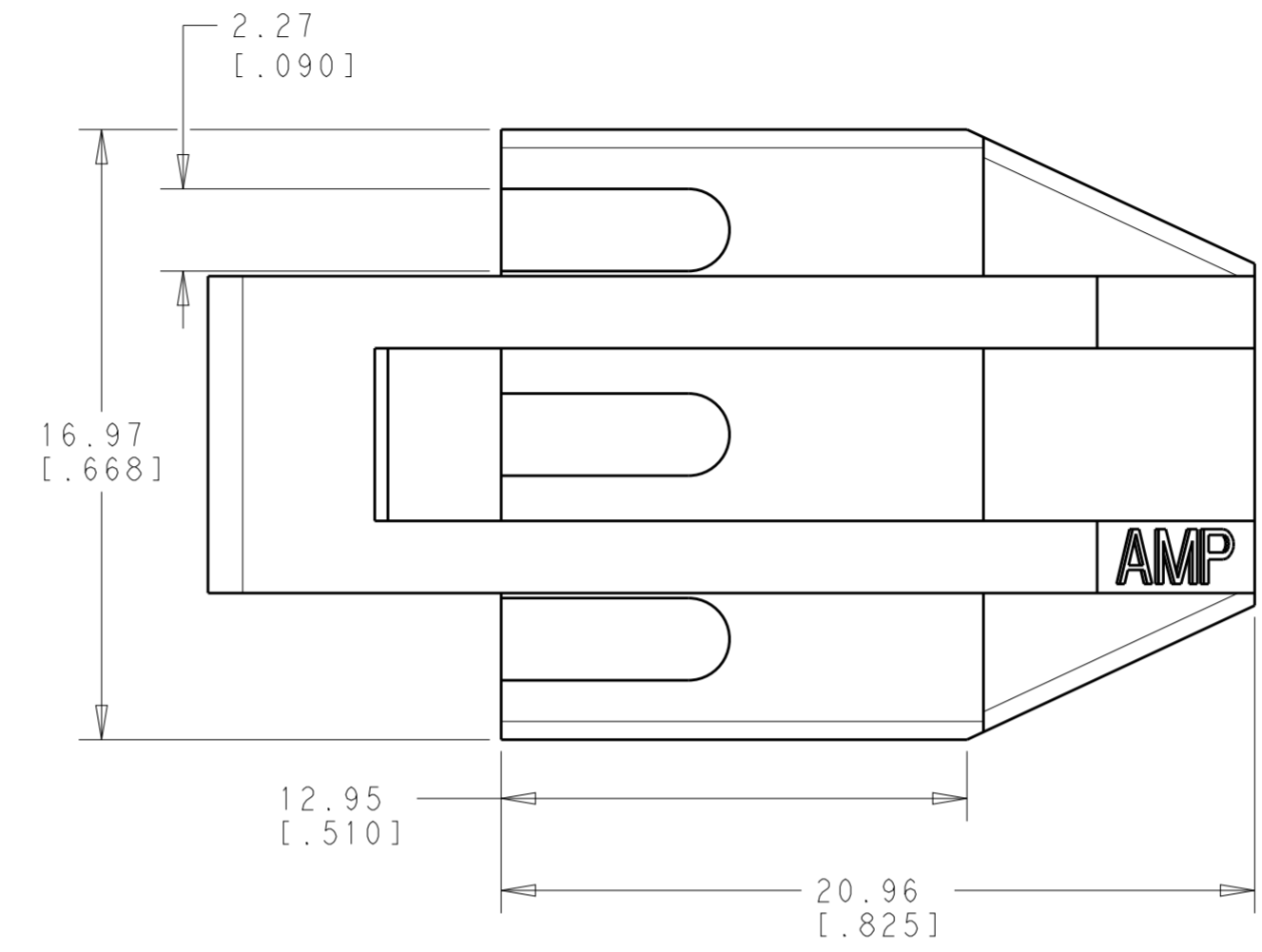
THIS DRAWING IS UNPUBLISHED. RELEASED FOR PUBLICATION 20  
 © COPYRIGHT 20 BY - ALL RIGHTS RESERVED.

REVISIONS				
P	LTR	DESCRIPTION	DATE	APVD
G		CONVERTED TO CAD PER ECO-13-015250	01OCT2013	KH MD

1. DIMENSIONS IN BRACKETS ARE IN INCHES.  
 2. TERMINAL RETENTION 12LBS MINIMUM AS MEASURED WITH GAUGE # 100716-147.



SCALE 5:1



NYLON	NATURAL	520219-5
PBT	NATURAL	520219-4
NYLON 6/6	BLACK	520219-2
NYLON 6/6	NATURAL	520219-1
MATERIAL	COLOUR	PART NO

THIS DRAWING IS A CONTROLLED DOCUMENT.

DIMENSIONS: INCHES	TOLERANCES UNLESS OTHERWISE SPECIFIED: 0 PLC ± 1 PLC ± 2 PLC ±0.38 [.015] 3 PLC ± 4 PLC ± ANGLES ± FINISH -	DWN 01 OCT 2013 KIRAN HOLAL CHK 01 OCT 2013 DIDONATO, MICHAEL F APVD 01 OCT 2013 DIDONATO, MICHAEL F	TE Connectivity NAME 110 SERIES FASTON RECEPTACLE HOUSING - 3 CIRCUIT
MATERIAL SEE TABLE		PRODUCT SPEC - APPLICATION SPEC - WEIGHT - Customer Drawing	