

Contact Layout

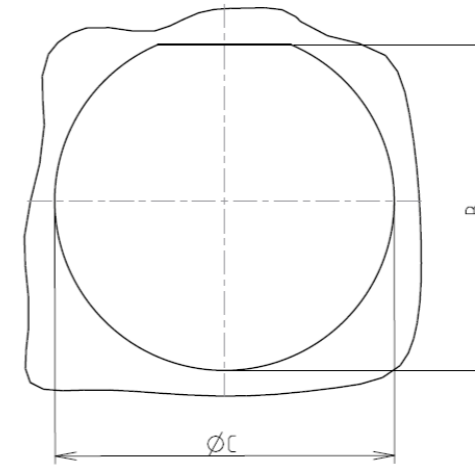


Contacts (Insert arrangement 17-8)		
Contact position ID	Location	
	X-axis (mm)	Y-axis (mm)
A	+000 (0.00)	+236 (5.99)
B	+128 (3.25)	+086 (2.18)
C	+230 (5.84)	-078 (1.98)
D	+094 (2.39)	-216 (5.49)
E	-094 (2.39)	-216 (5.49)
F	-230 (5.84)	-078 (1.98)
G	-128 (3.25)	+086 (2.18)
H	+000 (0.00)	-052 (1.32)

Shell size	Arrangement no.	Number of contacts	Size contacts	Service rating	Contact location	Supersedes
17	-8	8	16	II	All	MS20053-8

Panel cutout

JAM NUT RECEPTACLE (TYPE 7)



Dim	Nominal
B	30.73+0/-0.25
ØC	32.01+0.25/-0

SOURIAU shall not be liable for any non-conformity or damage due to a use of the Products which does not comply with the Specifications issued by either of the Parties or by a third party (professional recommendation, technical notice.)

Country	Jurisdiction & Control List
FR	Not Listed

PN: 8D717Z08SB

A	01-10-2016	First Release	
ISS	DATE	Latest modification - by	MOD N°
Designed By:		Date:	CUSTOMER DRAWING
TITLE	Aluminium Receptacle 8D series		
SCALE		General linear Tolerances: ±--	NPRDS / PROJECT 859
SOURIAU	WWW.SOURIAU.COM		This document is the property of SOURIAU it must not be reproduced or communicated without permission
FORMAT A3	SOURIAU DRG N° 8D717Z08SB-C		SHEET 2/2