



LAYOUT SHOWN AS EXAMPLE

Keying Shown as example

**CHARACTERISTICS**

- Standard : Based on MIL-DTL-38999 Series III
- Shell Material : Aluminium
- Shell Plating : Black Zinc Nickel
- Insulator : Thermoplastic
- Contacts : Copper Alloy
- Seals & Grommet : Silicon Elastomer
- Contact Plating : Gold over copper Alloy 0.8µm minimum
- Durability : 500 Mating cycles
- Delivered without Souriau contacts
- Temperature Range : -65°C to +175°C
- Salt Spray : 500 hours
- Mass : 35.41 g ± 10%

| Connector dimension |                 |
|---------------------|-----------------|
| Dim                 | Nominal         |
| A                   | 44.5±0.3        |
| B                   | 30.15+0.1/-0.15 |
| R                   | 32.5Max         |
| S                   | 41.3±0.4        |
| W                   | 2.2+0.9/-0.1    |
| VV THREAD           | M25x1-6g        |

SOURIAU shall not be liable for any non-conformity or damage due to a use of the Products which does not comply with the Specifications issued by either of the Parties or by a third party (professional recommendation, technical notice.)

|         |                             |
|---------|-----------------------------|
| Country | Jurisdiction & Control List |
| FR      | Not Listed                  |

**PN: 8D717Z75PDL**

|                     |                                       |                                |   |
|---------------------|---------------------------------------|--------------------------------|---|
| A                   | 01-10-2016                            | First Release                  |   |
| ISS                 | DATE                                  | Latest modification - by       | MOD N°  |
| Designed By:        |                                       | Date:                          | <b>CUSTOMER DRAWING</b>   |
| <b>TITLE</b>        | <b>Aluminium Receptacle 8D series</b> |                                |   |
| SCALE               | NA                                    | General linear Tolerances: ±-- | NPRDS / PROJECT<br><b>859</b>   |
| <b>SOURIAU</b>      | <b>WWW.SOURIAU.COM</b>                |                                | This document is the property of SOURIAU it must not be reproduced or communicated without permission |
| FORMAT<br><b>A3</b> | <b>SOURIAU DRG N° 8D717Z75PDL-C</b>   |                                | SHEET<br>1/2  |

|               |                          |   |   |    |   |    |   |   |   |                                 |
|---------------|--------------------------|---|---|----|---|----|---|---|---|---------------------------------|
| BASIC SERIES: | 8D                       | 7 | - | 17 | Z | 75 | P | D | L | Delivered W/O Contacts          |
| SHELL TYPE    | : Jam nut Receptacle     |   |   |    |   |    |   |   |   | ORIENTATION : D                 |
| CONTACT TYPE  | : Standard Crimp Contact |   |   |    |   |    |   |   |   | CONTACT TYPE : PIN(500 Matings) |
| SHELL SIZE    | : 17                     |   |   |    |   |    |   |   |   | CONTACT LAYOUT : 17-75          |
| PLATING       | : Z = Black Zinc Nickel  |   |   |    |   |    |   |   |   |                                 |

Contact Layout

75

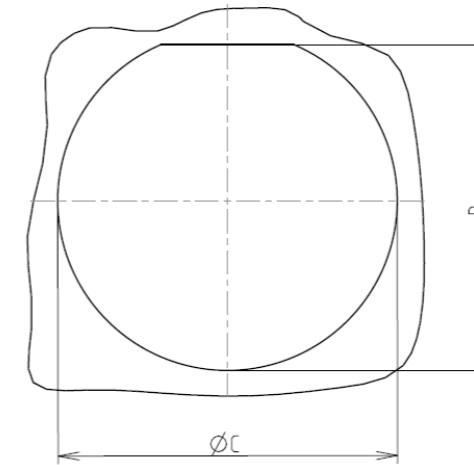


2#8 Triax

| 17-75 |   |       |
|-------|---|-------|
| Ctc   | X | Y     |
| A     | 0 | 4.75  |
| B     | 0 | -4.75 |

Panel cutout

JAM NUT RECEPTACLE (TYPE 7)



| Dim | Nominal       |
|-----|---------------|
| B   | 30.73+0/-0.25 |
| ØC  | 32.01+0.25/-0 |

SOURIAU shall not be liable for any non-conformity or damage due to a use of the Products which does not comply with the Specifications issued by either of the Parties or by a third party (professional recommendation, technical notice.)

| Country | Jurisdiction & Control List |
|---------|-----------------------------|
| FR      | Not Listed                  |

PN: 8D717Z75PDL

|                     |   |                                |  |
|---------------------|---|--------------------------------|--|
| A                   | 01-10-2016                              | First Release                  |  |
| ISS                 | DATE                                    | Latest modification - by       | MOD N°   |
| Designed By:        |   | Date:                          | <b>CUSTOMER DRAWING</b>  |
| <b>TITLE</b>        | Aluminium Receptacle 8D series          |                                |  |
| SCALE               |   | General linear Tolerances: ±-- | NPRDS / PROJECT<br><b>859</b>  |
| <b>SOURIAU</b>      | <b>WWW.SOURIAU.COM</b>                  |                                | This document is the property of SOURIAU<br>it must not be reproduced or communicated without permission |
| FORMAT<br><b>A3</b> | <b>SOURIAU DRG N°<br/>8D717Z75PDL-C</b> |                                | SHEET<br>2/2   |