

PLEASE CHECK WWW.MOLEX.COM FOR LATEST PART INFORMATION

Part Number: [0945069000](#)
Status: **Active**
Overview: Standard Quick-Disconnect Terminals
Description: Quick Disconnect Safelock Housing, accepts 6.35 x 0.81mm Female Tab Terminal, 14-20 AWG Wire, 1 Circuit

Documents:

[3D Model](#) [RoHS Certificate of Compliance \(PDF\)](#)
[Drawing \(PDF\)](#)

Agency Certification

CSA LR19980
 UL E29179

General

Product Family Crimp Housings
 Series [94506](#)
 Application Power
 Overview [Standard Quick-Disconnect Terminals](#)
 Product Name Quick Disconnect, Safelock
 UPC 800754331449

Physical

Breakaway No
 Circuits (maximum) 1
 Color - Resin White
 Flammability 94V-2
 Gender Receptacle
 Glow-Wire Capable No
 Lock to Mating Part None
 Material - Resin Nylon
 Net Weight 0.572/g
 Number of Rows 1
 Packaging Type Bag
 Panel Mount No
 Pitch - Mating Interface N/A
 Pitch - Termination Interface N/A
 Polarized to Mating Part No
 Temperature Range - Operating -40° to +105°C

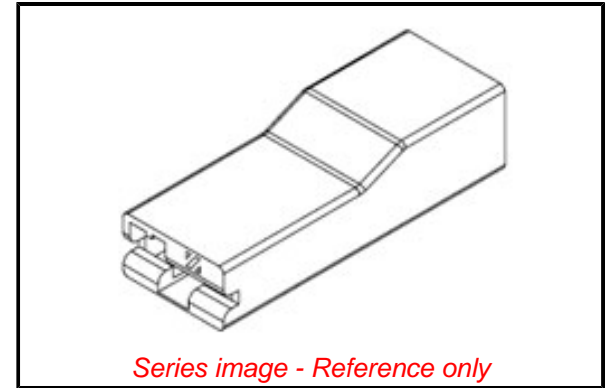
Solder Process Data

Lead-freeProcess Capability N/A

Material Info

Reference - Drawing Numbers

Sales Drawing SD-94506-001



EU ELV

Compliant

EU RoHS

Compliant

REACH SVHC

Not Contained Per
 -ED/88/2018 (15
 January 2019)

Halogen-Free

Status

Not Relevant

For more information, please visit [Contact US](#)

China ROHS

ELV

RoHS Phthalates

China RoHS

Not Relevant

Compliant

Not Contained

Search Parts in this Series

[94506 Series](#)

Use With

[945060100](#)