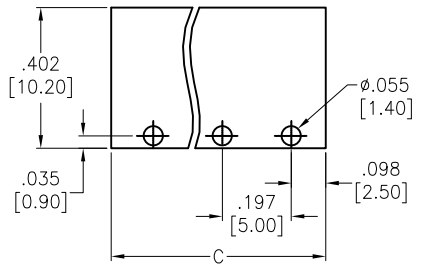
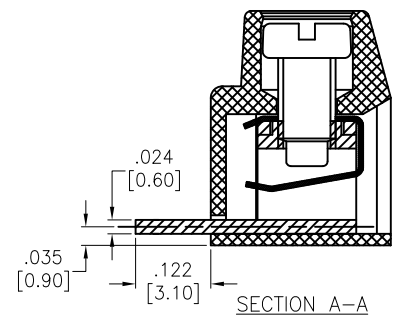
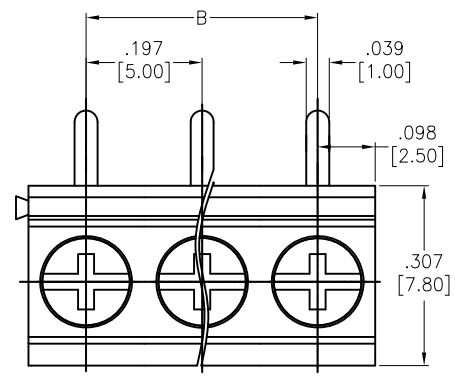


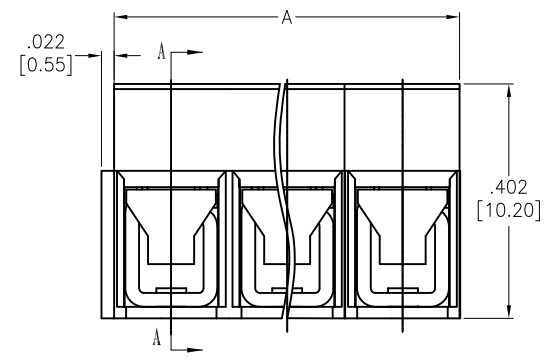
6	5	4	3	2	1		
APPROVED: _____			Rev	AWO #	Description	Date	Appr
DATE: _____ TITLE: _____			-		RELEASED	2/12/20	



RECOMMENDED PCB LAYOUT



SECTION A-A



**SPECIFICATIONS:**

Material:  
 Insulator: PA66, rated UL 94V-0  
 Insulator color: Green  
 Contact: Brass, Tin plated  
 Screws: M2.5 Steel, Zinc plated  
 Shrapnel: Phosphor Bronze, Nickel plated  
 Electrical:  
 Voltage rating: 300 V  
 Current rating: 8 A  
 Contact resistance: 20 mohms  
 Insulation resistance: 500 Mohms min @ 500 VDC  
 Dielectric withstanding voltage: 1600 VAC for 1 minute  
 Mechanical:  
 Torque: 3 Kgf-cm  
 Wire Range: 26-14AWG, 1.5mm<sup>2</sup>  
 Strip Length: 6-7mm  
 Temperature Rating:  
 -40°C to +105°C  
 Environmental:  
 Lead free, RoHS compliant.



Positions: 02 thru 24  
 A = .197 [5.00] x No. of Positions  
 B = .197 [5.00] x No. of Space  
 C = .197 [5.00] x No. of Positions + .022 [0.55]

UNLESS OTHERWISE SPECIFIED ALL DIMENSIONS ARE INCHES [MM] TOLERANCES: EXCEPT AS NOTED			
INCHES		HOLES	
.X	± .10	Ø.X	± .10
.XX	± .020	Ø.XX	± .015
.XXX	± .015	Ø.XXX	± .010
APPROVALS		DATE	
DRAWN	LH	2/12/20	
CHECKED	RL	2/12/20	
APPROVED			

**ADAM TECH INTERCONNECTS** 909 Rahway Avenue,  
 Union, NJ 07083  
 Phone: 908-687-5000  
 Fax: 908-687-5710

TITLE			
EURO BLOCK, .197 [5.00] PITCH, RIGHT ANGLE			
SIZE	PART NO.	REV.	
X	EB15A-XX-C	-	
REF:	S00067C	SCALE:	NTS
		SHEET 1 OF 1	