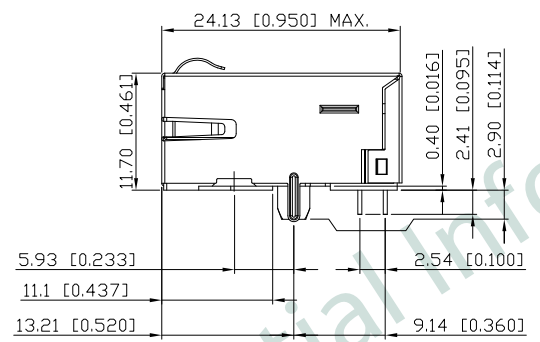
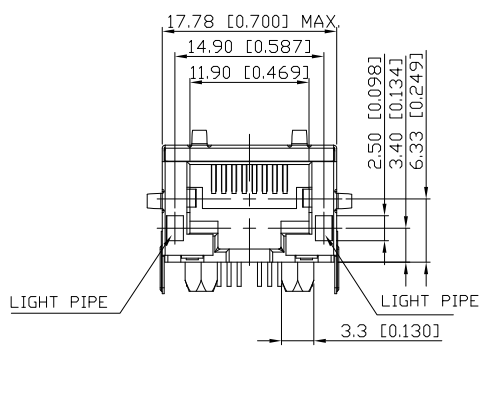
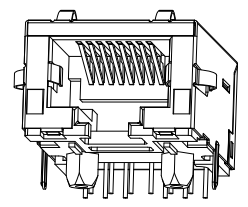
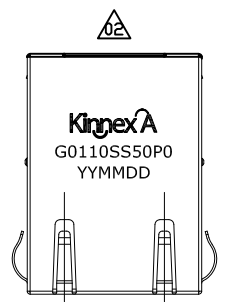


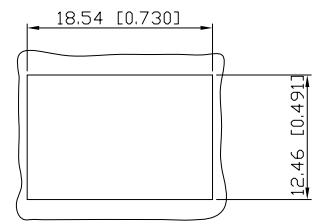
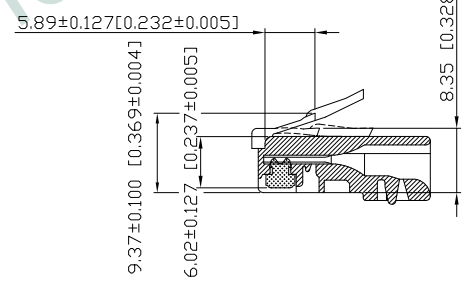
1. MECHANICAL DIMENSIONS :

REV.	DATE	DESCRIPTION
02	Jan. 03, '18	1. UPDATE THE LOGO 2. DELETE BOTTOM VIEW 3. ADD DETAIL VIEW & PIN DEFINITION 4. ADD PROFILE OF WAVE SOLDER
01	Apr. 29, '16	1st RELEASE

A
B
C
D
E
F



RECOMMENDED PLUG DIMENSION:



RECOMMENDED PANEL CUTOUT DIMENSION

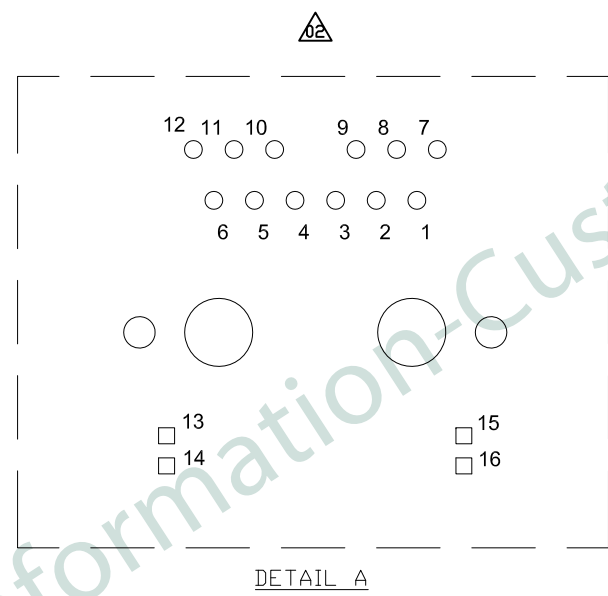
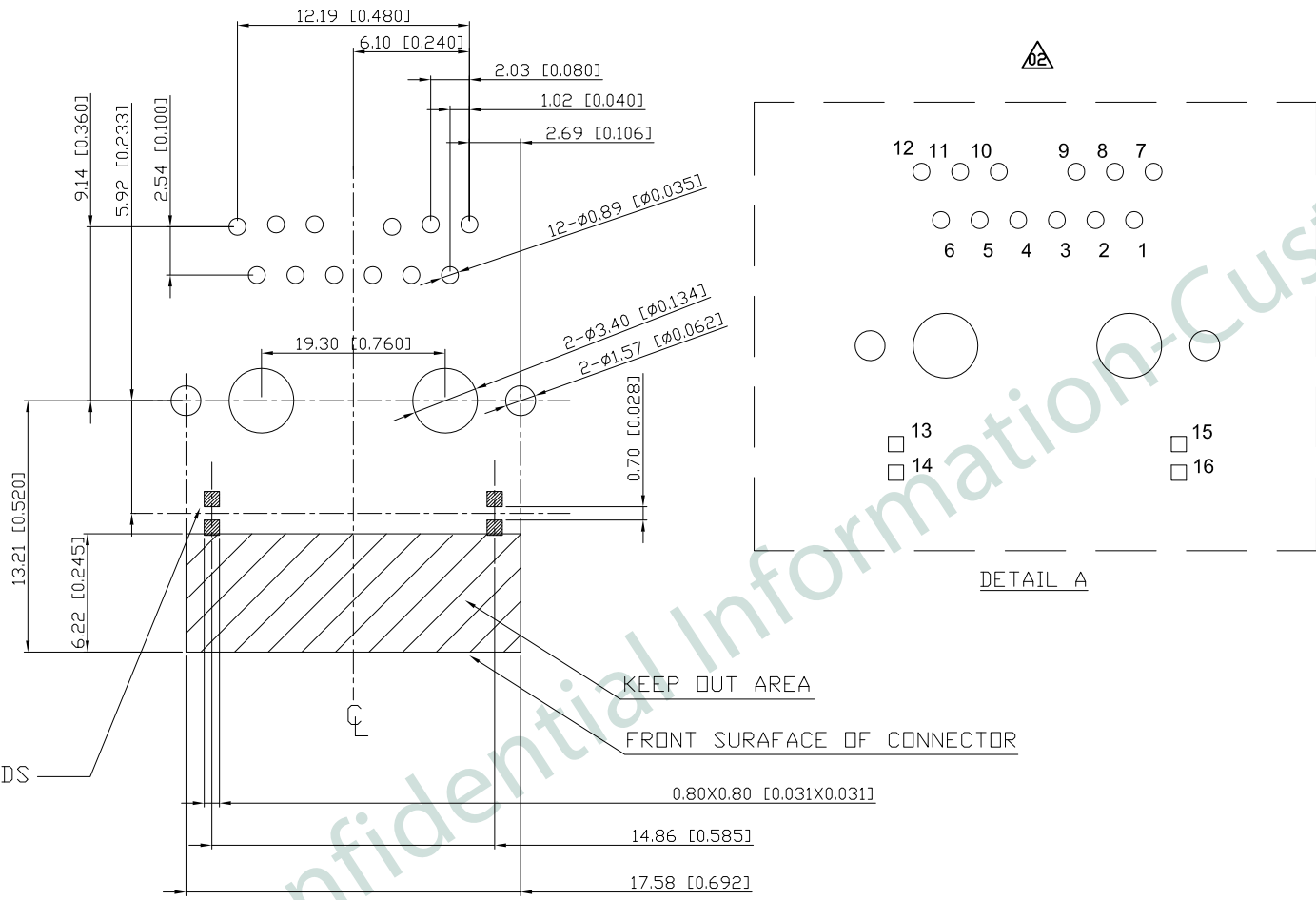
NOTES:

- MATERIAL:
HOUSING: HIGH THERMOPLASTIC, UL94V-0, BLACK
CONTACTS: 0.35mm THICK PHOS-BRONZE, PLATED WITH 30u" GOLD AND NICKEL UNDERPLATED ON ALL AREA
SOLDER PIN: 0.40mm DIA. PHOS-BRONZE PLATED WITH TIN
SHIELD: 0.20mm THICK COPPER ALLOY, PLATED WITH NICKEL
LIGHT PIPE: POLYCARBONATE
- OPERATING TEMPERATURE: 0°C~+70°C
- INSERTION FORCE: 4 POUNDS MAX.
EXTRACTION FORCE: 4 POUNDS MAX.
- DURABILITY: 750 MATING CYCLED MIN.
- CAVITY CONFORMS TO FCC RULES AND REGULATIONS PART 68, SUBPART F.
- PEAK SOLDERING TEMPRATURE IS 260°C MAX, 10 SECONDS MAX, FOR WAVE SOLDERING PROCESS.
- UNSPECIFIED TOLERANCE: .XX ±0.25[0.010]
.X ±0.30[0.012]

PART NO		KRG-011-0-SS5-0P0		
TITLE	RJ45, W/10G TRANSFORMER, W/LIGHT PIPE, SHIELDED			
REV : 02				
UNIT	DRAWN	CHKD	DATE	SHEET
mm[inch]	CINDY	DANIEL	Jan. 03, '18	1 of 5

2. PCB LAYOUT :

A
B
C
D
E
F



P#	DEFINITION
P1	CT
P2	MD(1)-
P3	MD(1)+
P4	MD(2)+
P5	MD(2)-
P6	CT
P7	CT
P8	MD(0)+
P9	MD(0)-
P10	MD(3)-
P11	MD(3)+
P12	CT
P13	LEFT LIGHT PIPE
P14	LEFT LIGHT PIPE
P15	RIGHT LIGHT PIPE
P16	RIGHT LIGHT PIPE

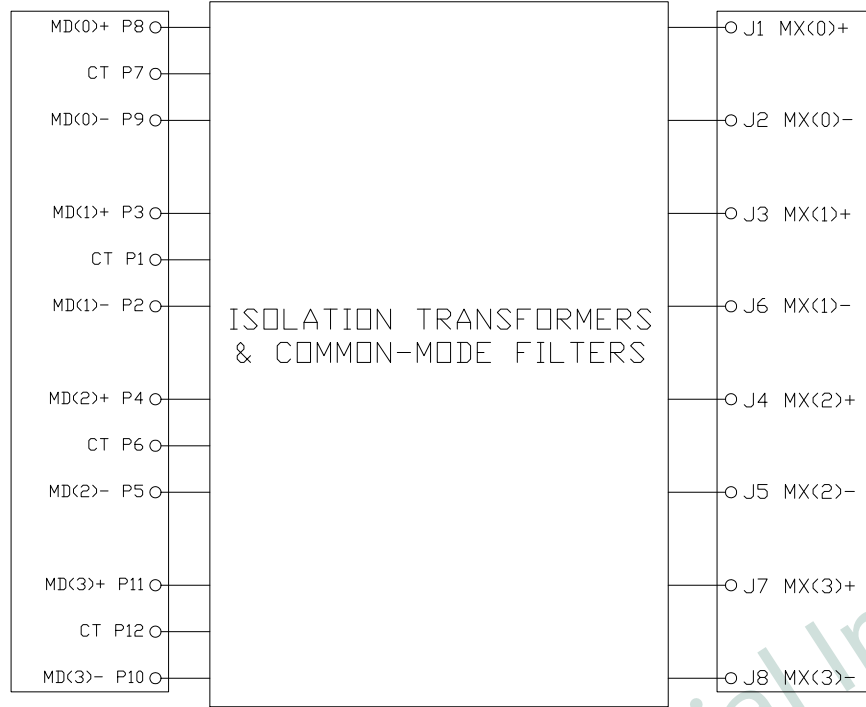
SUGGESTED PCB LAYOUT
(TOP VIEW) SCALE 2:1
DIMENSIONAL TOLERANCE: .XX ±0.08[0.003]

PART NO		KRG-011-0-SS5-0P0		
TITLE	RJ45, W/10G TRANSFORMER, W/LIGHT PIPE, SHIELDED			
REV : 02				
UNIT	DRAWN	CHKD	DATE	SHEET
mm[inch]	CINDY	DANIEL	Jan. 03, '18	2 of 5

3. SCHEMATIC :

LAN CHIP SIDE

RJ CABLE SIDE



ISOLATION TRANSFORMERS
& COMMON-MODE FILTERS

4. ELECTRICAL CHARACTERISTICS :

TEST NOTES:(25±5°C)

1. INSERTION LOSS:
 -0.6dB MAXIMUM AT 1MHz TO 100MHz
 -1.0dB MAXIMUM AT 100MHz TO 200MHz
 -1.5dB MAXIMUM AT 200MHz TO 300MHz
 -2.0dB MAXIMUM AT 300MHz TO 400MHz
2. RETURN LOSS AT THE PHY SIDE:
 -20dB MINIMUM AT 1MHz TO 100MHz
 -16dB MINIMUM AT 100MHz TO 200MHz
 -10dB MINIMUM AT 200MHz TO 500MHz
 -9dB MINIMUM AT 500MHz TO 600MHz
 -2dB MINIMUM AT 600MHz TO 800MHz
3. CROSS TALK:
 -30dB MINIMUM AT 100MHz TO 500MHz
4. CM TO DM REJECTION:
 -35dB MINIMUM AT 1MHz TO 500MHz
5. CM TO CM REJECTION:
 -10dB MINIMUM AT 1MHz TO 300MHz
 -12dB MINIMUM AT 300MHz TO 400MHz
 -15dB MINIMUM AT 400MHz TO 500MHz
 -16dB MINIMUM AT 500MHz TO 600MHz
6. HIPOT:
 INPUT TO OUTPUT : 1500VAC FOR 60 SECONDS

KRG-011-0-SS5-0P0-HL8

PRODUCT SERIES
KRG: LATCH DOWN

MECHANICAL TYPE
01: 1 PORT, HIGHT=11.38mm,
LENGTH=24.13mm, STRAIGHT PINS
PIN, GROUNDING & PEG LENGTH=1.8mm

LED COLOR OPTION

CIRCUIT TYPE

SPECIAL CODE
0: STANDARD

SHIELDED TYPE
P: EMI FINGER ON ALL SIDE & W/O GROUND LUG

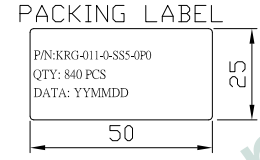
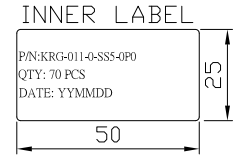
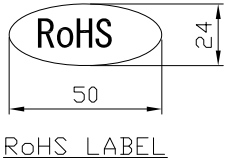
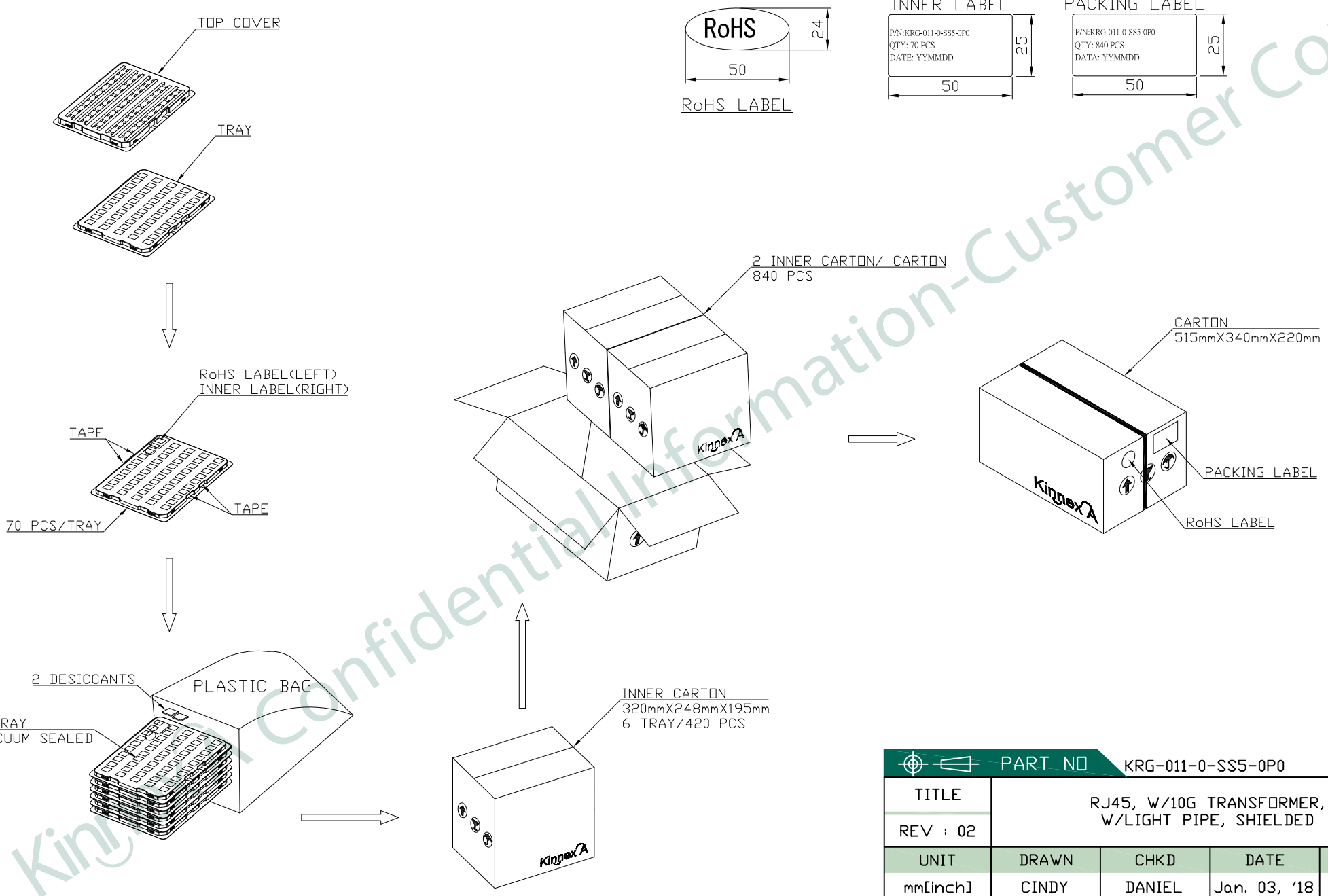
LED POLARITY
0: W/O LED

CUSTOMER CODE

PART NO		KRG-011-0-SS5-0P0		
TITLE	RJ45, W/10G TRANSFORMER, W/LIGHT PIPE, SHIELDED			
REV : 02				
UNIT	DRAWN	CHKD	DATE	SHEET
mm[inch]	CINDY	DANIEL	Jan. 03, '18	3 of 5

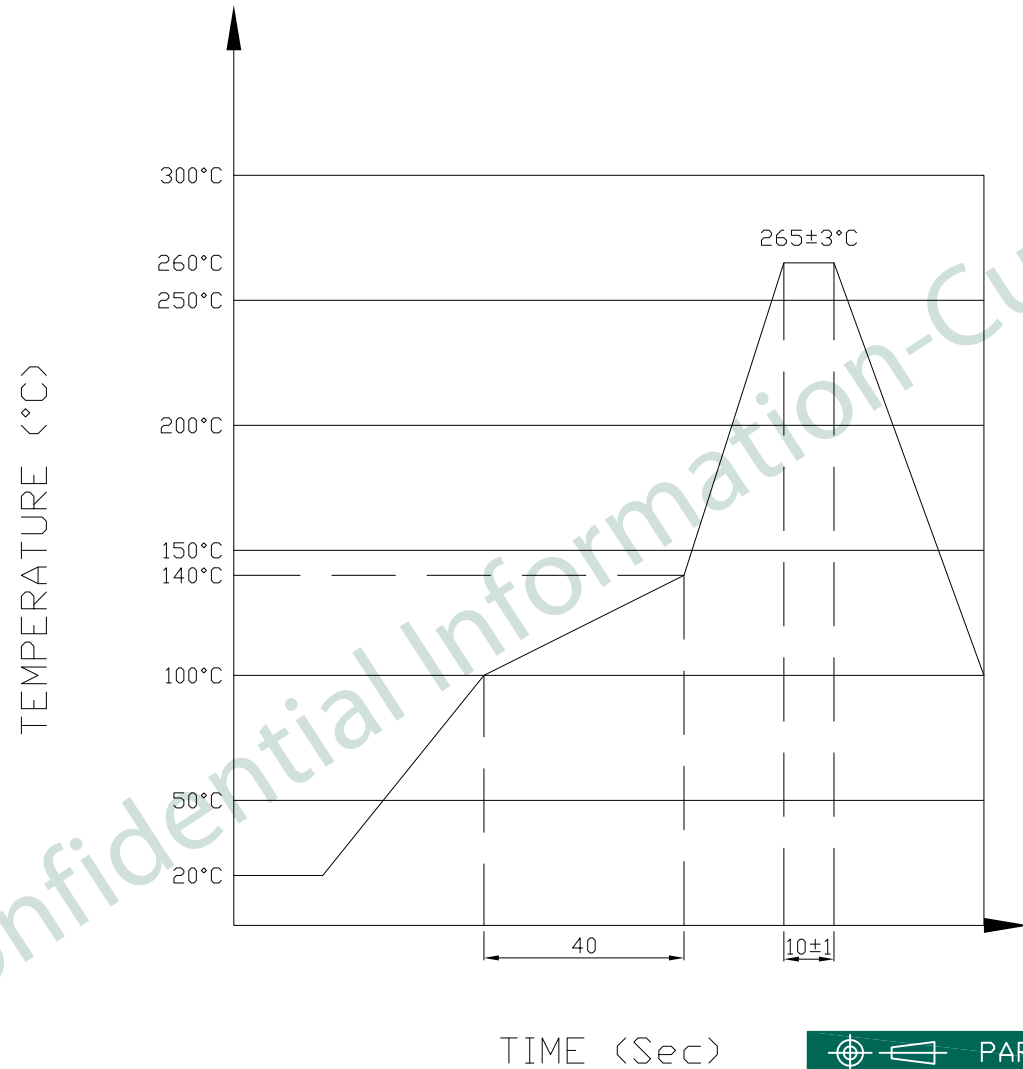
5. PACKING SPECIFICATION:

A
B
C
D
E
F

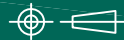


PART NO		KRG-011-0-SS5-0P0		
TITLE	RJ45, W/10G TRANSFORMER, W/LIGHT PIPE, SHIELDED			
REV : 02				
UNIT	DRAWN	CHKD	DATE	SHEET
mm[inch]	CINDY	DANIEL	Jan. 03, '18	4 of 5

6. PROFILE OF WAVE SOLDER : 



The measuring point for the specified temperature shall be on the soldered part of the lead

 PART NO		KRG-011-0-SS5-0P0		
TITLE	RJ45, W/10G TRANSFORMER, W/LIGHT PIPE, SHIELDED			
REV : 02				
UNIT	DRAWN	CHKD	DATE	SHEET
mm[inch]	CINDY	DANIEL	Jan. 03, '18	5 of 5