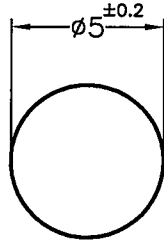
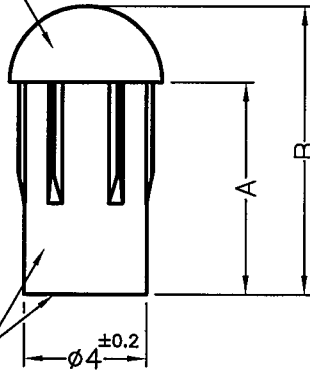


| DIM. | TOL. |
|-----------|------|
| L≤10 | ±0.2 |
| 10<L≤30 | ±0.3 |
| 30<L≤50 | ±0.5 |
| 50<L≤100 | ±0.7 |
| 100<L≤250 | ±1.2 |
| ABOVE 250 | ±1.5 |



FOG FACE TEXTURE
圓球面做霧面處理



POLISHED TEXTURE
亮面處理

MOUNTING HOLE $\phi 4.2$

| PART NO. | A | B |
|-----------|----|------|
| LEM-53-7 | 7 | 9.5 |
| LEM-53-19 | 19 | 21.5 |

NOTE:MADE OF EQUIVALENT MATERIAL.
可使用同等材質.



康揚企業股份有限公司
KANG YANG HARDWARE ENTERPRISE CO., LTD.
康揚塑膠(東莞)有限公司
KANG YANG PLASTIC(DONG GUAN)CO.,LTD.
康哲電腦配件(吳江)有限公司
KANG CHE COMPUTER COMPONENTS(WUJIANG)CO.,LTD.

| | | | | | | | | |
|---|----------|------------|---------------------------------------|----------------|----------|----------|------------|-----------|
| PROPRIETARY AND CONFIDENTIAL THE INFORMATION CONTAINED IN THIS DRAWING IS THE SOLE PROPERTY OF KANG YANG HARDWARE ENTERPRISE CO. ANY REPRODUCTION IN PART OR AS A WHOLE WITHOUT THE WRITTEN PERMISSION OF KANG YANG HARDWARE ENTERPRISE CO. IS PROHIBITED. DO NOT SCALE DRAWING | DATE | 2015.06.17 | TITLE | LED LIGHT PIPE | DWG. NO. | LEM-53-H | PART NO. | SEE ABOVE |
| | DRAWN | LUKE | MATERIAL | PC UL94V-2 | SIZE | A4 | SPEC. DWG. | REV |
| | CHECKED | | COLOR | TRANSPARENT | FINISH | | | A |
| | APPROVED | | UNLESS OTHERWISE SPECIFIED TOLERANCE: | SEE ABOVE | SCALE: | 4:1 | UNIT | mm |