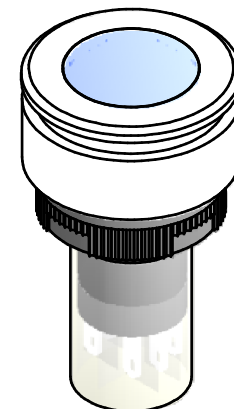
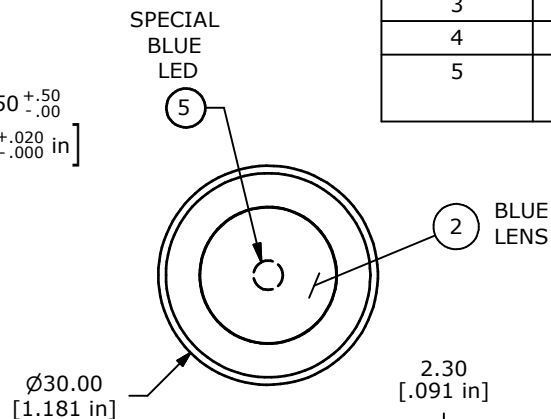
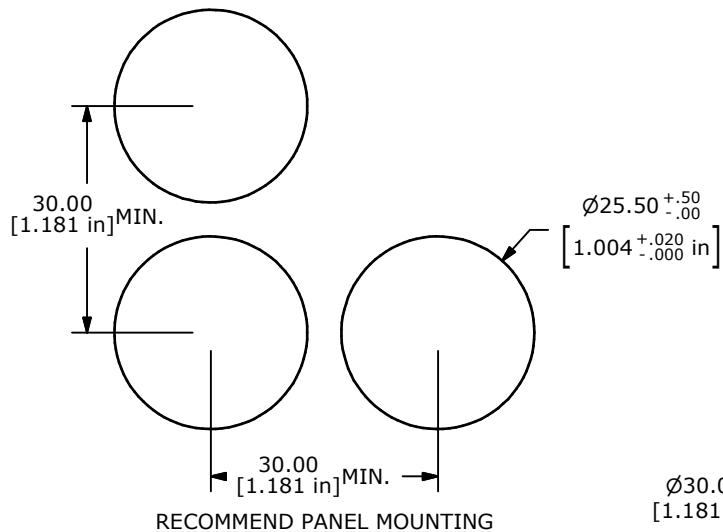
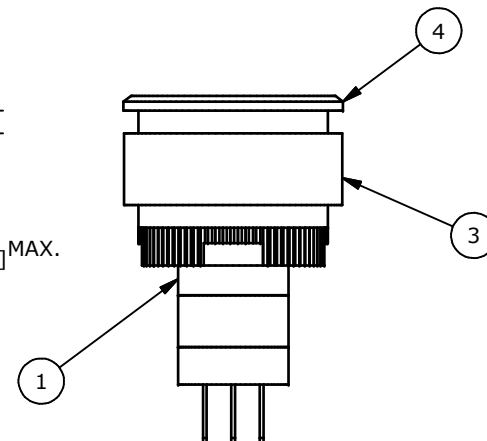
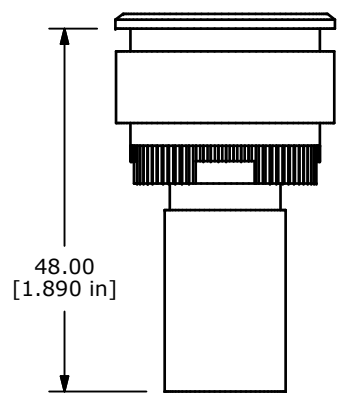


▲ Parts List

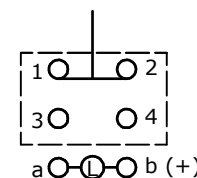
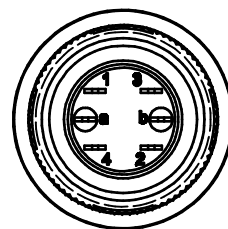
ITEM	QTY	PART NUMBER	DESCRIPTION
1	1	F060621	LAKOAV11 BODY
2	1	F060251	25 MM BLUE LENS SUB-ASSY (OPAQUE)
3	1	F051705	30MM FLUSH MOUNT RETAINER
4	1	F051704	30MM FLUSH MOUNT BEZEL
5	1	Z000006	LED BLUE 12V (WITH GROOVE BASE) DIGI-KEY #L1121-ND



ISOMETRIC



PROTECTIVE COVER
REMOVED FOR
CLARITY



▲ SPDT
CONTACT CONFIGURATION

NOTES:

1. ALL DIMENSIONS IN MM [INCH].
2. GENERAL TOLERANCE: 0.0= 0.4
0.00= 0.25
3. TERM. NOS. FOR REF. ONLY.
- ▲ 4. RATING: 5A @250VAC
8A @125VAC
0.2A @250VDC
6A @24VDC
5. INSULATION: 1,000 MΩ MIN.
6. DIELECTRIC STRENGTH: 2000V FOR 1 MIN.
7. SEALED TO IP65.
8. TRAVEL: 3.0MM FULL TRAVEL, 2.0MM LATCH
9. ELECTRICAL LIFE: >50,000 CYCLES
10. OPERATING TEMP: -25C TO +55C
11. PANEL THICKNESS: 0.5MM TO 3.0MM
- ▲ 12. LAMP: BLUE LED
13. ▲ DENOTES CRITICAL PARAMETER.
14. PACKAGE: BOX/20 PCS PER.
15. 2002/95/EC (ROHS) COMPLIANT



B	18353	PARTS LIST CHANGED FOR LENS NUMBER	1/5/09	BLR
A	18325	RELEASE FOR PRODUCTION	12/2/08	BLR
REV	PCR NO	DESCRIPTION	DATE	BY

TITLE LAKOAV31BBLU				
SCALE 1:1	DATE 1/5/2009	DR BLR	DWG XF0776A	REV B

THE INFORMATION CONTAINED IN THIS DOCUMENT IS PROPRIETARY TO E-SWITCH AND IS NOT TO BE COPIED OR TRANSFERRED