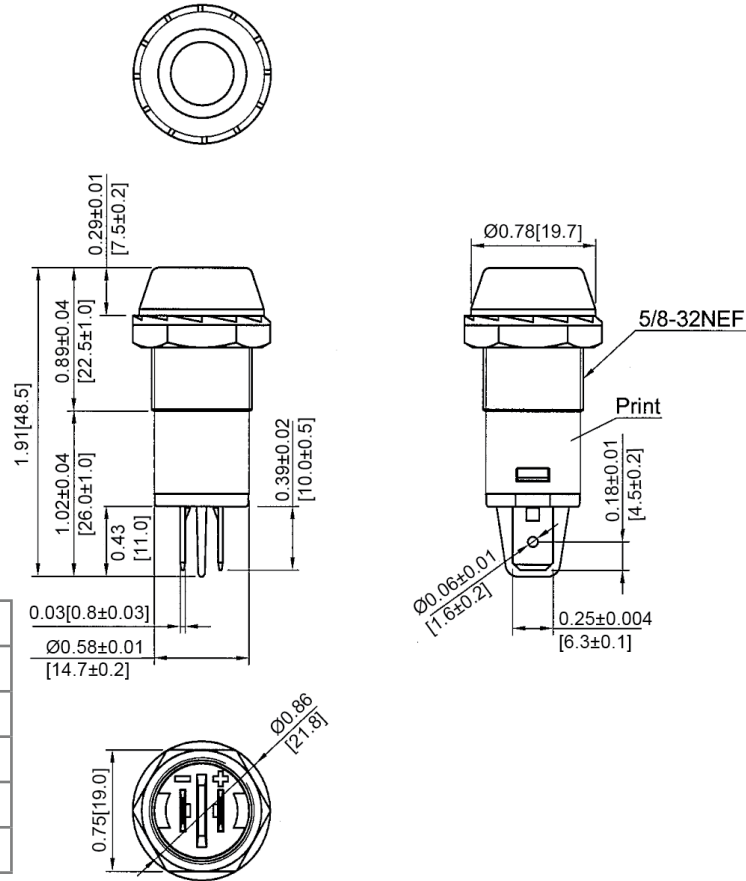


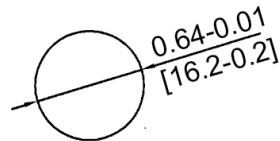
**Mechanical Dimensions: Inches [mm]**

Tolerances  $\pm 0.012$  [0.3] Unless Otherwise Specified



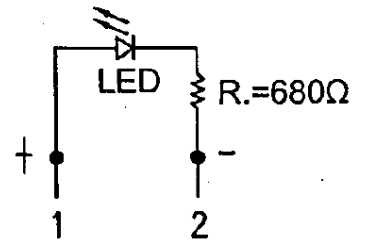
<b>LED Color</b>	Amber
<b>Lens Color</b>	White Diffused
<b>VF</b>	2.4V
<b>IF</b>	20mA
<b>Iv (mcd)</b>	200mcd
<b>Viewing Angle</b>	120°

**Mounting Hole**



Panel Thickness: 0.02-0.35 [0.5~9.0]

**Circuit Diagram**



**Electrical Specifications**

<b>Voltage Rating</b>	12VDC
<b>Insulation Resistance</b>	DC 500V 100M ohms
<b>Dielectric Strength</b>	AC 1500V 1 min
<b>Operating Temperature</b>	-25°C ~ 85°C

**Material Specifications**

<b>LED Size</b>	10mm
<b>Body</b>	Nylon 66 (UL94V-2)
<b>Base</b>	Nylon 66 (UL94V-2)
<b>Terminal</b>	Brass, Nickel Plated

**Rev**    **Date of issue**    **Revision Notes**

**Designed**    **Approved**

A	11-30-2020	Initial Drawing	RC	OF
---	------------	-----------------	----	----