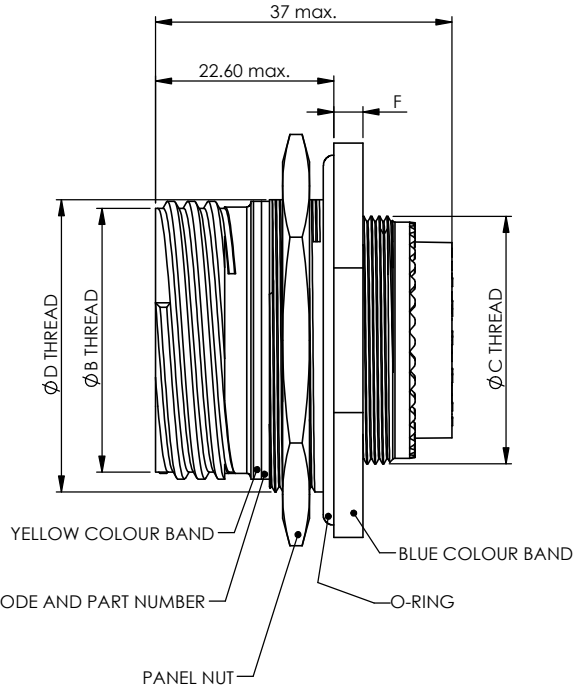
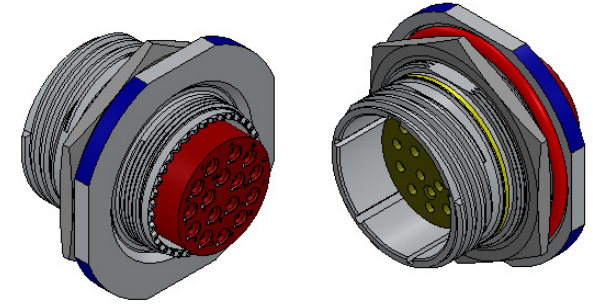


21-16 ARRANGEMENT
REFERENCE ONLY



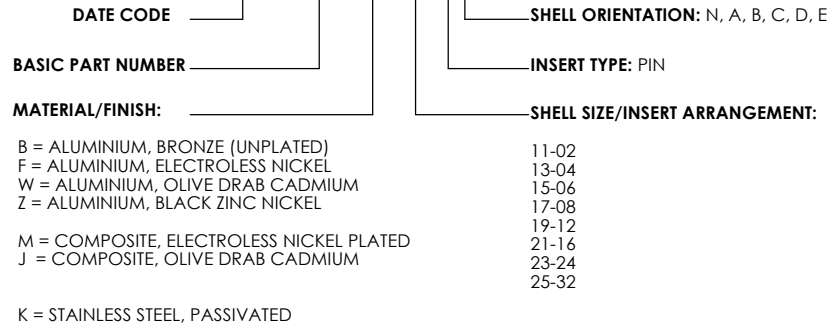
2 DATE CODE AND PART NUMBER



NOTES:

1. DUST CAPS TO BE FITTED TO CONNECTORS. CABLE ASSEMBLY TO BE PACKED IN A PROTECTIVE BAG MARKED WITH A MINIMUM OF THE PART NUMBER, BATCH NUMBER, DATE CODE AND ITEM DESCRIPTION.

2 MC801 PART NUMBER EXAMPLE: H****D MC8017 -N -11-02 P N



SHELL SIZE	INSERT ARRANGEMENT	A SQ ±0.4	B THREAD STUB 60° MOD 1P-3L CLASS 2A (IN INCHES)	ØC THREAD	ØD THREAD	ØE	F +0.9/-0.1	G MAX A/F
11	2	31.80	0.7500	M15x1.0	M20x1.0	34.90	2.20	27
13	4	34.90	0.8750	M18x1.0	M25x1.0	38.10		32
15	6	38.10	1.0000	M22x1.0	M28x1.0	41.30		36
17	8	41.30	1.1875	M25x1.0	M32x1.0	44.50	3.00	37
19	12	46.00	1.2500	M28x1.0	M35x1.0	49.20		41
21	16	49.20	1.3750	M31x1.0	M38x1.0	52.40		46
23	24	52.40	1.5000	M34x1.0	M41x1.0	55.60		50
25	32	55.60	1.6250	M37x1.0	M44x1.0	58.70		51.23

BS8888 THIRD ANGLE PROJECTION	MATERIAL:	FINISH:	 DEUTSCH TE CONNECTIVITY UK LTD., ST. LEONARDS-ON-SEA, TN38 9RF, UK.	
	UNLESS OTHERWISE STATED: DIMENSIONS: mm [INCHES]			
IF IN DOUBT, ASK	SIZE: A3	SCALE: 1:1	DRAWING NUMBER: 460132-ENV	
			SHEET: 1 OF 1	ISSUE: AC

AC	DUK-70340	MJH	NPO	MJH	NT	08/10/2019
ISSUE	CHANGE NOTE	DRAWN	CHECKED	APP. ENG.	APP. MARKETING	DATE