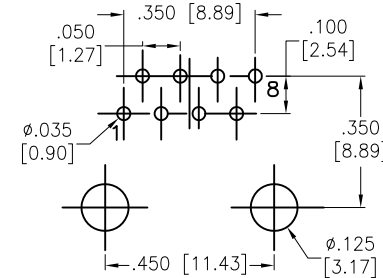
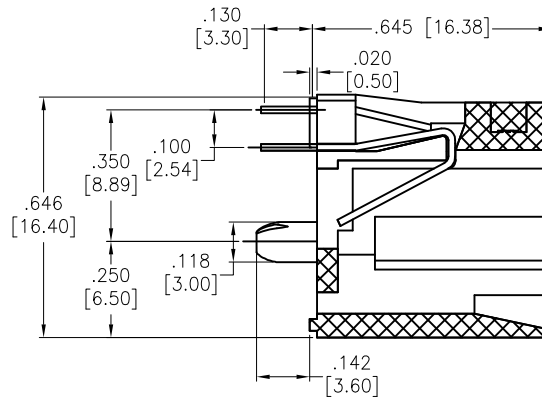
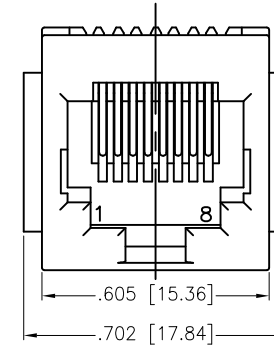
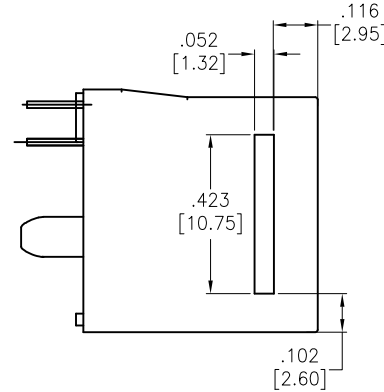
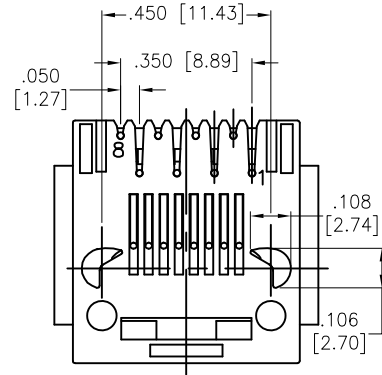


APPROVED: \_\_\_\_\_  
 DATE: \_\_\_\_\_ TITLE: \_\_\_\_\_

Rev	AWO #	Description	Date	Apr
-		RELEASED	3/6/07	
A		REDRAWN	11/15/11	
B		UPDATED PLATING SPECS	3/19/13	
C		ADDED DIMENSIONS	11/8/16	SS
D		UPDATE DRAWING	3/11/22	WX/RL



RECOMMENDED PCB LAYOUT

**SPECIFICATIONS:**

Material:  
 Insulator: PBT, rated UL 94V-0  
 Insulator color: Black  
 Contacts: .018" [0.46] Dia. Round, Phosphor Bronze  
 Plating:  
 Gold over Nickel underplate overall  
 Electrical:  
 Voltage rating: 150 VAC  
 Current rating: 1.5 Amps max  
 Contact Resistance: 20 mohms max  
 Insulation resistance: 500 Mohms min  
 Dielectric withstanding voltage: 1,000 VDC or AC Peak for 1 minute  
 Temperature Rating:  
 Operating temperature: -40°C to +85°C  
 Environmental:  
 Lead free, RoHS compliant.



UNLESS OTHERWISE SPECIFIED ALL DIMENSIONS ARE INCHES [MM]. TOLERANCES: EXCEPT AS NOTED		
INCHES	HOLES	
.X ± .10	ØX	± .10
.XX ± .020	ØXX	± .015
.XXX ± .015	ØXXX	± .010



909 Rahway Avenue,  
 Union, NJ 07083  
 Phone: 908-687-5000  
 Fax: 908-687-5710

DRAWN	SS	3/6/2007
CHECKED		
APPROVED		
THIS DRAWING CONTAINS INFORMATION THAT IS PROPRIETARY AND SHOULD NOT BE USED WITHOUT PRIOR WRITTEN PERMISSION FROM ADAM TECH		

TITLE		MODULAR TELEPHONE JACK, 8P8C TOP ENTRY, 0.46MM ROUND PCB CONTACT	
SIZE	PART NO.	REV.	
X	MTJ-883X1	D	
REF:	S00005C	SCALE:	NTS
		SHEET	1 OF 1