

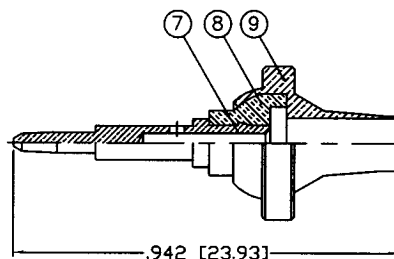
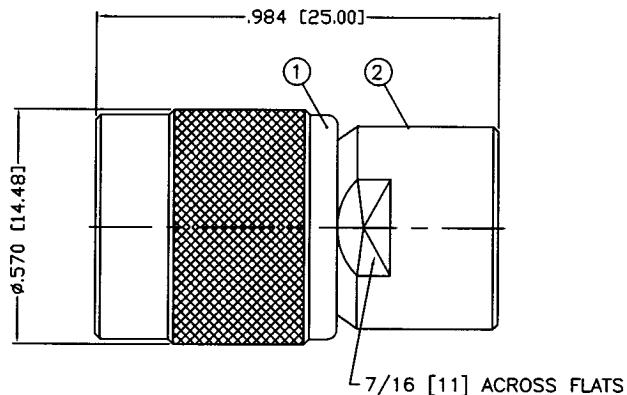
THIS DRAWING CONTAINS INFORMATION PROPRIETARY TO RF INDUSTRIES,  
 ANY UNAUTHORIZED USE OF THIS DRAWING IS EXPRESSLY PROHIBITED  
 WITHOUT WRITTEN PERMISSION FROM RF INDUSTRIES.  
 ANY VIOLATION IS PUNISHABLE UNDER U.S. COPYRIGHT LAWS.

ALL DIMENSIONS ARE REFERENCE ONLY

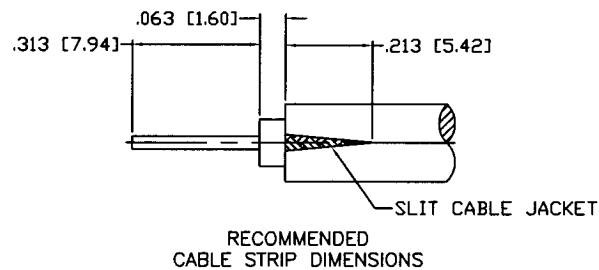
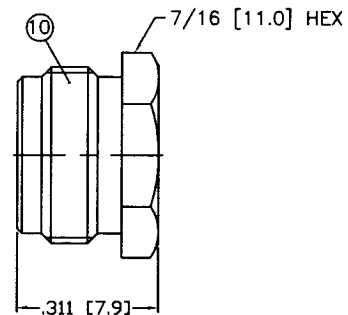
PART NO.

**RFT-1204**

REV	DESCRIPTION	DWN	DATE	APPROVED
-	ENGINEERING RELEASE	JDM	4/15/03	JDMc



CRIMP USING .068" HEX DIE



RECOMMENDED CABLE STRIP DIMENSIONS

1	SHELL	1	BRASS	NICKEL, 100 μ"
2	BODY	1	BRASS	NICKEL, 100 μ"
3	GASKET	1	RUBBER	---
4	C-RING	1	BRASS	NICKEL, 100 μ"
5	BUSHING	1	BRASS	NICKEL, 100 μ"
6	INSULATOR	1	DELFIN	---
7	PIN	1	BRASS	SILVER, 100 μ"
8	INSULATOR	1	PTFE	---
9	CLAMP	1	BRASS	SILVER, 100 μ"
10	CLAMP NUT	1	BRASS	NICKEL, 100 μ"
11				
12				
13				
14				
#	DESCRIPTION	QTY	MATRL	FINISH

000486	
DRAWN	JDMc
CHECKED	JDMc 4/15/03
ORJ DRAWN	JDMc 4/15/03
APPROVALS	
DATE	

UNLESS OTHERWISE SPECIFIED:  
 1. REMOVE ALL BURRS  
 2. BREAK ALL CORNERS & EDGES .005 R. MAX.  
 3. CHAMFER 1ST & LAST THREADS 45°  
 4. SURFACE ROUGHNESS 63 FINISH MIL-STD-10  
 5. DIAMETERS ON COMMON CENTERS TO BE CONCENTRIC WITHIN .002 T.I.R.  
 6. ALL DIMENSIONS ARE AFTER PLATING.

DIMENSIONS ARE IN INCHES AND [MILLIMETERS]  
 UNLESS OTHERWISE NOTED TOLERANCES ARE:  
 DECIMALS      DIAMETER  
 .XXX±.003 [.08]      .XXX±.001 [.03]  
 .XX±.005 [.13]      .XX±.003 [.08]

7610 MIRAMAR RD  
 SAN DIEGO, CA 92126  
 (858) 549-6340  
 (858) 549-6345 FAX

**RF connectors**  
 DIVISION OF RF INDUSTRIES, LTD.

**TNC PLUG, CLAMP**  
 (FIXED CONTACT)

SIZE	CABLE GROUP	DWG NO.	REV
A	C	RFT-1204	-
SCALE: NTS		CAD FILE OUTLINE	SHEET 1 OF 1