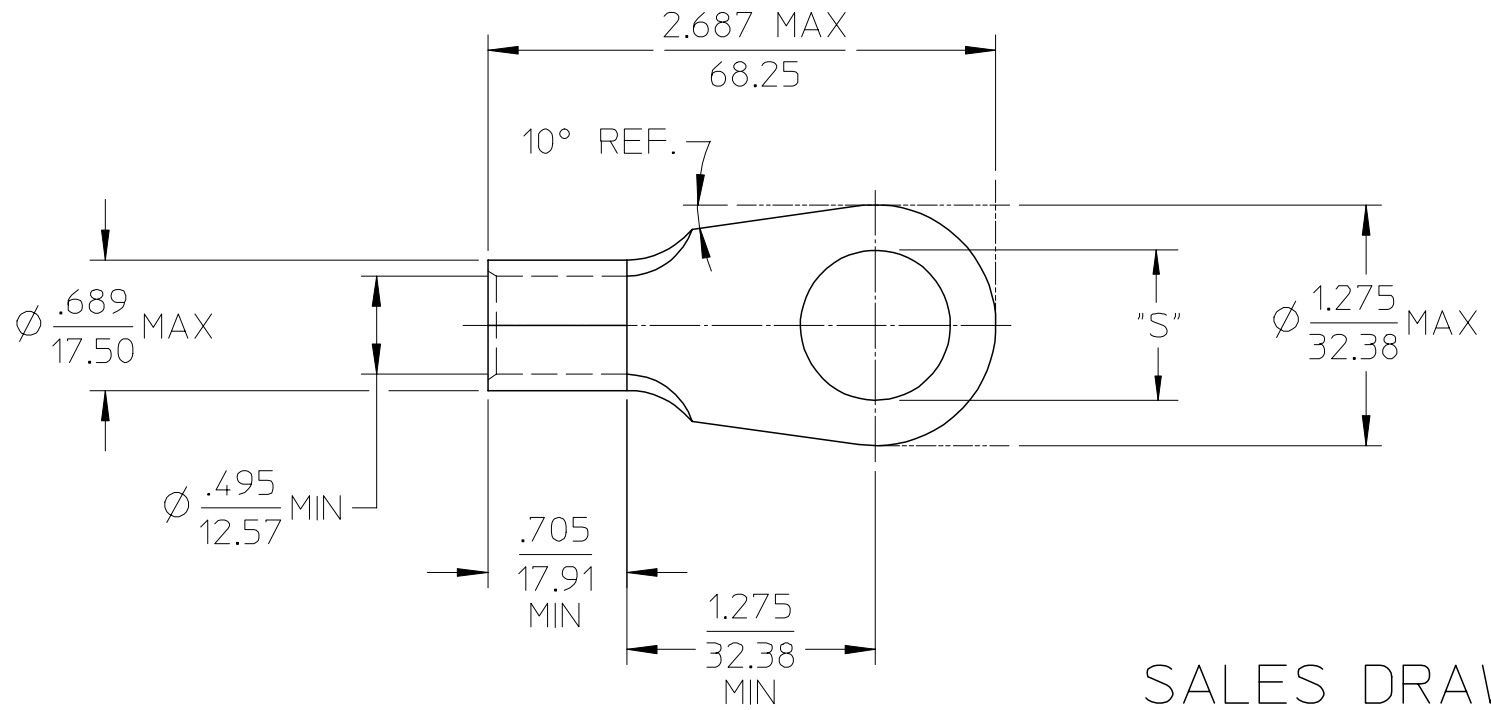


| MATERIAL NO. LOOSE PIECE | ENG. NO. | STUD SIZE | ±.003 "S" | STOCK THICKNESS |
|-----------------------------|----------|--------------|--------------|--------------------|
| 191930350 | J-387-12 | 1/2 | .515 | .083 (2.11) |
| 191930352 | J-387-58 | 5/8 | .656 | |
| 191930351 | J-387-34 | 3/4 | .781 | |
| 191930353 | J-387-78 | 7/8 | .906 | |

NOTE(S):
 1. MATERIAL: COPPER
 2. PLATING: ELECTROPLATE TIN
 3. ALL DIMENSIONS IN INCHES/(MM).
 4. WIRE SIZE: 2/0 AWG
 70 MM²



SALES DRAWING

| | | | | | | | | |
|---|--------------------------------------|--|----|--|--------------------------|---------------------------|--|------------------------------|
| REVISED/UPDATE TO MX STDS EC NO: ETC2003-0315 DRWN:DMYRICK 2003/08/20 CHKD:HEB 2003/08/21 APPR:RDEROSS 2003/08/21 | QUALITY SYMBOLS ▽ = 0 ▽ = 0 | GENERAL TOLERANCES (UNLESS SPECIFIED) | | SCALE 1:1 | DESIGN UNITS INCH | THIRD ANGLE PROJECTION | REVISE ON CAD ONLY | |
| | | 4 PLACES ± --- ± --- | mm | INCH | DIMENSION STYLE IN/MM | | TITLE RING TONGUE TERMINAL VERSAKRIMP 2/0 AWG | |
| | | 3 PLACES ± --- ± .005 | | | DRAWN BY DLM | DATE 03/06/13 | | |
| | | 2 PLACES ± 0.13 ± .01 | | | CHECKED BY HEB | DATE 03/06/13 | molex MOLEX INCORPORATED | |
| | | 1 PLACE ± 0.25 ± --- | | | APPROVED BY RWD | DATE 03/06/13 | MATERIAL NO. (SEE CHART) | DOCUMENT NO. SD-19193-027 |
| | | ANGULAR ±1/2° | | THIS DRAWING CONTAINS INFORMATION THAT IS PROPRIETARY TO MOLEX INCORPORATED AND SHOULD NOT BE USED WITHOUT WRITTEN PERMISSION | | | | |
| | | DRAFT WHERE APPLICABLE MUST REMAIN WITHIN DIMENSIONS | | | | | | |