

| NO OF SIGNAL | MATERIAL NUMBER | DIM A | DIM P | PCB THK |
|--------------|-----------------|-------|-------|---------|
| 12           | 45985-0111      | 12.5  | 4.50  | 3.18    |
| 16           | 45985-0121      | 15.0  |       |         |
| 20           | 45985-0131      | 17.6  |       |         |
| 24           | 45985-0141      | 20.1  |       |         |
| 28           | 45985-0151      | 22.6  |       |         |
| 32           | 45985-0161      | 25.2  | 3.60  | 2.36    |
| 36           | 45985-0171      | 27.7  |       |         |
| 40           | 45985-0181      | 30.3  |       |         |
| 12           | 45985-0112      | 12.5  |       |         |
| 16           | 45985-0122      | 15.0  |       |         |
| 20           | 45985-0132      | 17.6  | 2.90  | 1.57    |
| 24           | 45985-0142      | 20.1  |       |         |
| 28           | 45985-0152      | 22.6  |       |         |
| 32           | 45985-0162      | 25.2  |       |         |
| 36           | 45985-0172      | 27.7  |       |         |
| 40           | 45985-0182      | 30.3  | 2.90  | 1.57    |
| 12           | 45985-0113      | 12.5  |       |         |
| 16           | 45985-0123      | 15.0  |       |         |
| 20           | 45985-0133      | 17.6  |       |         |
| 24           | 45985-0143      | 20.1  | 2.90  | 1.57    |
| 28           | 45985-0153      | 22.6  |       |         |
| 32           | 45985-0163      | 25.2  |       |         |
| 36           | 45985-0173      | 27.7  |       |         |
| 40           | 45985-0183      | 30.3  |       |         |

NOTES:

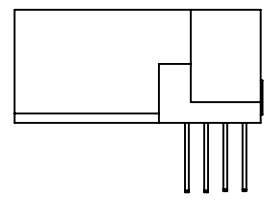
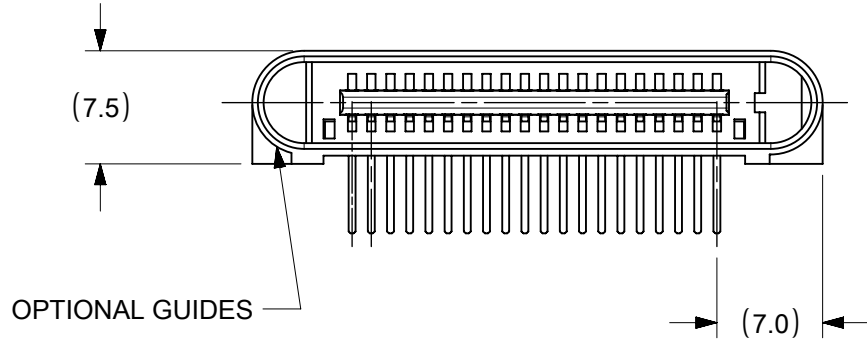
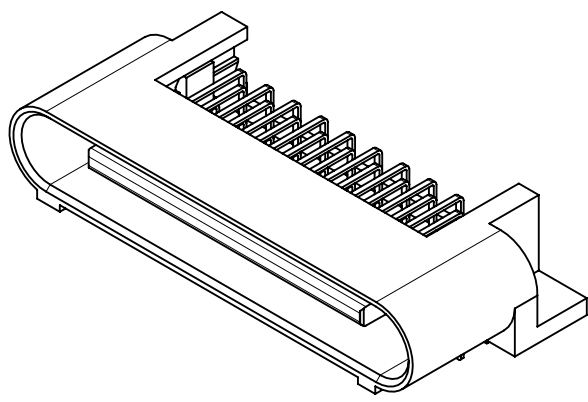
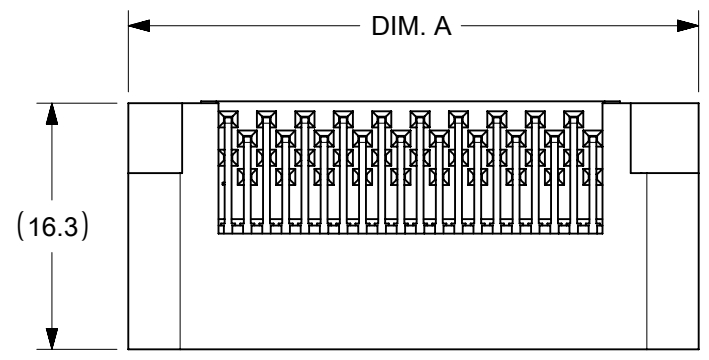
- MATERIAL:  
HOUSING: GLASS FILLED LCP (LIQUID CRYSTAL POLYMER); UL94V-0; COLOR: BLACK  
TERMINALS: COPPER ALLOY
- PLATING: 0.76 MICROMETER / (30 MICROINCH) MINIMUM SELECT GOLD  
3.81 MICROMETER / (150 MICROINCH) MINIMUM SELECT TIN, BOTH OVER  
1.27 MICROMETER / (50 MICROINCH) MINIMUM NICKEL OVERALL.
- PRODUCT SPECIFICATION: PS-45984-001.
- PACKAGING SPECIFICATION: PK-45984-001.
- SEE SHEET 5 FOR CIRCUIT IDENTIFICATION.
- PARTS ARE RoHS COMPLIANT.
- MATES WITH 45984, 46113 SERIES RECEPTACLE.

|         |   |       |  |  |                                |  |  |
|---------|---|-------|--|--|--------------------------------|--|--|
| SYMBOLS | THIS DRAWING CONTAINS INFORMATION THAT IS PROPRIETARY TO MOLEX ELECTRONIC TECHNOLOGIES, LLC AND SHOULD NOT BE USED WITHOUT WRITTEN PERMISSION |       | CURRENT REV DESC: CIRCUIT NO. 1 AND 2 ON PCB ARE CORRECTED |  |                                |  |  |
|         | DIMENSION UNITS   | SCALE |  |  |                                |  |  |
| ▽ = 0   | mm  | 2:1   | GENERAL TOLERANCES (UNLESS SPECIFIED)                      |  | PRODUCT CUSTOMER DRAWING       |  |  |
| ▽ = 0   |   |       |  |  | DOCUMENT NUMBER                |  |  |
| ▽ = 0   |   |       |  |  | DOC TYPE   DOC PART   REVISION |  |  |
| ▽ = 0   | 4 PLACES ±  |       | EC NO: 676774  |  | SD-45985-483                   |  |  |
| ▽ = 0   | 3 PLACES ±  |       | DRWN: CHETAB 2021/09/02                                    |  | PSD 001 D1                     |  |  |
| ▽ = 0   | 2 PLACES ± 0.25 ±   |       | CHK'D: MBELLE 2021/09/07                                   |  | SEE CHART                      |  |  |
| ▽ = 0   | 1 PLACE ±   |       | APPR: HTHYAGARAJ 2021/09/09                                |  | GENERAL MARKET                 |  |  |
| ▽ = 0   | 0 PLACES ±  |       | INITIAL REVISION:  |  | SHEET NUMBER                   |  |  |
| ▽ = 0   |   |       | DRWN: BANDURA 5/1/2006                                     |  | 1 OF 5                         |  |  |
| ▽ = 0   |   |       | APPR: PATEL 5/5/2006                                       |  |                                |  |  |
| ▽ = 0   | ANGULAR TOL ± 0.5°  |       | THIRD ANGLE PROJECTION                                     |  |                                |  |  |
| ▽ = 0   | DRAFT WHERE APPLICABLE MUST REMAIN WITHIN DIMENSIONS  |       | DRAWING  |  |                                |  |  |
| ▽ = 0   |   |       | SERIES   |  |                                |  |  |
| ▽ = 0   |   |       | B-SIZE 45985   |  |                                |  |  |

10 9 8 7 6 5 4 3 2 1

F  
E  
D  
C  
B  
A

F  
E  
D  
C  
B  
A



| NO OF SIGNAL | MATERIAL NUMBER | DIM A | DIM P | PCB THK |
|--------------|-----------------|-------|-------|---------|
| 12           | 45985-0211      | 19.9  | 4.50  | 3.18    |
| 16           | 45985-0221      | 22.5  |       |         |
| 20           | 45985-0231      | 25.0  |       |         |
| 24           | 45985-0241      | 27.6  |       |         |
| 28           | 45985-0251      | 30.1  |       |         |
| 32           | 45985-0261      | 32.6  | 3.60  | 2.36    |
| 36           | 45985-0271      | 35.2  |       |         |
| 40           | 45985-0281      | 37.7  |       |         |
| 12           | 45985-0212      | 19.9  |       |         |
| 16           | 45985-0222      | 22.5  |       |         |
| 20           | 45985-0232      | 25.0  | 2.90  | 1.57    |
| 24           | 45985-0242      | 27.6  |       |         |
| 28           | 45985-0252      | 30.1  |       |         |
| 32           | 45985-0262      | 32.6  |       |         |
| 36           | 45985-0272      | 35.2  |       |         |
| 40           | 45985-0282      | 37.7  | 2.90  | 1.57    |
| 12           | 45985-0213      | 19.9  |       |         |
| 16           | 45985-0223      | 22.5  |       |         |
| 20           | 45985-0233      | 25.0  |       |         |
| 24           | 45985-0243      | 27.6  |       |         |
| 28           | 45985-0253      | 30.1  |       |         |
| 32           | 45985-0263      | 32.6  |       |         |
| 36           | 45985-0273      | 35.2  |       |         |
| 40           | 45985-0283      | 37.7  |       |         |

|   |   |  |  |  |  |  |
|---|---|--|--|--|--|--|
| <b>SYMBOLS</b><br>DIMENSION UNITS: mm<br>SCALE: 2:1<br>GENERAL TOLERANCES (UNLESS SPECIFIED):<br>4 PLACES ±<br>3 PLACES ±<br>2 PLACES ± 0.25<br>1 PLACE ±<br>0 PLACES ±<br>ANGULAR TOL ± 0.5°<br>DRAFT WHERE APPLICABLE MUST REMAIN WITHIN DIMENSIONS<br>THIRD ANGLE PROJECTION<br>DRAWING: B-SIZE<br>SERIES: 45985 | THIS DRAWING CONTAINS INFORMATION THAT IS PROPRIETARY TO MOLEX ELECTRONIC TECHNOLOGIES, LLC AND SHOULD NOT BE USED WITHOUT WRITTEN PERMISSION<br>CURRENT REV DESC: CIRCUIT NO. 1 AND 2 ON PCB ARE CORRECTED<br>EC NO: 676774<br>DRWN: CHETAB 2021/09/02<br>CHK'D: MBELLE 2021/09/07<br>APPR: HTHYAGARAJ 2021/09/09<br>INITIAL REVISION:<br>DRWN: BANDURA 5/1/2006<br>APPR: PATEL 5/5/2006 |  |  | <br>LPH PLUG ASSEMBLY SIGNAL CONNECTOR<br>PRODUCT CUSTOMER DRAWING |  |  |
|   | DOCUMENT NUMBER: SD-45985-483<br>DOC TYPE: PSD<br>DOC PART: 001<br>REVISION: D1   |  |  |  |  |  |
|   | MATERIAL NUMBER: SEE CHART<br>CUSTOMER: GENERAL MARKET<br>SHEET NUMBER: 2 OF 5  |  |  |  |  |  |

|                 |    |              |            |          |
|-----------------|----|--------------|------------|----------|
| DOCUMENT STATUS | P1 | RELEASE DATE | 2021/09/09 | 11:58:04 |
|-----------------|----|--------------|------------|----------|

10 9 8 7 6 5 4 3 2 1





