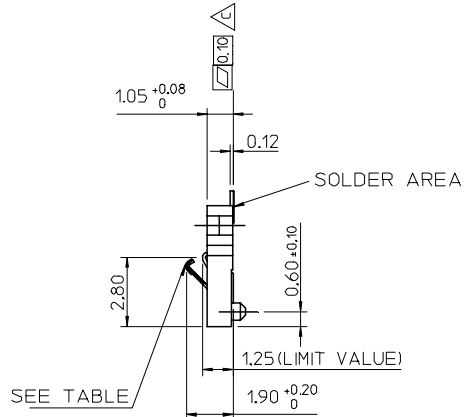
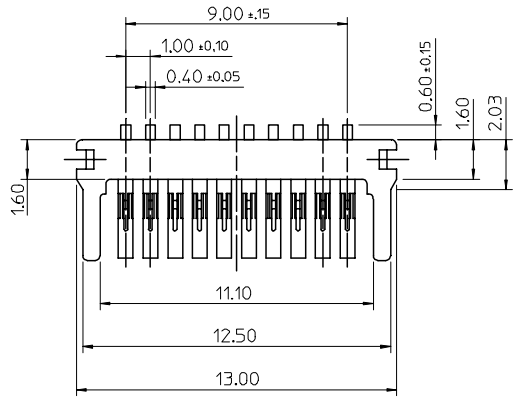


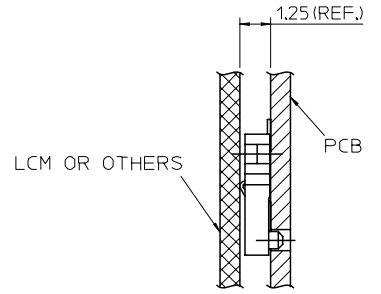
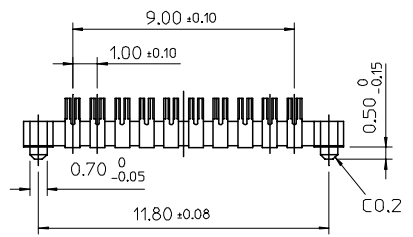
10 9 8 7 6 5 4 3 2 1

F
E
D
C
B
A

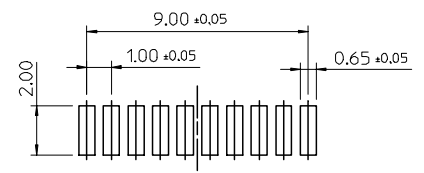
F
E
D
C
B
A



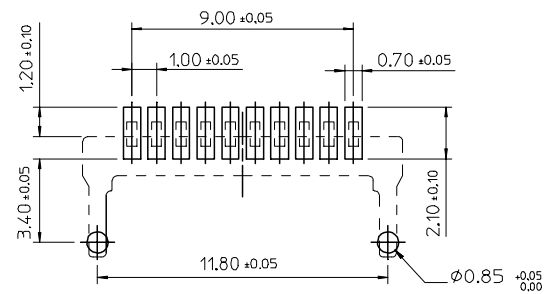
- NOTES:
- △ 1. MATERIAL:
HOUSING: LIQUID CRYSTAL POLYMER, GLASS FIBER FILLED, UL94V-0,
COLOR : BLACK.
TERMINAL: PHOSPHOR BRONZE.
 - △ 2. FINISH: TERMINAL:
CONTACT AREA : SEE TABLE.
GOLD FLASH PLATING SOLDERING AREA.
NICKEL UNDERPLATED OVER ALL
 - △ 3. SPECIFICATION: REFER TO PS-67765-001.
 - △ 4. PACKAGE: REFER TO PK-67765-001.
 - △ 5. TEST SUMMARY: REFER TO TS-67765-001
 - △ 6. RECOMMENDED WORKING DISTANCE : 1.25 mm POSITION.
 - △ 7. COPLANARITY: 0.10mm MAX.
 - △ 8. LEAD FREE & ROHS COMPLIANCE PRODUCT



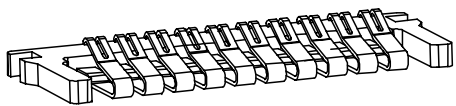
△ RECOMMENDED MATING SECTION DRAWING



SURFACE CONTACT LAYOUT



RECOMMENDED PCB. LATOUT (TOP VIEW)



PER PDR CM0064 EC NO: SH2005-0367 DRWN:ALLIN CHKD: APPR:WWSCHANG 2005/06/28 2005/07/01 2005/07/04	QUALITY SYMBOLS ▽=0 △=0	GENERAL TOLERANCES (UNLESS SPECIFIED) <table border="1"> <thead> <tr> <th></th> <th>mm</th> <th>INCH</th> </tr> </thead> <tbody> <tr> <td>4 PLACES</td> <td>± ---</td> <td>± ---</td> </tr> <tr> <td>3 PLACES</td> <td>± ---</td> <td>± ---</td> </tr> <tr> <td>2 PLACES</td> <td>± 0.25</td> <td>± ---</td> </tr> <tr> <td>1 PLACE</td> <td>± 0.25</td> <td>± ---</td> </tr> </tbody> </table> ANGULAR ± 3 °		mm	INCH	4 PLACES	± ---	± ---	3 PLACES	± ---	± ---	2 PLACES	± 0.25	± ---	1 PLACE	± 0.25	± ---	DIMENSION STYLE MM ONLY	SCALE 1:1	DESIGN UNITS METRIC	THIRD ANGLE PROJECTION
		mm	INCH																		
	4 PLACES	± ---	± ---																		
	3 PLACES	± ---	± ---																		
2 PLACES	± 0.25	± ---																			
1 PLACE	± 0.25	± ---																			
DRAWN BY JARRY	DATE 2005/05/19	TITLE 1.0 PITCH ONE PIECE 10 PIN CONNECTOR SMT (LEAD FREE VERSION)		MOLEX INCORPORATED																	
CHECKED BY ALL IN	DATE 2005/05/20	APPROVED BY WWSCHANG		DATE 2005/05/20	MOLEX INCORPORATED																
REV C	DESCRIPTION	DRAFT WHERE APPLICABLE MUST REMAIN WITHIN DIMENSIONS	MATERIAL NO. SEE TABLE	DOCUMENT NO. SD-67765-001	SHEET NO. 1 OF 2	THIS DRAWING CONTAINS INFORMATION THAT IS PROPRIETARY TO MOLEX INCORPORATED AND SHOULD NOT BE USED WITHOUT WRITTEN PERMISSION															

9 8 7 6 5 4 3 2 1

10 9 8 7 6 5 4 3 2 1

F

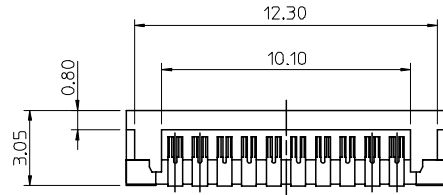
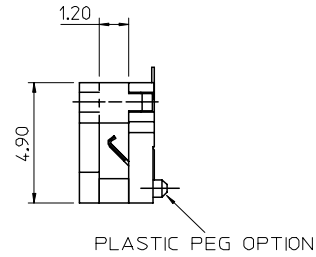
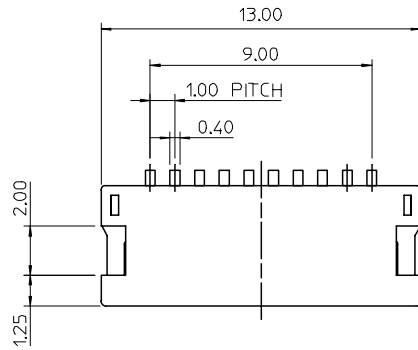
F

NOTES:



1. MATERIAL :

HOUSING: LIQUID CRYSTAL POLYMER, GLASS FIBER FILLED, UL94V-0, COLOR : BLACK.



ASSEMBLY W/PICK AND PLACE COVER

MOLEX P/N	CONTACT PLATING	CONTACT ASSEMBLY	POST
67765-0000	5 MICROINCH GOLD	WITHOUT COVER	WITHOUT POST
67765-0001	5 MICROINCH GOLD	WITH BLACK COVER	WITHOUT POST
67765-0010	5 MICROINCH GOLD	WITHOUT COVER	WITH POST
67765-0011	5 MICROINCH GOLD	WITH WHITE COVER	WITH POST
67765-1001	15 MICROINCH GOLD	WITH WHITE COVER	WITHOUT POST



B

B

A

A

SEE SHEET 1 EC NO: SH2005-0367 DRWN: ALLIN CHKD: APPR: WWSCHANG	2005/06/28	2005/07/01	2005/07/04
	DESCRIPTION		
	REV		

QUALITY SYMBOLS	▽=0
	△=0

GENERAL TOLERANCES (UNLESS SPECIFIED)	
	mm
4 PLACES	± 0.25
3 PLACES	± 0.25
2 PLACES	± 0.25
1 PLACE	± 0.25
ANGULAR ± 3 °	
DRAFT WHERE APPLICABLE MUST REMAIN WITHIN DIMENSIONS	

DIMENSION STYLE	
MM ONLY	
DRAWN BY	DATE
JARRY	2005/05/19
CHECKED BY	DATE
ALL IN	2005/05/20
APPROVED BY	DATE
WWSCHANG	2005/05/20
MATERIAL NO.	
SEE TABLE	
SIZE	
A3	

SCALE	DESIGN UNITS	THIRD ANGLE PROJECTION
1:1	METRIC	
TITLE		
1.0 PITCH ONE PIECE 10 PIN CONNECTOR SMT (LEAD FREE VERSION)		
MOLEX INCORPORATED		
DOCUMENT NO.		SHEET NO.
SD-67765-001		2 OF 2
THIS DRAWING CONTAINS INFORMATION THAT IS PROPRIETARY TO MOLEX INCORPORATED AND SHOULD NOT BE USED WITHOUT WRITTEN PERMISSION		

9 8 7 6 5 4 3 2 1