

MATERIALS AND FINISHES

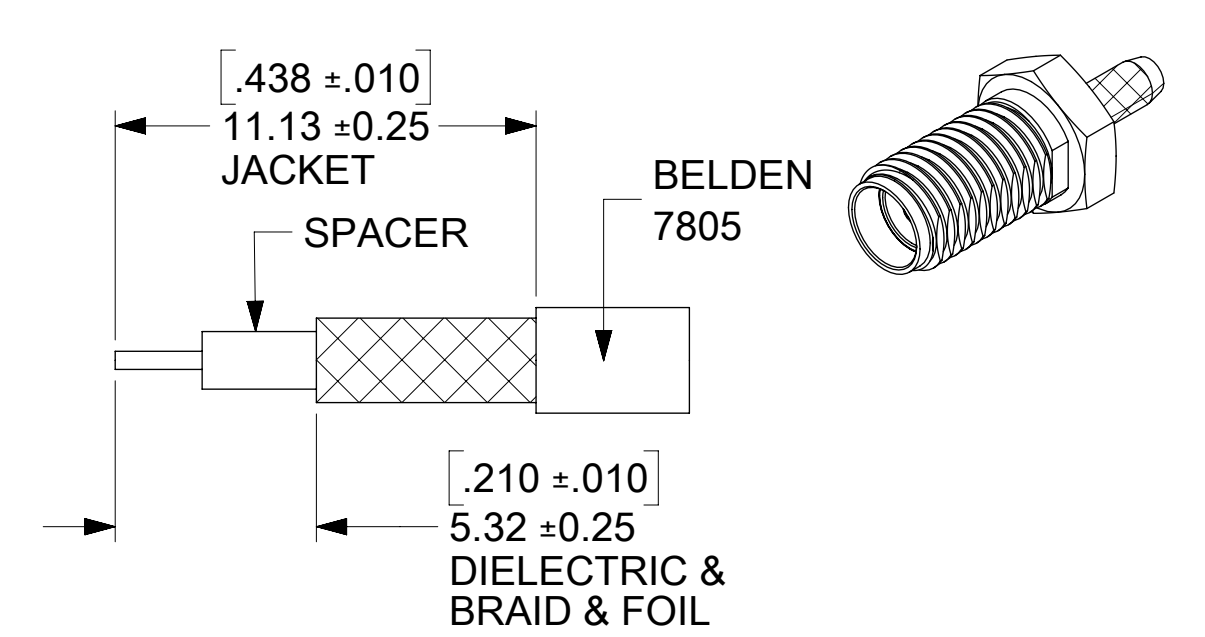
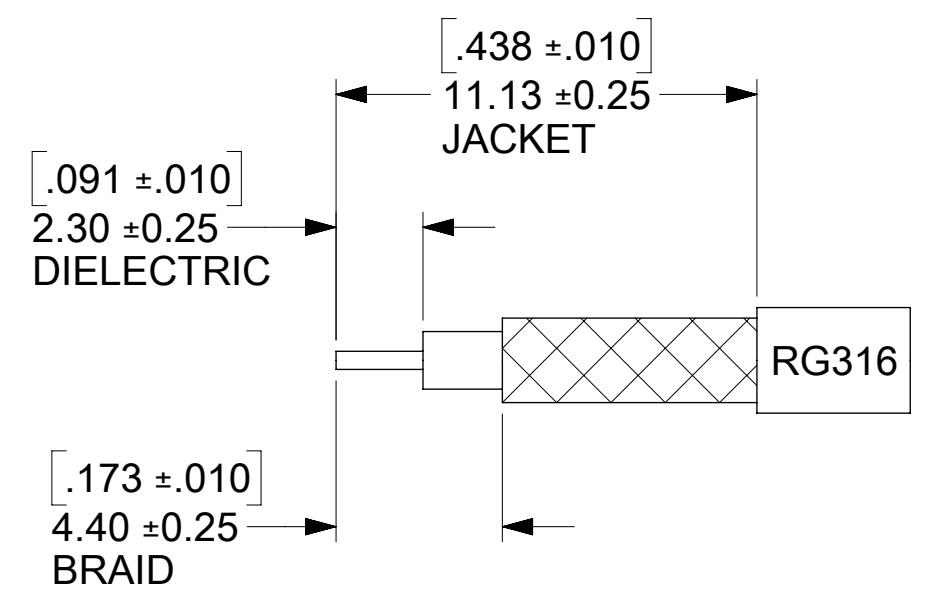
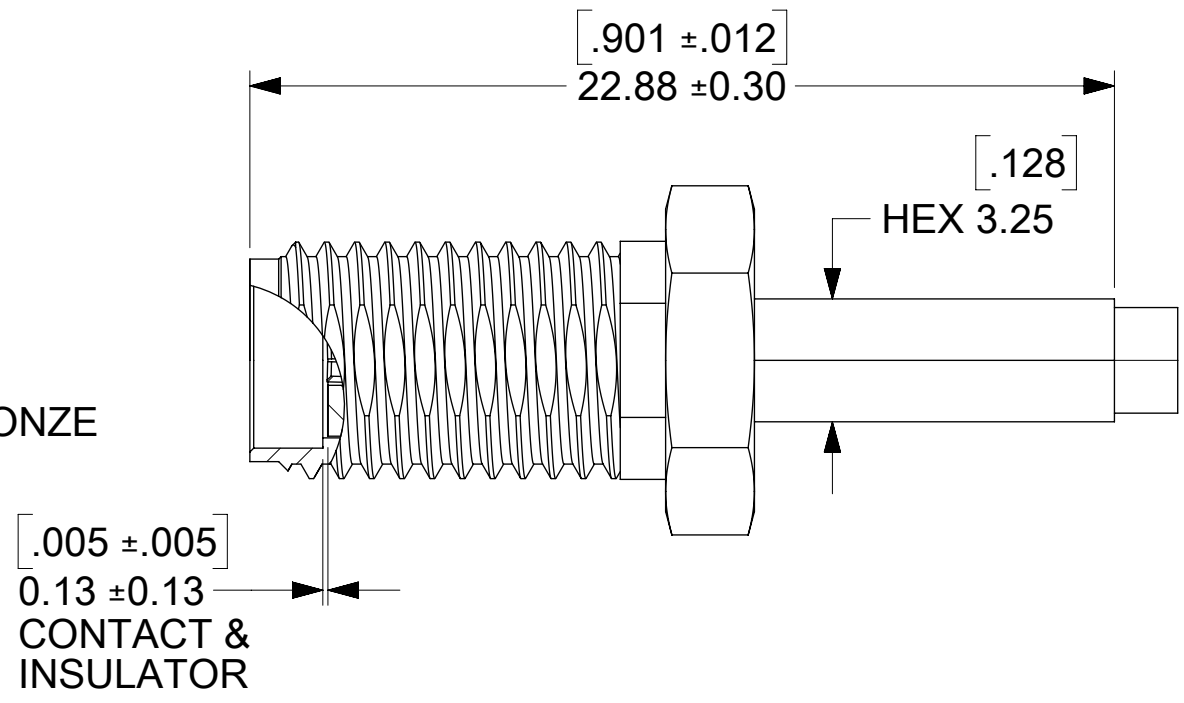
BODY, CRIMP TUBE: BRASS
PLATED SEE TABLE

CONTACT: BERYLLIUM COPPER
PLATED SEE TABLE

LOCK WASHER: PHOSPHOR BRONZE
PLATED SEE TABLE

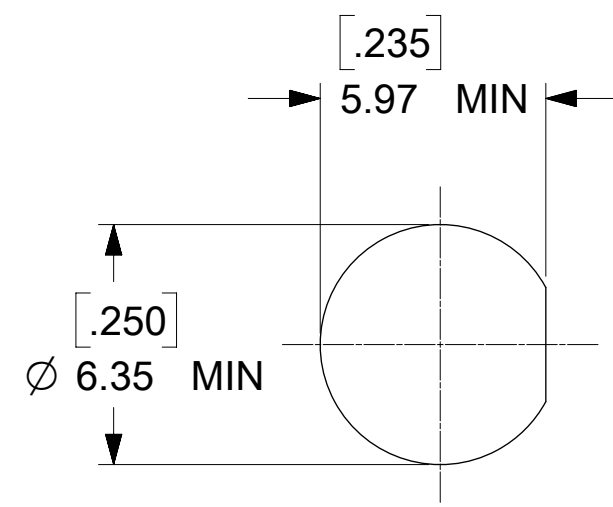
JAM NUT: BRASS
PLATED SEE TABLE

INSULATOR, SPACER: TEFLON

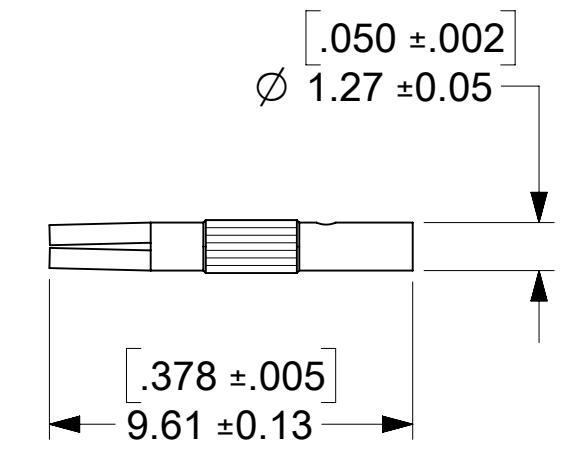
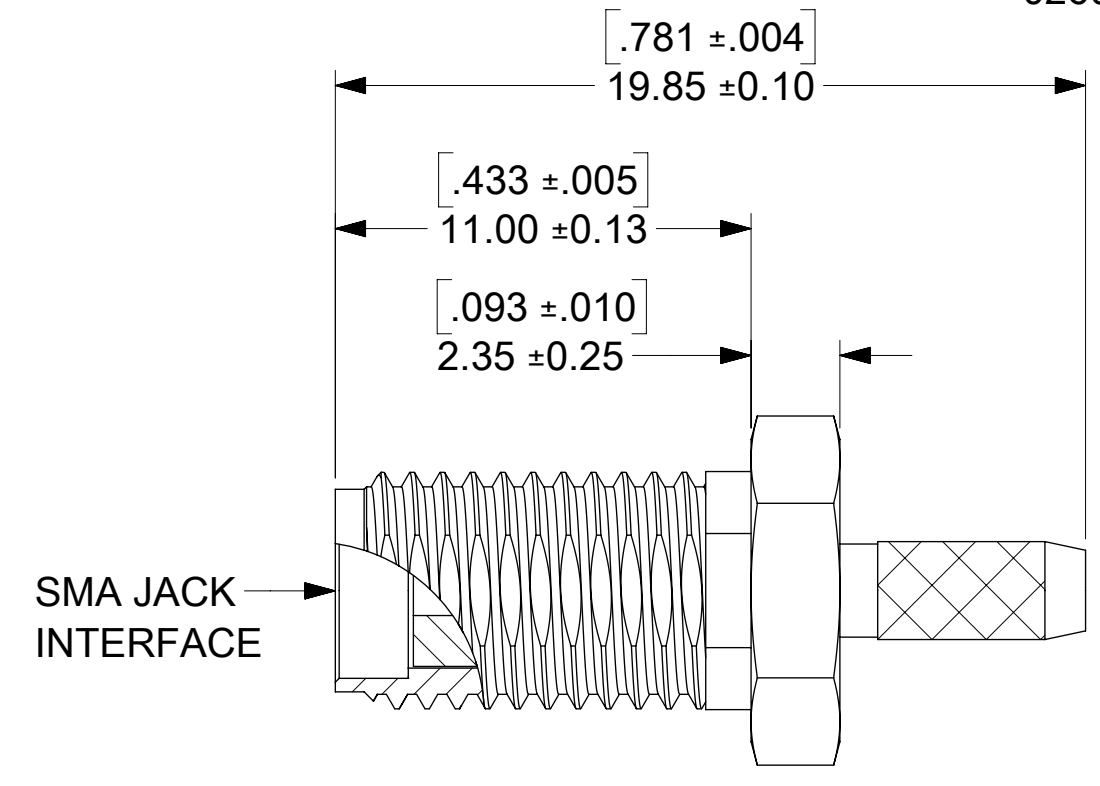
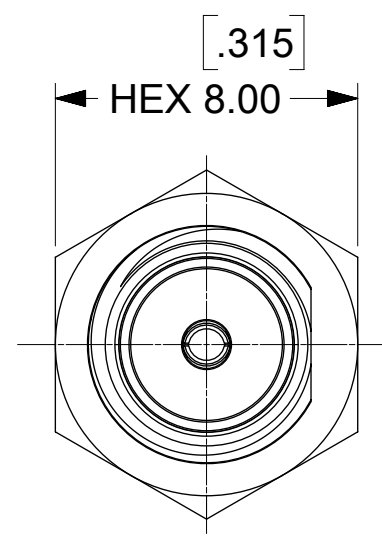


CABLE STRIPPING DIMENSIONS FOR -0260 THRU -0262 & -0264 & -0266

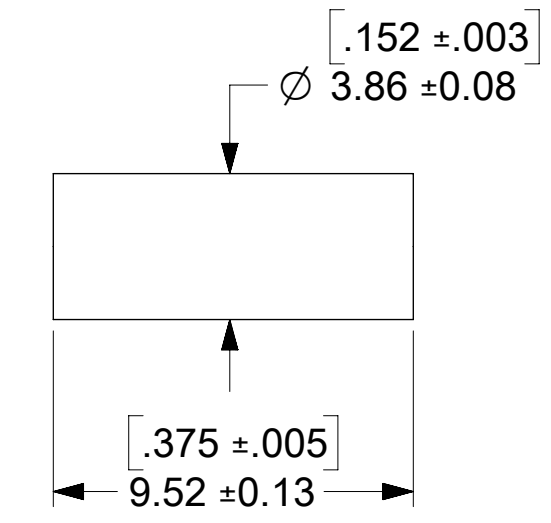
CABLE STRIPPING DIMENSIONS FOR -0263 ONLY



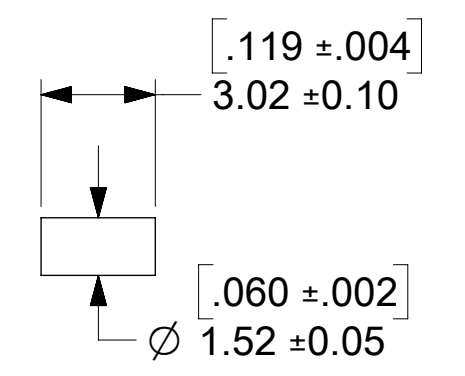
RECOMMENDED PANEL CUTOUT
MAX PANEL THICKNESS 3.18 (.125)



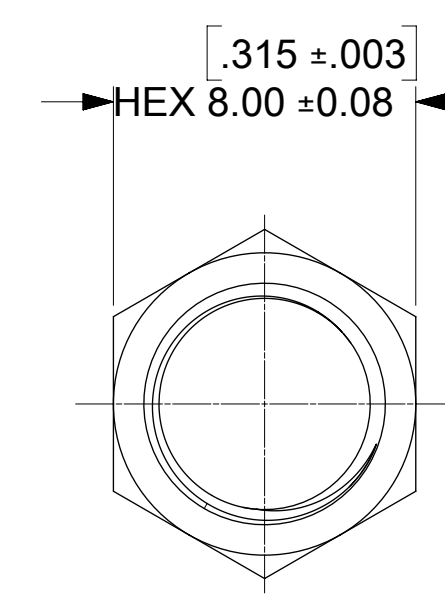
CONTACT



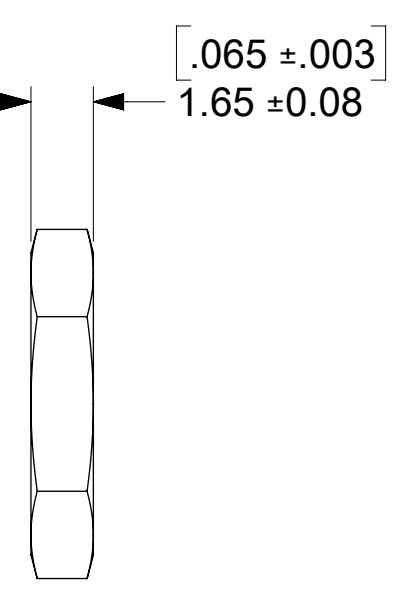
CRIMP TUBE



SPACER FOR -0263 ONLY



JAM NUT



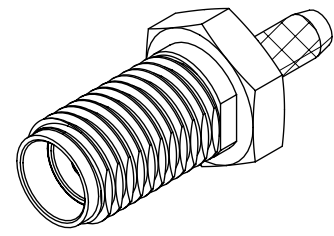
LOCK WASHER

73391-0266	GOLD (FLASH)	GOLD (10 MICRO-IN MIN)	GOLD (FLASH)	GOLD (10 MICRO-IN MIN)
73391-0265	GOLD (30 MICRO-IN MIN)	GOLD (30 MICRO-IN MIN)	GOLD (30 MICRO-IN MIN)	GOLD (30 MICRO-IN MIN)
73391-0264	GOLD (FLASH)	GOLD (FLASH)	GOLD (FLASH)	GOLD (10 MICRO-IN MIN)
73391-0263	GOLD (10 MICRO-IN MIN)	GOLD (30 MICRO-IN MIN)	NOT INCLUDING	NOT INCLUDING
73391-0262	GOLD (10 MICRO-IN MIN)	GOLD (30 MICRO-IN MIN)	NOT INCLUDING	NOT INCLUDING
73391-0261	GOLD (FLASH)	GOLD (10 MICRO-IN MIN)	NOT INCLUDING	NOT INCLUDING
73391-0260	GOLD (FLASH)	GOLD (10 MICRO-IN MIN)	GOLD (FLASH)	GOLD (10 MICRO-IN MIN)
PART NO.	BODY/CRIMP TUBE	CONTACT	JAM NUT	LOCK WASHER

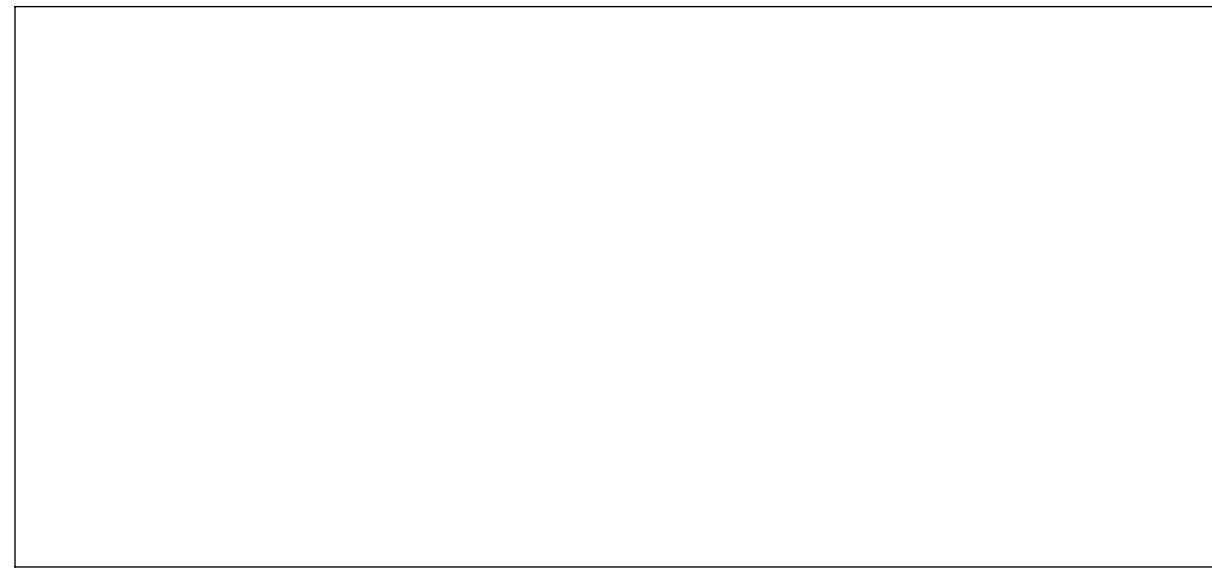
73391-0266	50PCS PER BAG	50PCS PER BAG
73391-0265	50PCS PER BAG	250PCS PER BAG
73391-0264	50PCS PER BAG	250PCS PER BAG
73391-0263	50PCS PER BAG	NOT INCLUDING
73391-0262	50PCS PER BAG	NOT INCLUDING
73391-0261	50PCS PER BAG	NOT INCLUDING
73391-0260	50PCS PER BAG	250PCS PER BAG
PART NO.	CONNECTOR PACKAGING	ACCESSORIES PACKAGING

PS-89675-346	ELEC/MECH PERFORMANCE
SPECIFICATION	DESCRIPTION

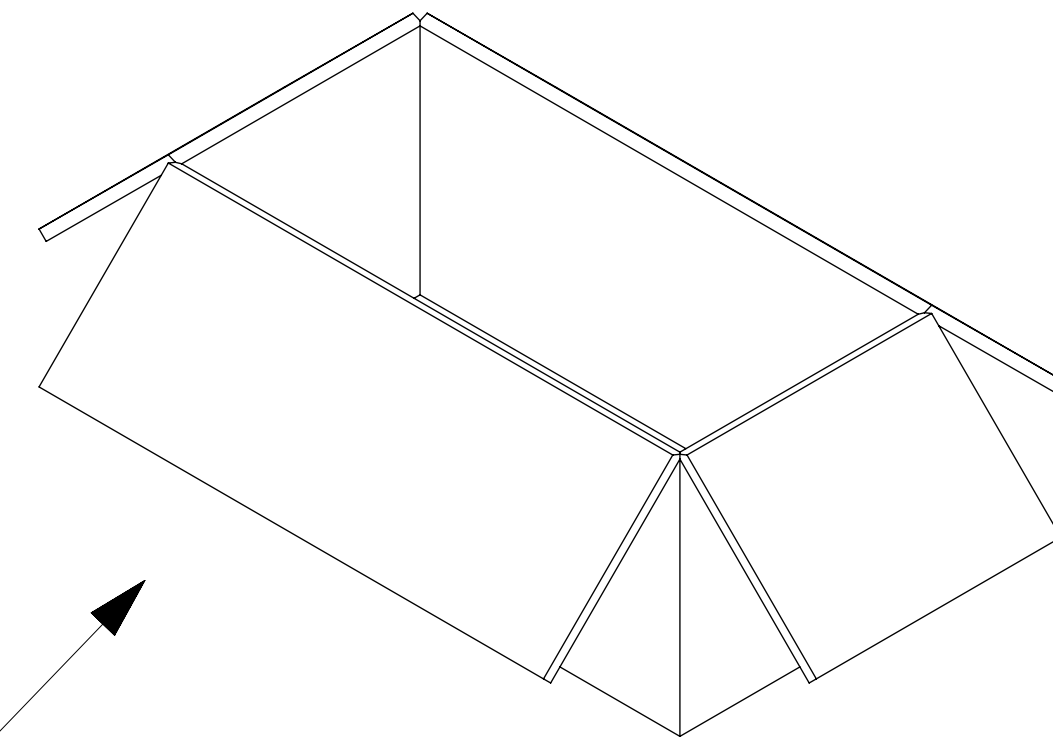
FUNCTIONAL SYMBOLS $\nabla_A = 0$ $\nabla_C = 0$ $\nabla_P = 0$	THIS DRAWING CONTAINS INFORMATION THAT IS PROPRIETARY TO MOLEX ELECTRONIC TECHNOLOGIES, LLC AND SHOULD NOT BE USED WITHOUT WRITTEN PERMISSION DIMENSION UNITS: MM/INCH SCALE: NTS CURRENT REV DESC: EWR # 15667-A : ADDED -0266 PART NO	molex SMA JACK STR BKHD RM FOR RG316/RG174 SMA-JC PRODUCT CUSTOMER DRAWING	
	GENERAL TOLERANCES (UNLESS SPECIFIED) ANGULAR TOL ± °		EC NO: 738061 DRWN: JSU18 2023/02/08 CHK'D: YCHENG 2023/02/21 APPR: YCHENG 2023/02/21
	DIVISIONAL SYMBOLS 3 PLACES ± 2 PLACES ± 1 PLACE ± 0 PLACES ±		INITIAL REVISION: DRWN: AROBERTSON 2007/04/09 APPR: JWIENER 2007/04/09
	DRAFT WHERE APPLICABLE MUST REMAIN WITHIN DIMENSIONS		THIRD ANGLE PROJECTION DRAWING: C-SIZE SERIES: 73391
DOCUMENT STATUS: P1 RELEASE DATE: 2023/02/21 04:15:15	DOCUMENT NUMBER: SD-73391-026 DOC TYPE: PSD DOC PART: 000 REVISION: B9	MATERIAL NUMBER: SEE TABLE CUSTOMER: GENERAL MARKET SHEET NUMBER: 1 OF 3	



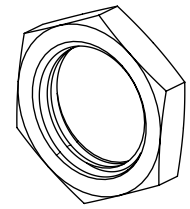
P/N: 73391-0260
 73391-0261
 73391-0262
 73391-0263
 73391-0264
 73391-0265



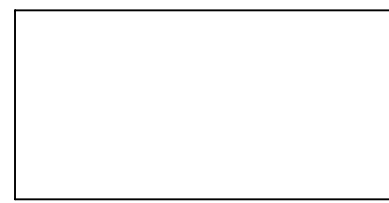
50 SET PER BAG
 P/N: 89707-0174



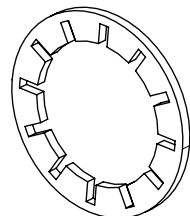
250 SET PER INNER
 CARTON BOX
 P/N: 89499-9026



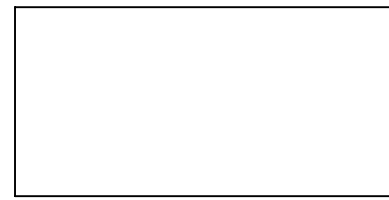
JAM NUT



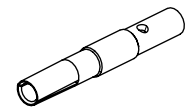
250 SET PER BAG



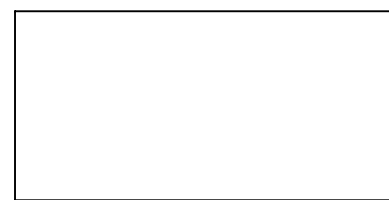
LOCK WASHER



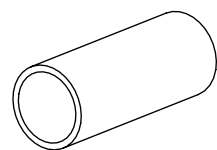
250 SET PER BAG



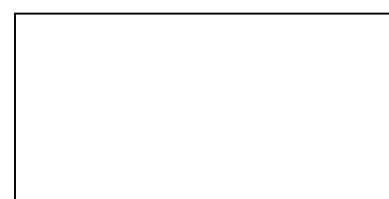
CONTACT



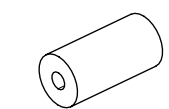
250 SET PER BAG



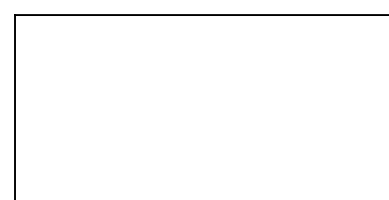
CRIMP TUBE



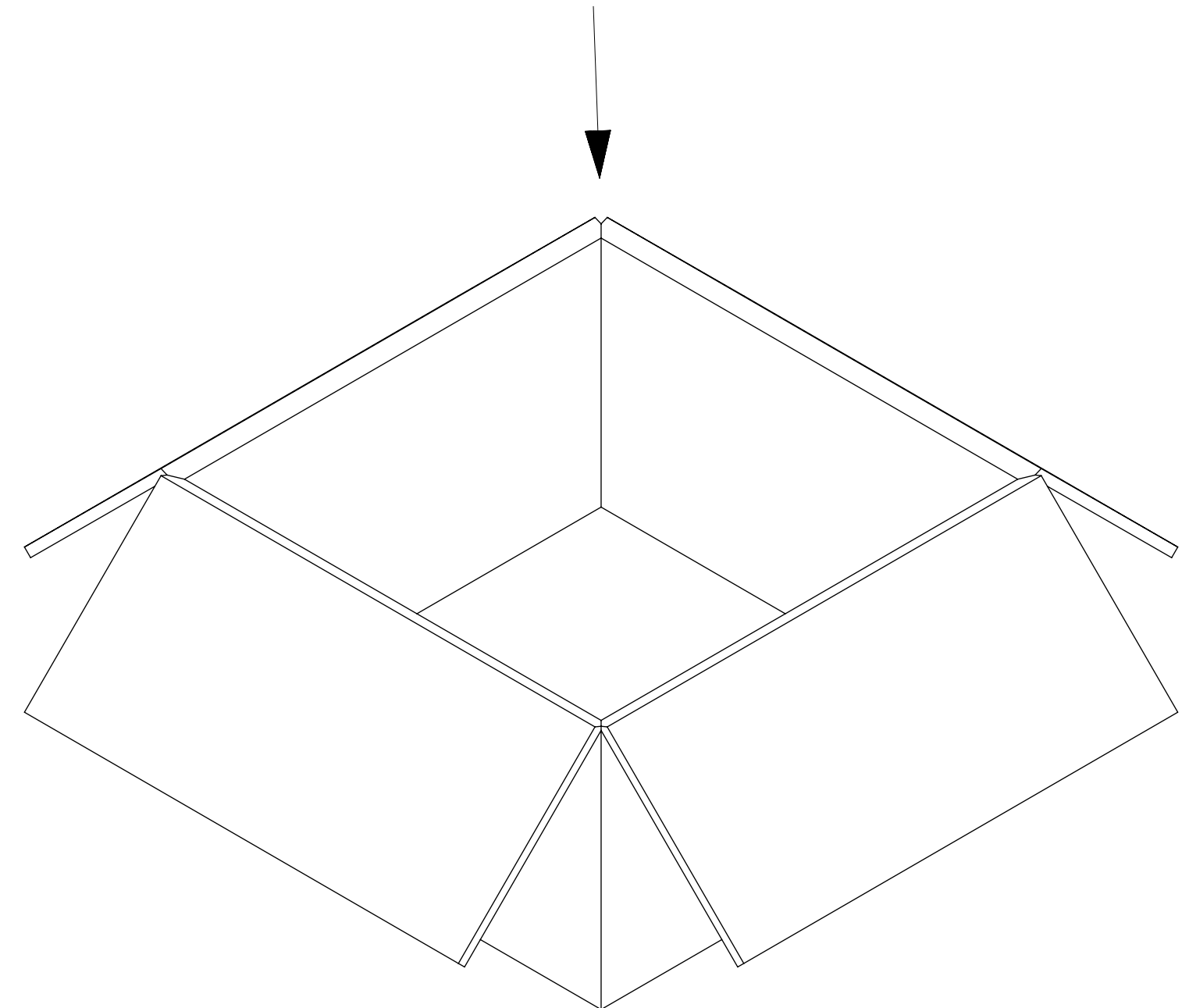
250 SET PER BAG



SPACER
 FOR -0263 ONLY



250 SET PER BAG



500 SET PER OUTER
 CARTON BOX
 P/N: 89499-9027

FUNCTIONAL SYMBOLS	THIS DRAWING CONTAINS INFORMATION THAT IS PROPRIETARY TO MOLEX ELECTRONIC TECHNOLOGIES, LLC AND SHOULD NOT BE USED WITHOUT WRITTEN PERMISSION											
	DIMENSION UNITS	SCALE	CURRENT REV DESC: EWR # 15667-A : ADDED -0266								PART NO	
$\frac{F}{A} = 0$	MM/INCH	NTS										
$\frac{E}{C} = 0$	GENERAL TOLERANCES (UNLESS SPECIFIED)											
	ANGULAR TOL ± °											
DIVISIONAL SYMBOLS	4 PLACES ±											
	3 PLACES ±											
	2 PLACES ±											
	1 PLACE ±											
0 PLACES ±												
DRAFT WHERE APPLICABLE MUST REMAIN WITHIN DIMENSIONS		THIRD ANGLE PROJECTION	DRAWING	SERIES	MATERIAL NUMBER					CUSTOMER	SHEET NUMBER	
			C-SIZE	73391						GENERAL MARKET	2 OF 3	
			EC NO: 738061		DOCUMENT NUMBER					DOC TYPE	DOC PART	REVISION
			DRWN: JSU18 2023/02/08		SD-73391-026					PSD	000	B9
			CHK'D: YCHENG 2023/02/21							PRODUCT CUSTOMER DRAWING		
			APPR: YCHENG 2023/02/21									
			INITIAL REVISION:									
			DRWN: AROBERTSON 2007/04/09									
			APPR: JWIENER 2007/04/09									

molex

SMA JACK STR BKHD RM FOR RG316/RG174
 SMA-JC

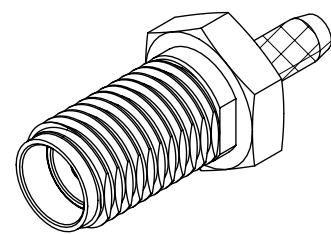
PRODUCT CUSTOMER DRAWING

SD-73391-026

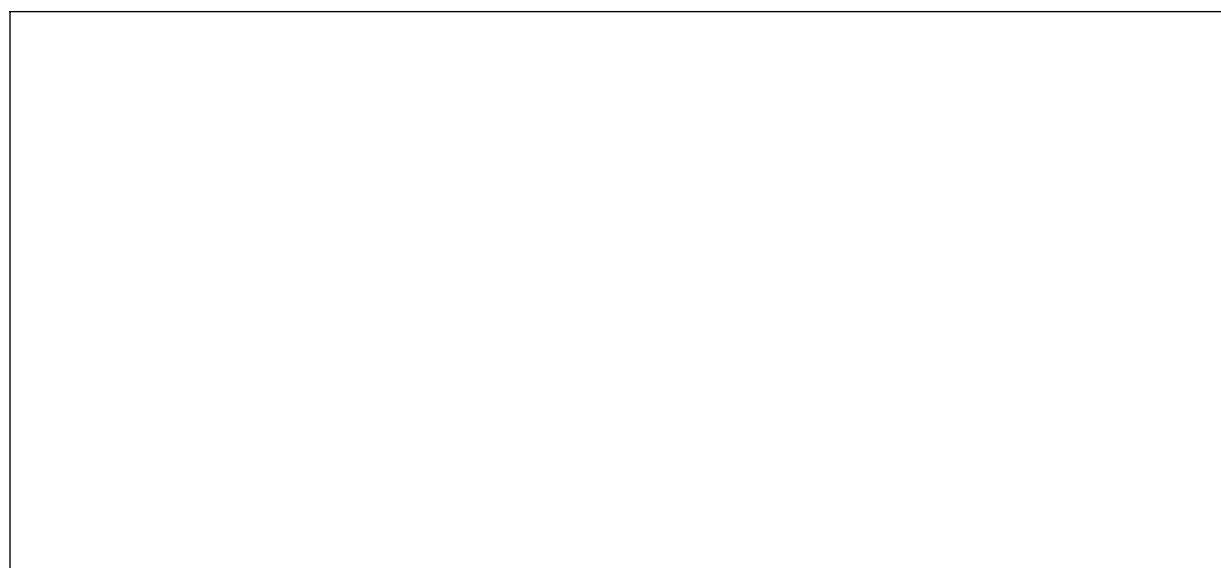
PSD 000 B9

GENERAL MARKET

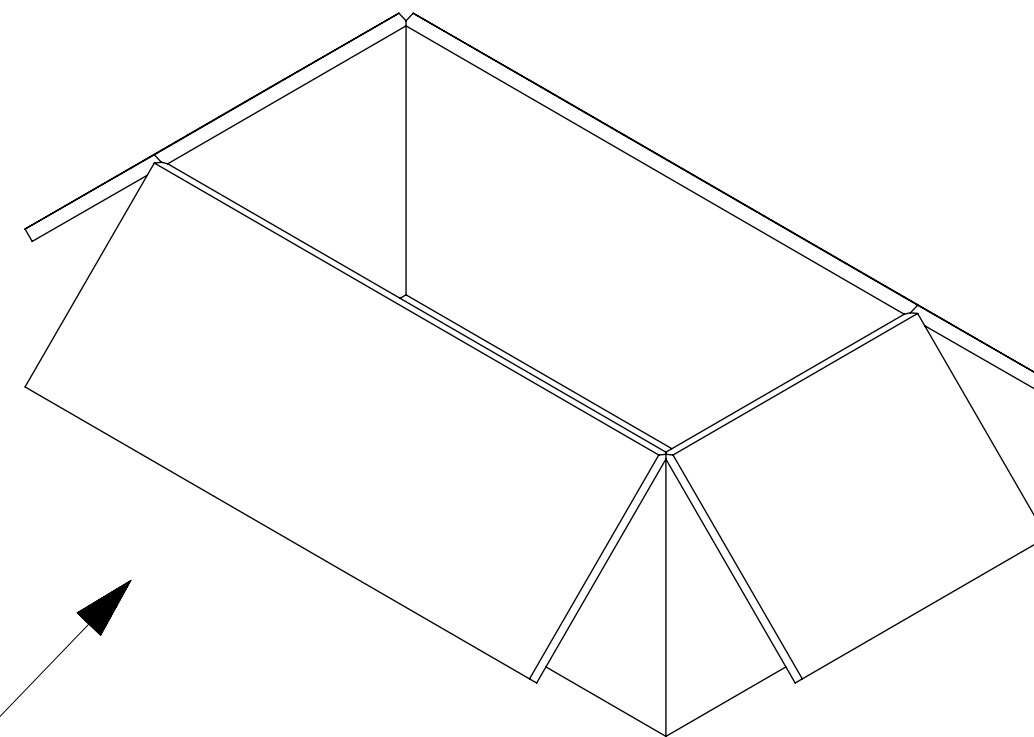
2 OF 3



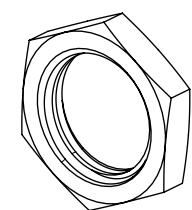
P/N: 73391-0266



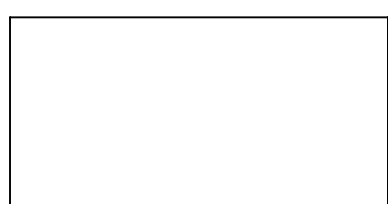
50 SET PER BAG
P/N: 89707-0174



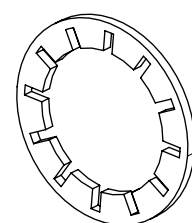
250 SET PER INNER
CARTON BOX
P/N: 89499-9026



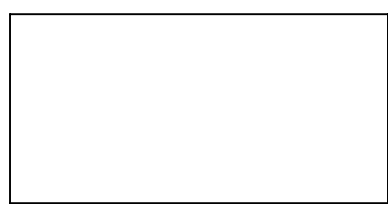
JAM NUT



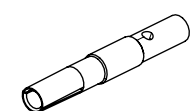
50 SET PER BAG



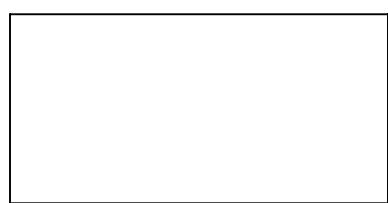
LOCK WASHER



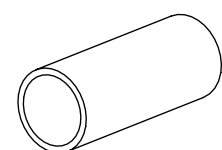
50 SET PER BAG



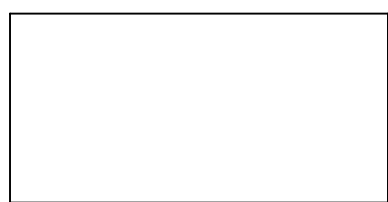
CONTACT



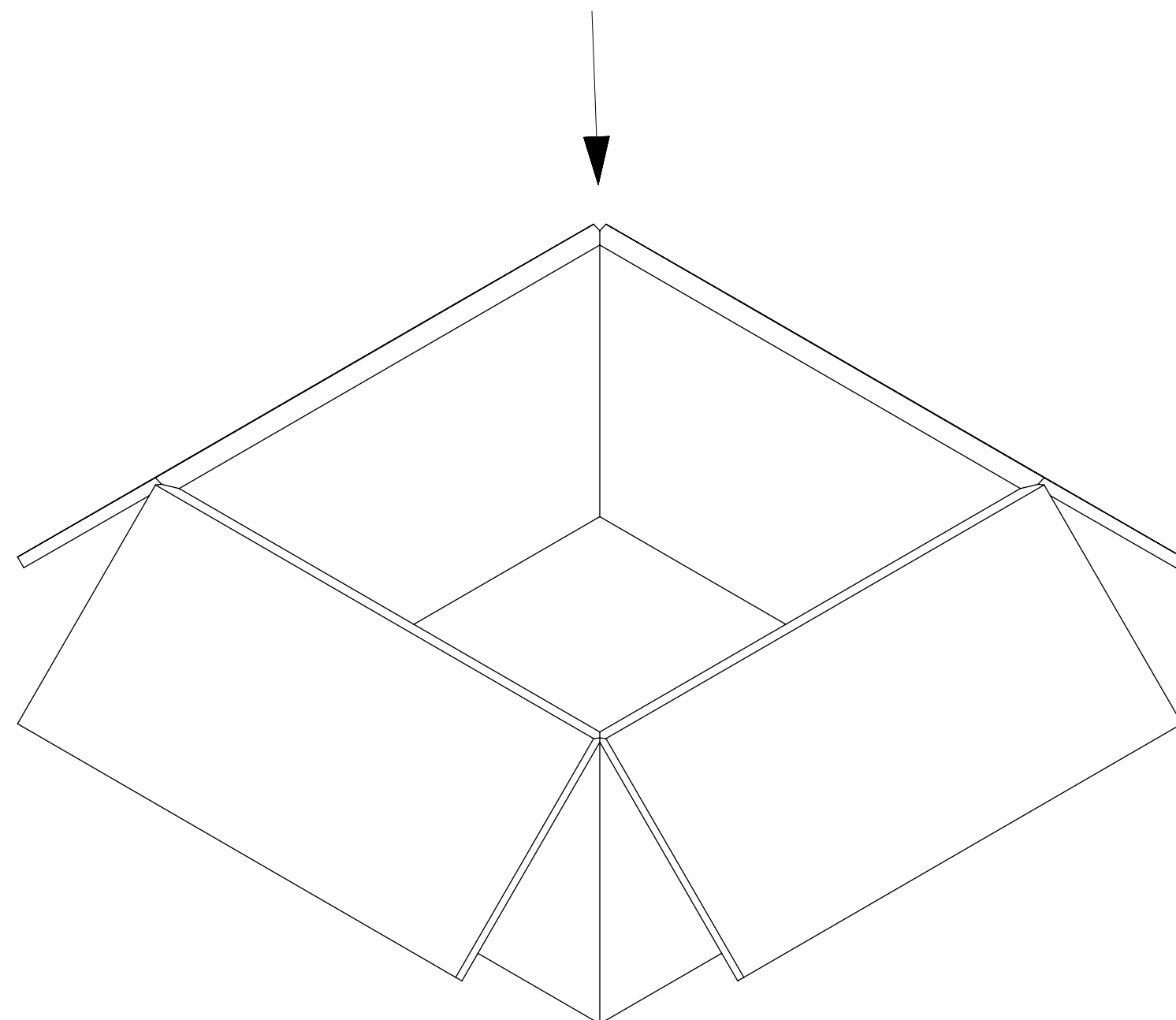
50 SET PER BAG



CRIMP TUBE



50 SET PER BAG



500 SET PER OUTER
CARTON BOX
P/N: 89499-9027

FUNCTIONAL SYMBOLS	THIS DRAWING CONTAINS INFORMATION THAT IS PROPRIETARY TO MOLEX ELECTRONIC TECHNOLOGIES, LLC AND SHOULD NOT BE USED WITHOUT WRITTEN PERMISSION													
	DIMENSION UNITS	SCALE	CURRENT REV DESC: EWR # 15667-A : ADDED -0266							molex				
	$\frac{F}{A} = 0$	MM/INCH	NTS	PART NO										
	GENERAL TOLERANCES (UNLESS SPECIFIED)										SMA JACK STR BKHD RM FOR RG316/RG174 SMA-JC			
ANGULAR TOL \pm °										PRODUCT CUSTOMER DRAWING				
DIVISIONAL SYMBOLS	4 PLACES \pm		EC NO: 738061							DOCUMENT NUMBER		DOC TYPE	DOC PART	REVISION
	3 PLACES \pm		DRWN: JSU18 2023/02/08							SD-73391-026		PSD	000	B9
	2 PLACES \pm		CHK'D: YCHENG 2023/02/21							MATERIAL NUMBER		CUSTOMER		SHEET NUMBER
	1 PLACE \pm		APPR: YCHENG 2023/02/21							GENERAL MARKET		3 OF 3		
0 PLACES \pm		INITIAL REVISION: DRWN: AROBERTSON 2007/04/09 APPR: JWIENER 2007/04/09												
DRAFT WHERE APPLICABLE MUST REMAIN WITHIN DIMENSIONS			THIRD ANGLE PROJECTION	DRAWING	SERIES									
				C-SIZE	73391									

DOCUMENT STATUS	P1	RELEASE DATE	2023/02/21	04:15:15
-----------------	----	--------------	------------	----------