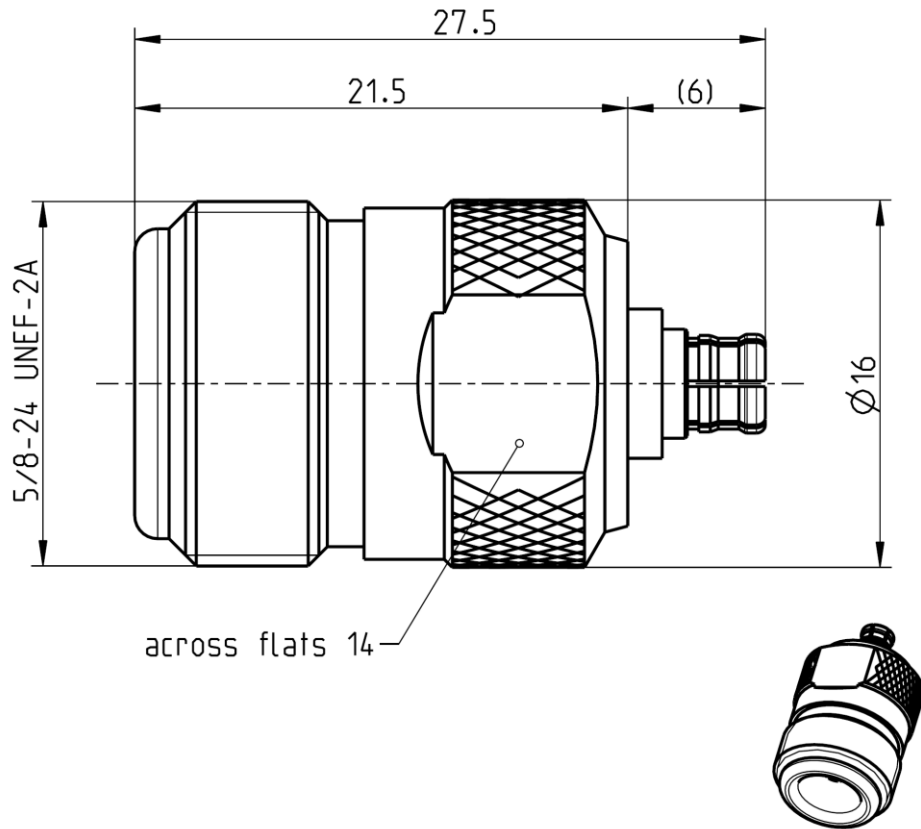


P-SMP

Adaptor  
N 50 Ω Jack –  
P-SMP Jack

**119K153-K00L5**



All dimensions are in mm; tolerances according to ISO 2768 m-H

**Interface**

According to N side: IEC 61169-16, MIL-PRF-39012, CECC 22210  
P-SMP side: Rosenberger P-SMP

**Documents**

N/A

**Material and plating**

**Connector parts**

Center contact  
Outer contact N side  
Outer contact P-SMP side  
Dielectric  
Gasket

**Material**

CuBe  
Brass  
CuBe  
PTFE  
Silicone

**Plating**

AuroDur®, gold plated  
Flash white bronze over silver(e.g. Optargen®)  
AuroDur®, gold plated

Dieses Dokument ist urheberrechtlich geschützt • This document is protected by copyright • Rosenberger Hochfrequenztechnik GmbH & Co. KG

RF\_35/09.14/6.2

P-SMP Adaptor  
N 50 Ω Jack –  
P-SMP Jack

**119K153-K00L5**

**Electrical data**

Impedance	50 Ω	
Frequency	DC to 10 GHz	
Return loss	≥ 35 dB, DC to 4 GHz	
	≥ 26 dB, 4 to 10 GHz	
Insertion loss	≤ 0.05 x √f [GHz] dB	
Insulation resistance	≥ 5 GΩ	
Center contact resistance	≤ 1 mΩ, N side	≤ 3 mΩ, P-SMP side
Outer contact resistance	≤ 0.25 mΩ, N side	≤ 2 mΩ, P-SMP side
Test voltage	1000 V rms	
Working voltage	480 V rms	
Power handling (at 20 °C, sea level, VSWR 1.0)	≤ 200 W @ 2.2 GHz	
Intermodulation (3 <sup>rd</sup> order)	≥ 160 dBc (2 x 43 dBm)	

**Mechanical data**

	N side	P-SMP side
Mating cycles	≥ 500	
if mating part is Smooth bore, Catchers mitt		≥ 1000
if mating part is Limited detent		≥ 100
if mating part is Full detent		≥ 100
Center contact captivation: axial	≥ 27 N	≥ 27 N
Engagement force:		
- Smooth bore, Catchers mitt	N/A	≤ 10 N
- Limited detent	N/A	≤ 45 N
- Full detent	N/A	≤ 68 N
Disengagement force:		
- Smooth bore, Catchers mitt	N/A	≥ 2.2 N
- Limited detent	N/A	≥ 15 N
- Full detent	N/A	≥ 25 N
Coupling test torque	≤ 1.7 Nm	N/A
Recommended torque	0.7 Nm to 1.1 Nm	N/A
Permissible angular misalignment		4°

**Environmental data**

Temperature range	-55°C to +155°C
Rapid change of temperature	IEC 60169-1, Sub-clause 16.4 (-55°C to +155°C)
Vibration	IEC 60068-2-64 random
Shock	IEC 60068-2-27 (half-sine)
High temperature endurance	IEC 60169-1, Sub-clause 18 (+155°C, 1000 hours)
RoHS	compliant

**Weight**

Weight 22.9 g/pce

While the information has been carefully compiled to the best of our knowledge, nothing is intended as representation or warranty on our part and no statement herein shall be construed as recommendation to infringe existing patents. In the effort to improve our products, we reserve the right to make changes judged to be necessary.

For the installation of the electrotechnical equipment, particular electrotechnical expertise is required.



Dieses Dokument ist urheberrechtlich geschützt • This document is protected by copyright • Rosenberger Hochfrequenztechnik GmbH & Co. KG

RF\_35/09.14/6.2

Draft	Date	Approved	Date	Rev.	Engineering change number	Name	Date
Huppenberger	10.05.10	Chr. Janßen	21.10.20	d00	20-1927	S. Huber-Siegl	21.10.20
Rosenberger Hochfrequenztechnik GmbH & Co. KG P.O.Box 1260 D-84526 Tittmoning Germany <a href="http://www.rosenberger.de">www.rosenberger.de</a>						Tel. : +49 8684 18-0 Email : <a href="mailto:info@rosenberger.de">info@rosenberger.de</a>	
							Page 2 / 2