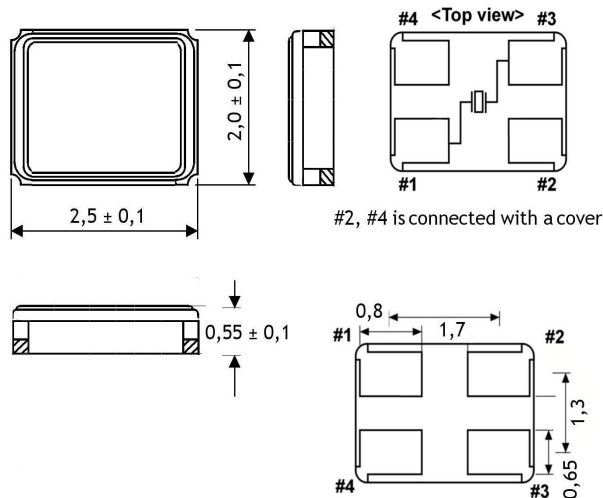


Quartz Crystal

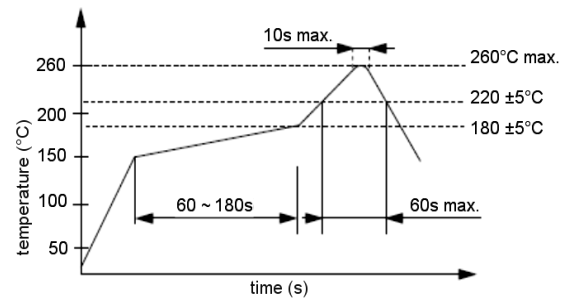
SMD-version

| | |
|----------------------------------------|-----------------------------------|
| model | KX – 6 |
| frequency | 27,0 MHz |
| mode | fundamental |
| operating temperature | -20° ~ +70°C |
| frequency tolerance at +25°C | ± 30 ppm |
| temperature tolerance -20° ~ + 70°C | ± 50 ppm |
| load capacitance C_L | 10 pF |
| series resonance R1 max. | 80 Ohm |
| aging at 25°C (first year) max. | ± 2 ppm |
| shunt capacitance C_O max. | 3,5 pF |
| drive level max. | 50 μ W typ., 100 μ W max. |
| contents of reel | 1000 pcs. |
| part no. | 12.86520 |

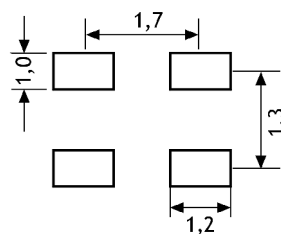
Dimensions (mm):



Reflow soldering condition:



Suggested soldering pad:



Tape specification:

