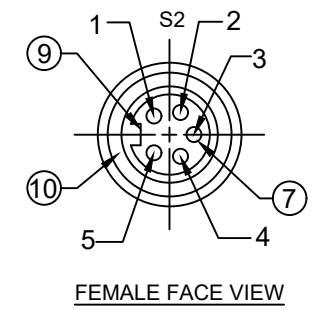
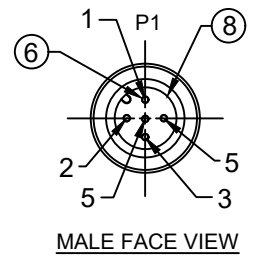
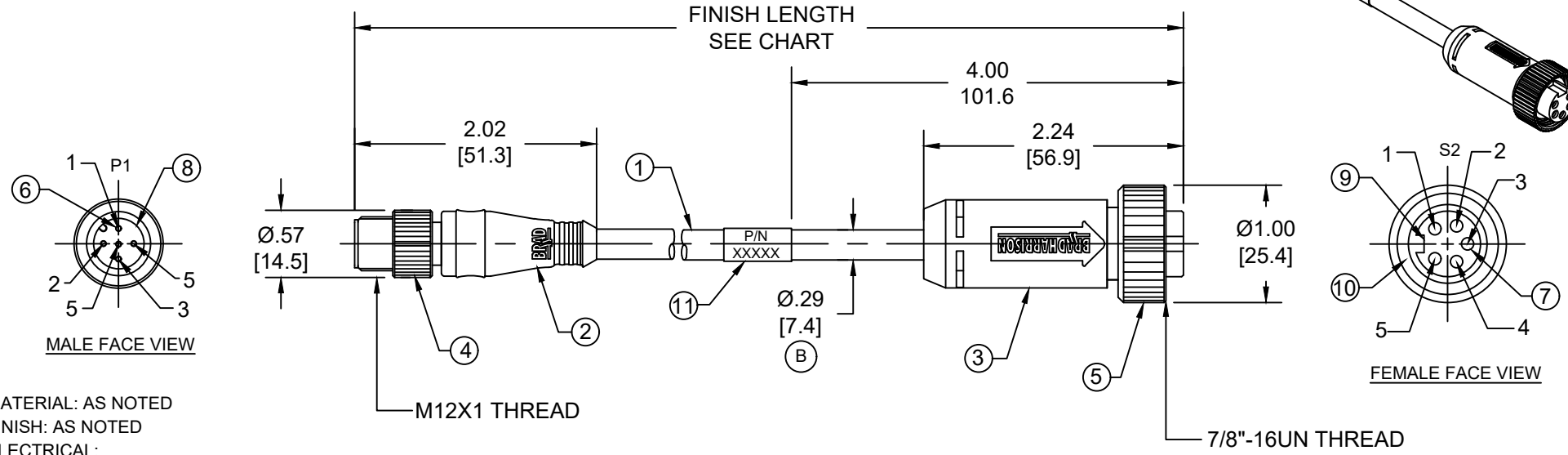
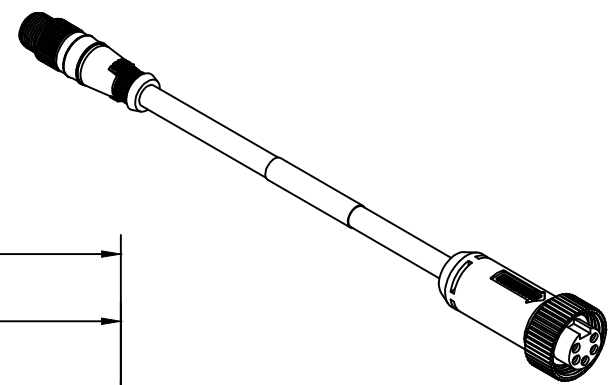


SAP P/N #	ENGINEERING P/N	FINISHED LENGTH
1300390144	DND12A-M005	0.5M [ 1FT 8 IN ]
1300390147	DND12A-M030	3M [ 9FT 10 IN ]
1300390150	DND12A-M060	6M [ 19FT 8 IN ]



NOTES:

- MATERIAL: AS NOTED
- FINISH: AS NOTED
- ELECTRICAL:  
VOLTAGE: 250V  
CURRENT: 4A
- TEMP RATING: -20°C TO +80°C
- PROTECTION: IP67 (WHEN MATED)
- UL LISTED FILE: E152210  
CSA CERTIFIED FILE: LR6837
- ALL DIMENSIONS ARE FOR REFERENCE UNLESS TOLERANCED OR NOTED OTHERWISE

PART NUMBER LEGEND

DND12A-M005

LENGTH:  
M005= 0.5 METER  
M010= 1 METER  
M100= 10 METER

P1		S2	
1	DRAIN	1	
2	RED	2	
3	BLACK	3	
4	WHITE	4	
5	BLUE	5	

CABLE LENGTH TOLERANCES

<.3M [1FT]:	+19mm-0 [ +.75in-0]
.3 - .9M [1 - 3FT]:	+44.5mm-0 [+1.75in-0]
.9 - 1.8M [3 - 6FT]:	+55.6mm-0 [+2.19in-0]
1.8 - 3.7M [6 - 12FT]:	+88.9mm-0 [+3.50in-0]
3.7 - 7.3M [12 - 24FT]:	+165.1mm-0 [+6.50in-0]
7.3-14.6M [24 - 48FT]:	+317.5mm-0 [+12.50in-0]
14.6 - 30.5M [48-100FT]:	+622.3mm-0 [+24.50in-0]
OVER 30M [100FT]	+2% OF FINISHED LENGTH

11	WRAP LABEL	VINYL	BLACK/YELLOW
10	FRICTION RING	NYLON	WHITE
9	FEMALE INSERT(MINI)	TPE	BLACK
8	MALE INSERT(MICRO)	NYLON	BLACK
7	SOCKET CONTACT	COPPER ALLOY	GOLD OVER NICKEL
6	PIN CONTACT	COPPER ALLOY	GOLD OVER NICKEL
5	COUPLING NUT(MINI)	ZINC DIE-CAST	BLACK E-COAT
4	COUPLING NUT(MICRO)	ZINC DIE-CAST	BLACK E-COAT
3	OVERMOLD(MINI)	TPC	GRAY
2	OVERMOLD(MICRO)	TPC	GRAY
1	DEVICENET DROP CABLE	PVC JACKET	GRAY
ITEM	COMPONENT	MATERIAL	FINISH

WIRING DIAGRAM

FUNCTIONAL SYMBOLS $\nabla = 0$ $\nabla = 0$ $\nabla = 0$	THIS DRAWING CONTAINS INFORMATION THAT IS PROPRIETARY TO MOLEX ELECTRONIC TECHNOLOGIES, LLC AND SHOULD NOT BE USED WITHOUT WRITTEN PERMISSION			
	DIMENSION UNITS <b>INCH/MM</b>		SCALE <b>NTS</b>	
	GENERAL TOLERANCES (UNLESS SPECIFIED)			
	4 PLACES ±----		±----	
DIVISIONAL SYMBOLS	3 PLACES ±----		±----	
	2 PLACES ±----		±----	
	1 PLACE ±----		±----	
	0 PLACES ±----		±----	
ANGULAR TOL ± ---- °				
DRAFT WHERE APPLICABLE MUST REMAIN WITHIN DIMENSIONS				
CURRENT REV DESC: ITEM-2, 3 & 9 WERE PVC. ADDED ITEM-10, TOL CHART, UL, CSA, CABLE DIA AND PN LEGEND. MODIFIED PN CHART		EC NO: 720800		
DRWN: ABENJAMINLW		2022/07/21		
CHK'D: RSTONE		2022/09/09		
APPR: BWOODMAN		2022/09/09		
INITIAL REVISION:				
DRWN: TWOLDEGE		2010/01/11		
APPR: JFMURPHY		2010/01/20		
THIRD ANGLE PROJECTION		DRAWING		
A-SIZE		SERIES		
130039		MATERIAL NUMBER		
SEE CHART		CUSTOMER		
GENERAL MARKET		SHEET NUMBER		
1 OF 1		DOCUMENT NUMBER		
SD-130039-018		DOC TYPE/DOC PART/REVISION		
PSD		001 B		

**molex**

MICRO-MINI CHANGE DEVICENET, M12-A-SIZE, 5 POLE, MALE-FEMALE, STRAIGHT, SINGLE KEY, #22/4 AWG

PRODUCT CUSTOMER DRAWING

DOCUMENT NUMBER: SD-130039-018

DOC TYPE/DOC PART/REVISION: PSD 001 B

MATERIAL NUMBER: SEE CHART

CUSTOMER: GENERAL MARKET

SHEET NUMBER: 1 OF 1