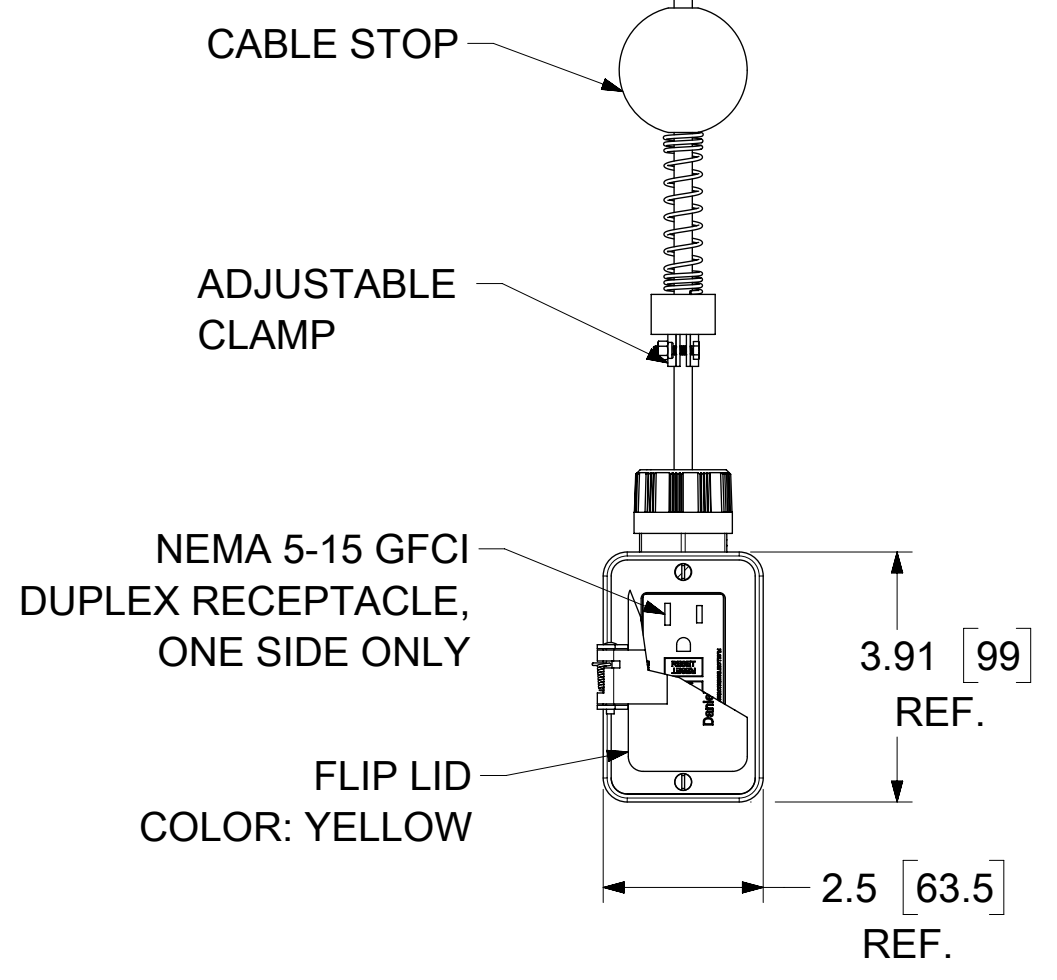
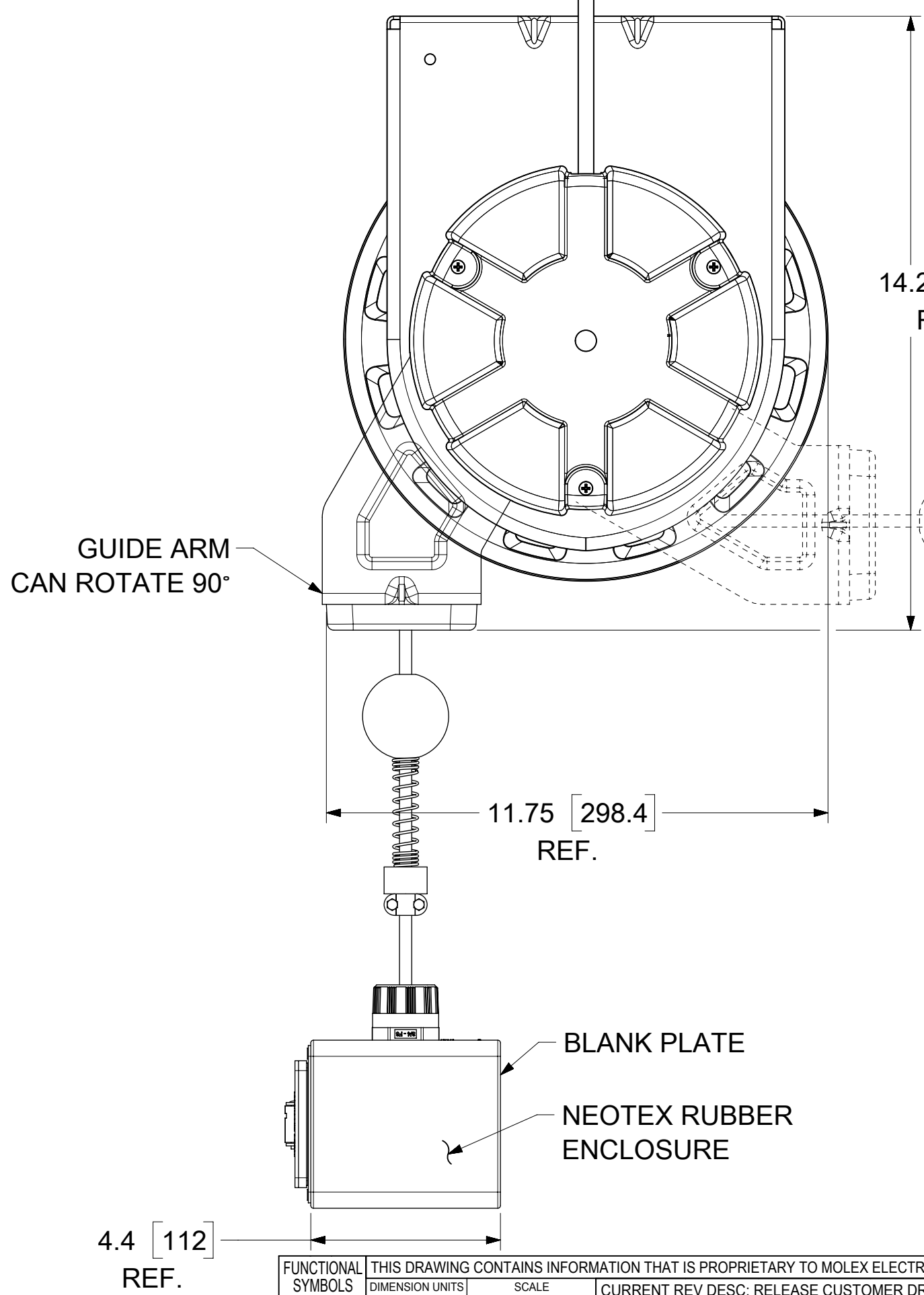
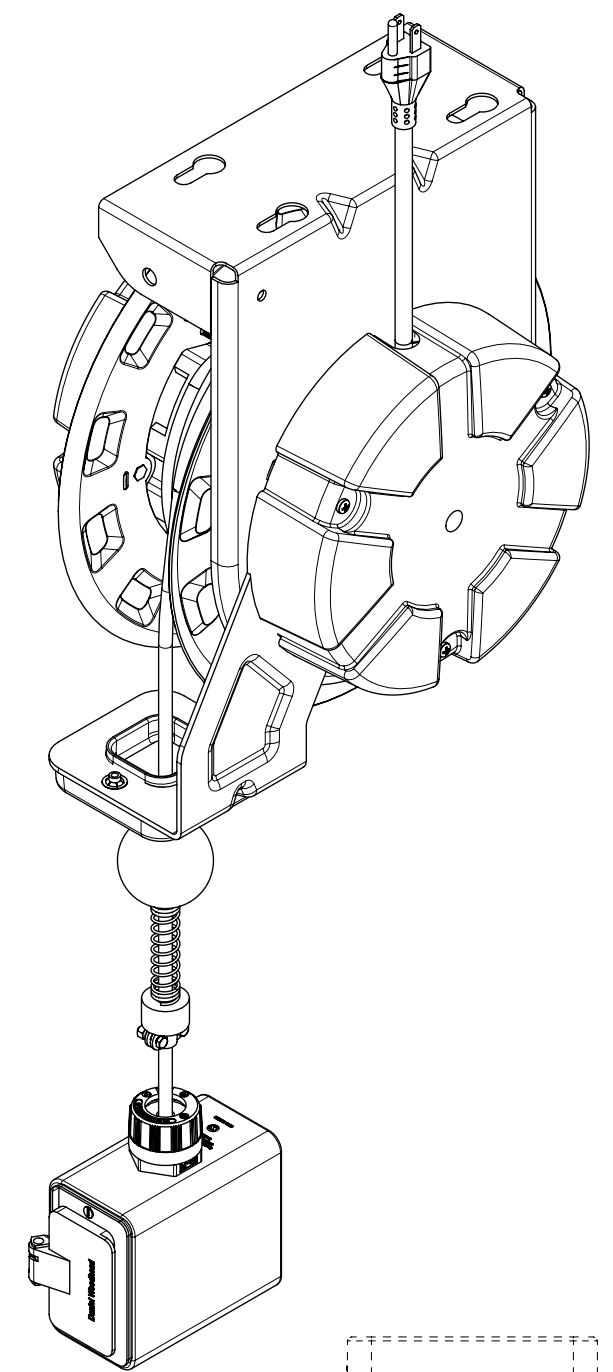
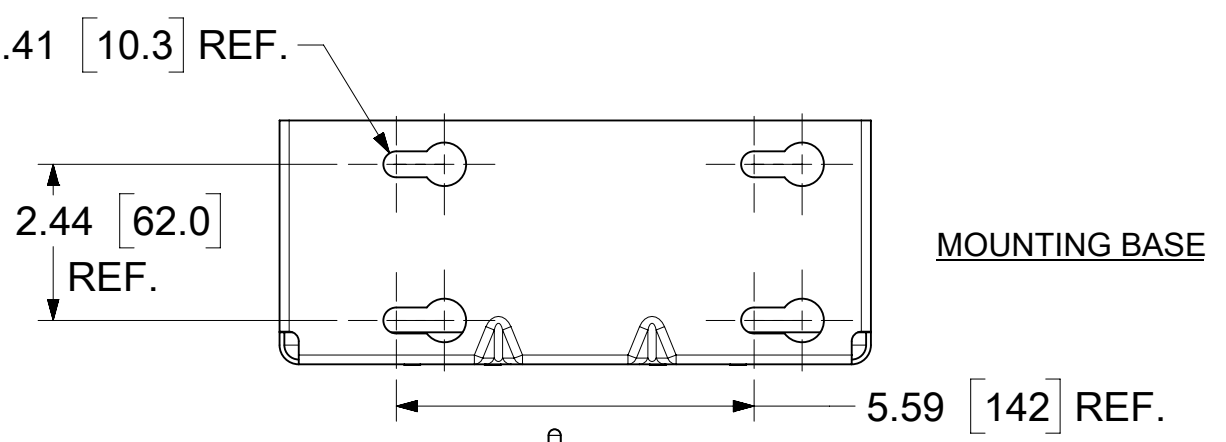
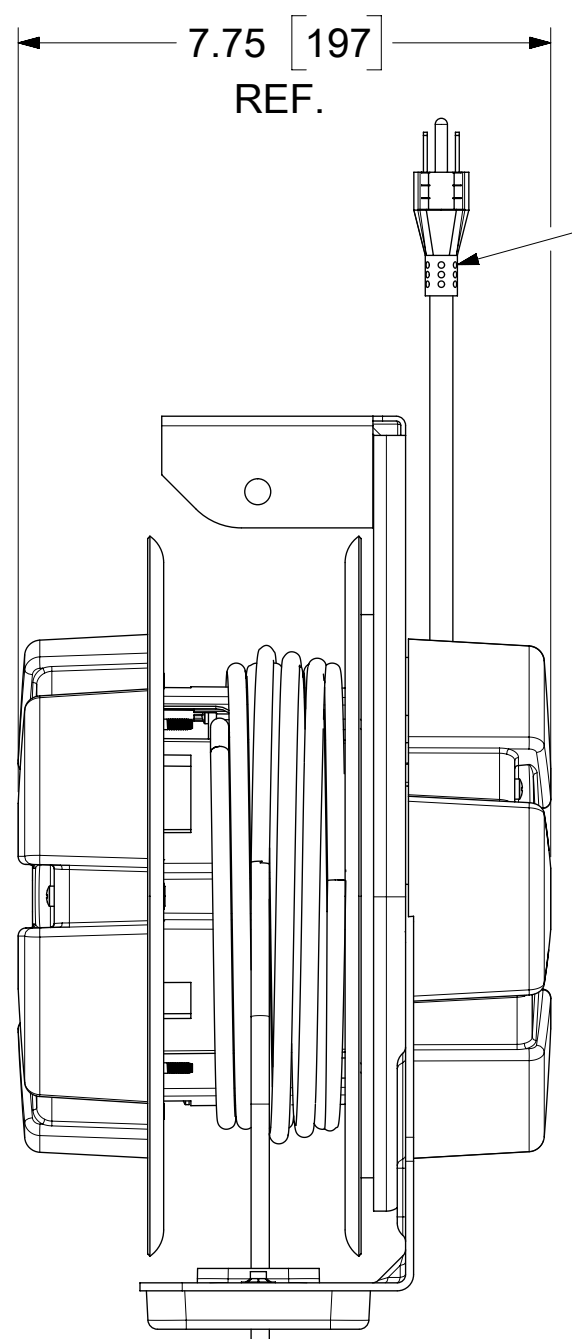


ORDER NO	130091-0025
WOODHEAD ENG. NO	980-3070G
WIRE GAUGE	16
CONDUCTORS	3
AMPERAGE	8A
WORKING CORD	50 FT. YELLOW
CORD TYPE	SJTOW
CONSTRUCTION	STEEL
PAINT	YELLOW POWDER COAT
REEL ENCLOSURE RATING	INDOOR
RETRACTION WEIGHT	2.0 LB [0.907 KG]



- NOTES:**
1. CABLE GUIDE IS ADJUSTABLE - DUAL POSITION
  2. RATCHET LOCK IS EASY TO DISENGAGE FOR CONSTANT TENSION
  3. REEL CANNOT BE "LOCKED OUT" AT FULL TENSION
  4. CABLE STOP INCULDED

FUNCTIONAL SYMBOLS $F_A = 0$ $F_E = 0$ $F_P = 0$ DIVISIONAL SYMBOLS	THIS DRAWING CONTAINS INFORMATION THAT IS PROPRIETARY TO MOLEX ELECTRONIC TECHNOLOGIES, LLC AND SHOULD NOT BE USED WITHOUT WRITTEN PERMISSION		CURRENT REV DESC: RELEASE CUSTOMER DRAWING		
	DIMENSION UNITS	SCALE	GENERAL TOLERANCES (UNLESS SPECIFIED)		
	INCH/MM	NTS	MM	INCH	
			4 PLACES ±	±	
		3 PLACES ±	± 0.005		
		2 PLACES ±	± 0.01		
		1 PLACE ±	± 0.02		
		0 PLACES ±	±		
		ANGULAR TOL	± 0.5°		
DRAFT WHERE APPLICABLE MUST REMAIN WITHIN DIMENSIONS		THIRD ANGLE PROJECTION	DRAWING C-SIZE	SERIES 130091	

EC NO: 661279		DRWN: DSOPPIN		2020/07/02
CHK'D: DSOPPIN		APPR: HKNEELAND		2022/05/19
INITIAL REVISION:		DRWN: DSOPPIN		2020/07/02
APPR:				

		CORD REEL W/3070-GFI BOX		
		50' #16-3 CORD		
PRODUCT CUSTOMER DRAWING				
DOCUMENT NUMBER	DOC TYPE	DOC PART	REVISION	
1300910025	PSD	000	A	
MATERIAL NUMBER	CUSTOMER	SHEET NUMBER		
SEE TABLE	GENERAL MARKET	1 OF 1		