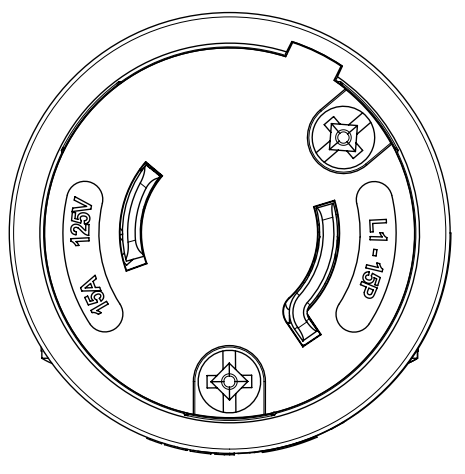
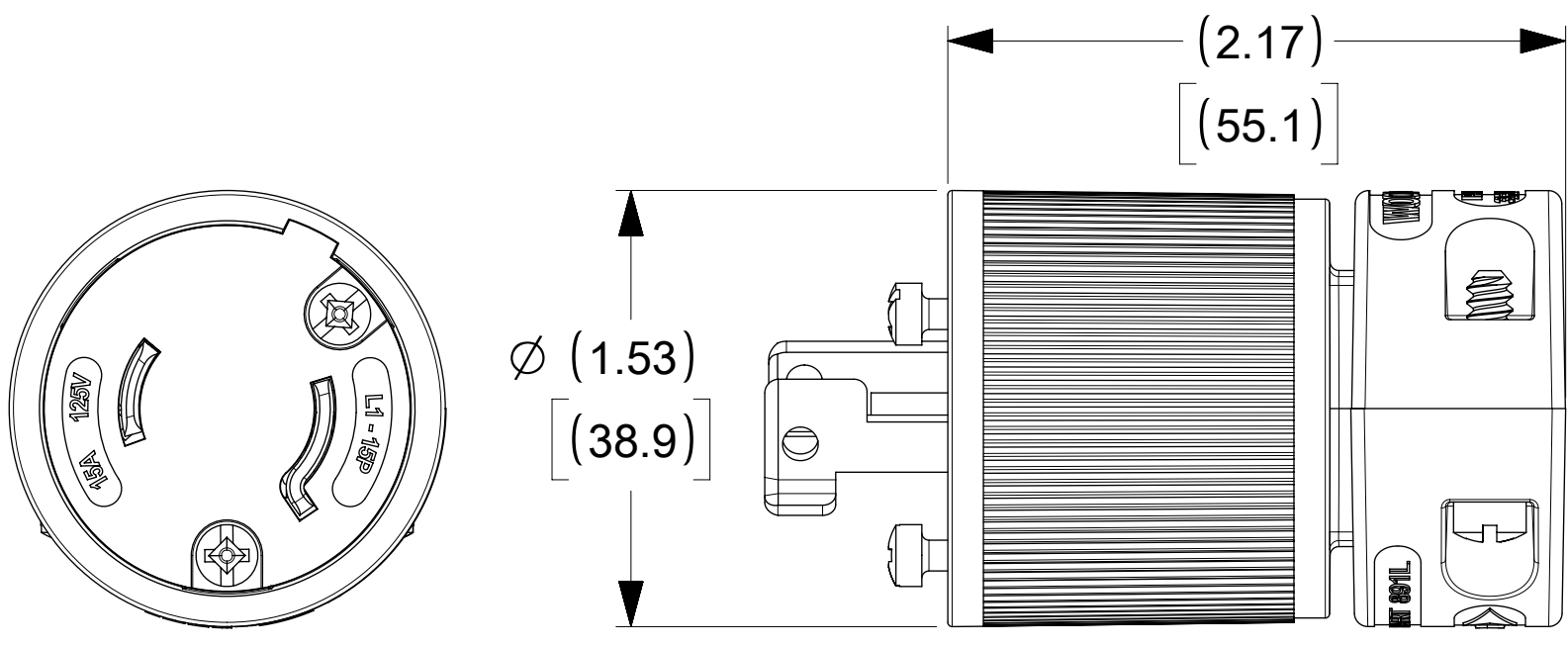
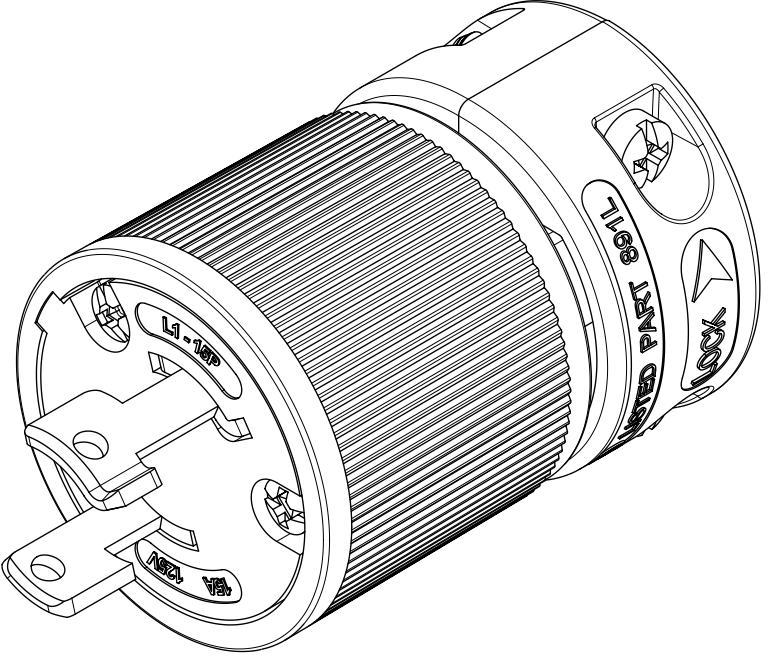
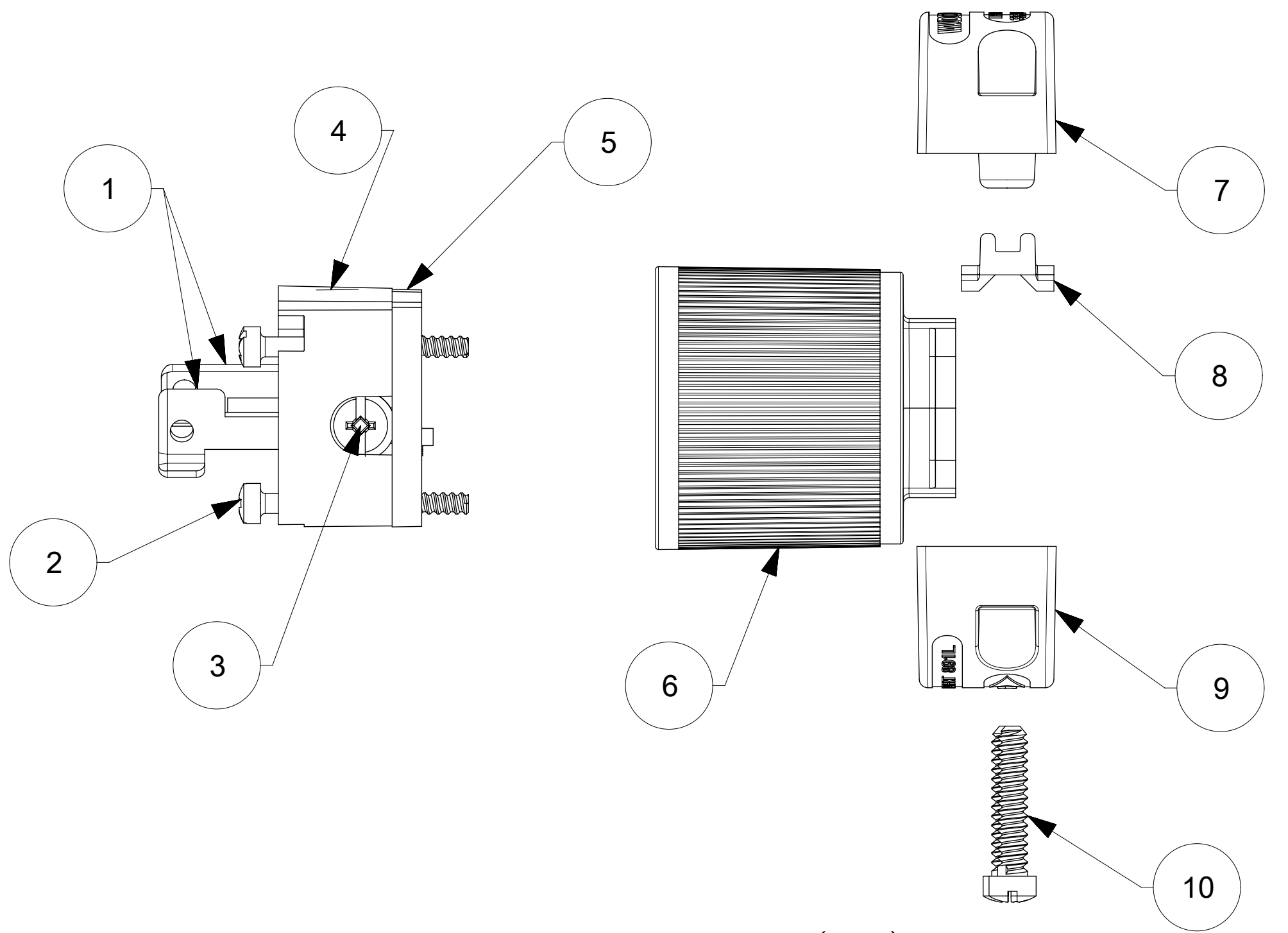
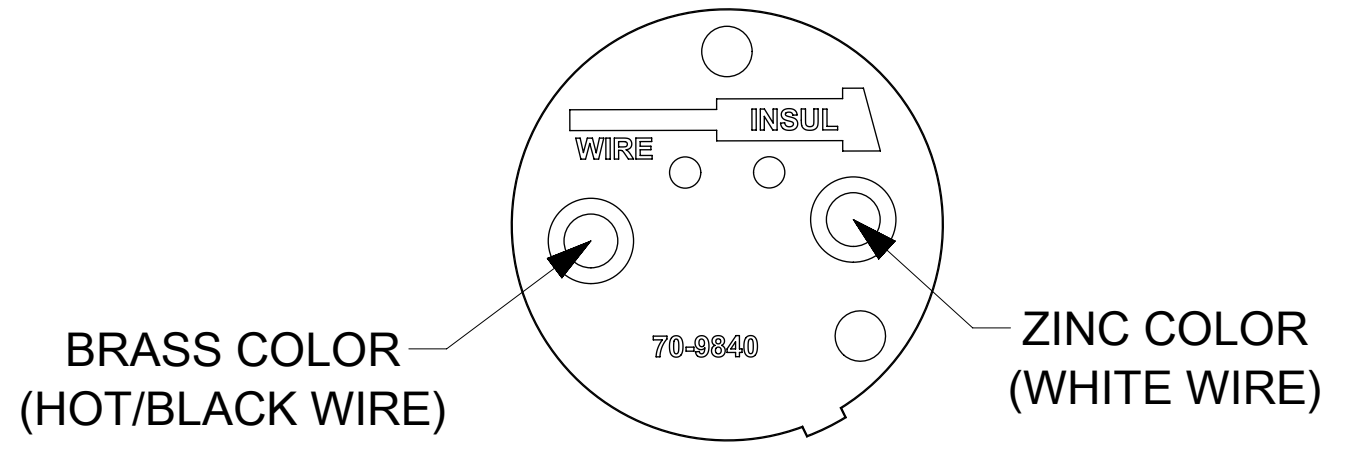


ORDER NO.	WOODHEAD NO.	COLOR
130144-0017	24T04	BLACK



FACE VIEW

WIRING TERMINATION



ITEM NO.	DESCRIPTIONS	MATERIAL	QTY.
1	BLADES	BRASS	2
2	RETAINING SCREWS	STAINLESS STEEL	2
3	TERMINAL SCREWS/CLAMP ASSEMBLY	BRASS, ZINC PLATED	2
4	INSERT	NYLON	1
5	TERMINAL COVER	POLYCARBONATE	1
6	HOUSING	NYLON	1
7	CLAMP CORD MALE	NYLON	1
8	CLAMP CORD INSERT	NYLON	1
9	CLAMP CORD FEMALE	NYLON	1
10	RETAINING SCREWS	STEEL, ZINC PLATED	2

SYMBOLS DIMENSION UNITS: INCH[MM] SCALE: NTS CURRENT REV DESC: NEW RELEASE				molex SAFEWAY PLUG TURNEX 2P2W L1-15					
GENERAL TOLERANCES (UNLESS SPECIFIED) 4 PLACES ± 3 PLACES ± 2 PLACES ± 1 PLACE ± 0 PLACES ±				EC NO: 621489 DRWN: VBASUTHKARP 2019/02/21 CHK'D: DNGUYEN62 2019/12/02 APPR: HKNEELAND 2020/01/13					
DRAFT WHERE APPLICABLE MUST REMAIN WITHIN DIMENSIONS				THIRD ANGLE PROJECTION		DRAWING SERIES: C-SIZE 130144		PRODUCT CUSTOMER DRAWING DOCUMENT NUMBER: 1301440017 DOC TYPE: PSD DOC PART: 000 REVISION: A	
DOCUMENT STATUS: P1		RELEASE DATE: 2020/01/13 22:31:13		MATERIAL NUMBER: SEE TABLE		CUSTOMER: GENERAL MARKET		SHEET NUMBER: 1 OF 1	