

4

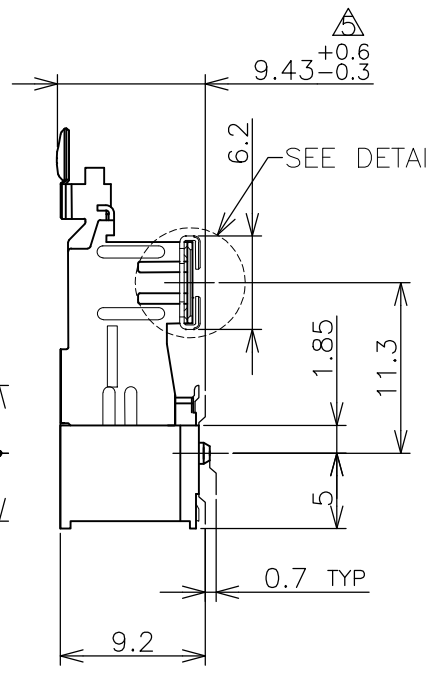
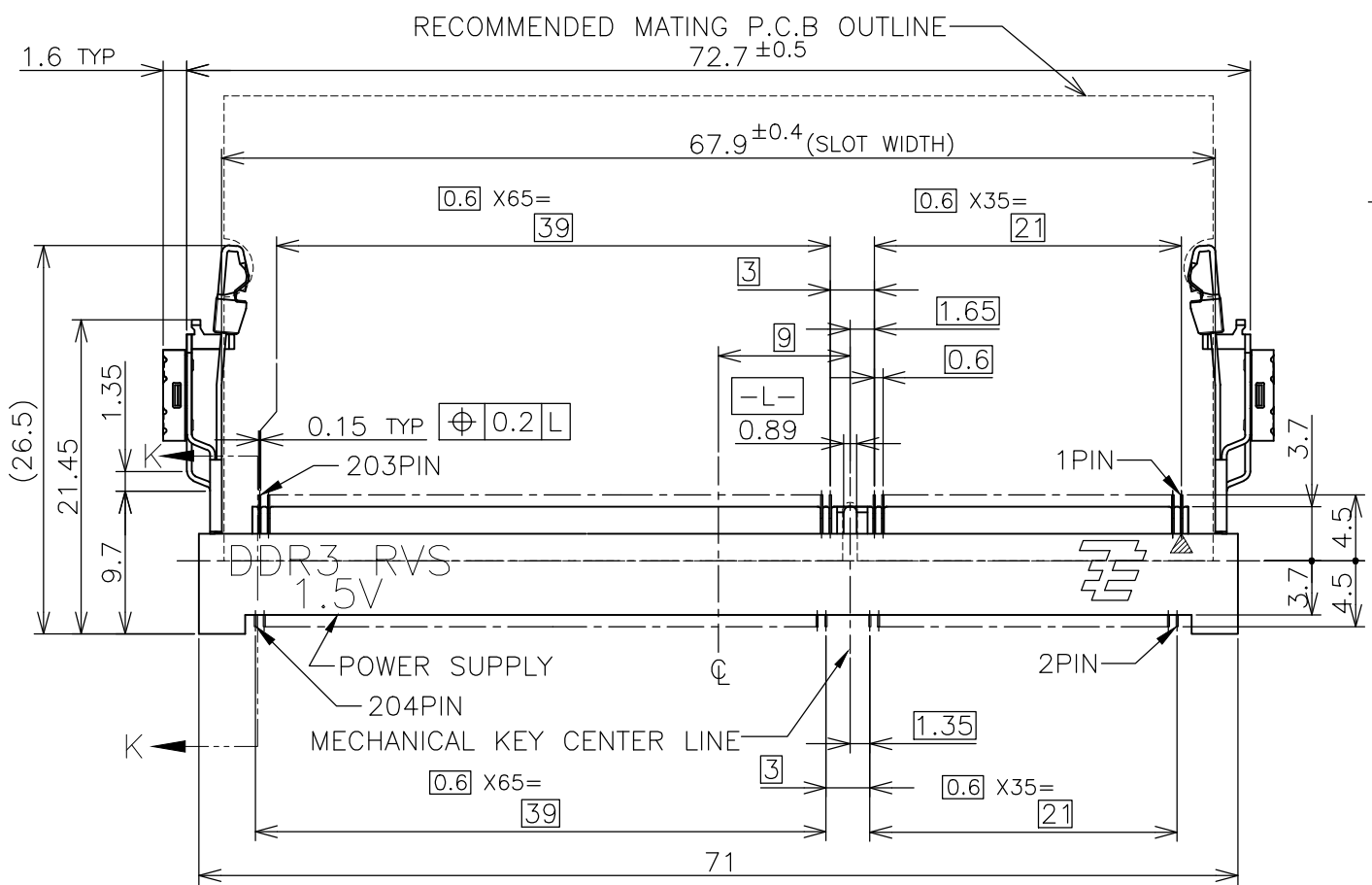
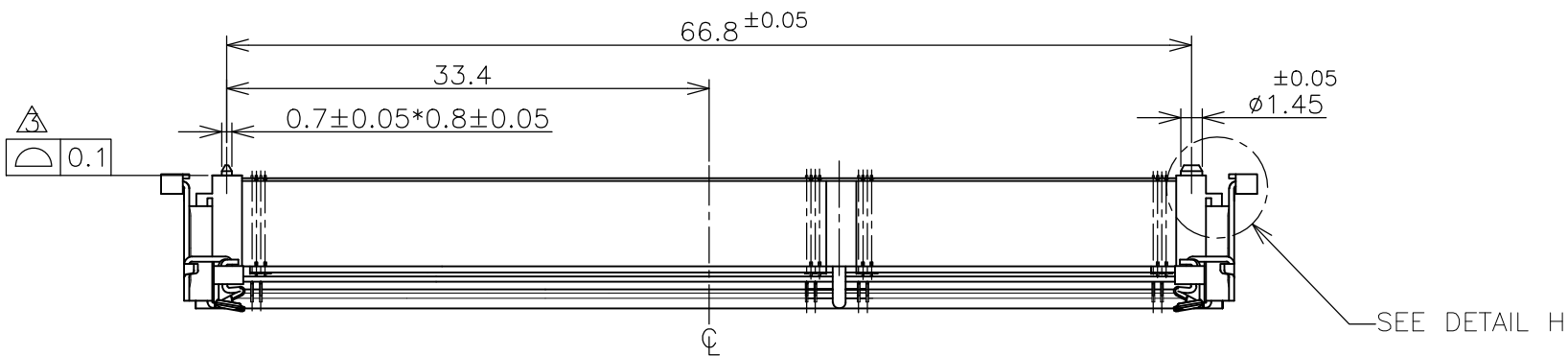
3

2

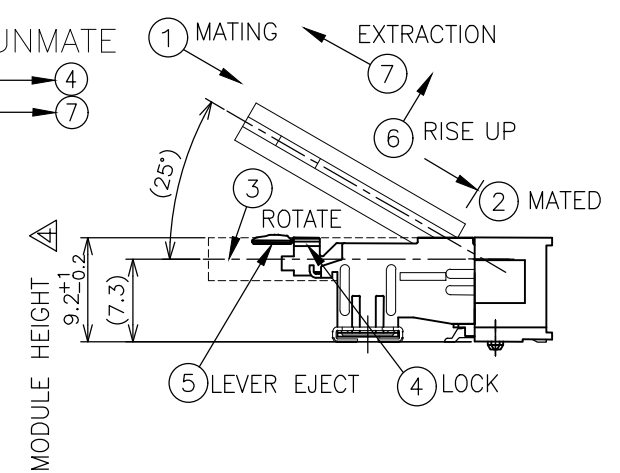
1

THIS DRAWING IS UNPUBLISHED. RELEASED FOR PUBLICATION . SEP 2007  
 © COPYRIGHT 2007 By - ALL RIGHTS RESERVED.

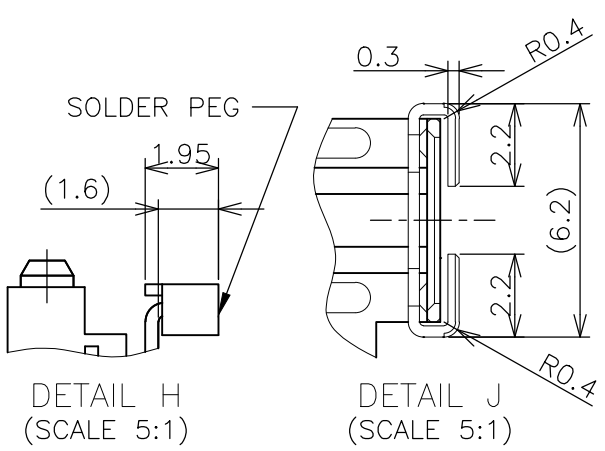
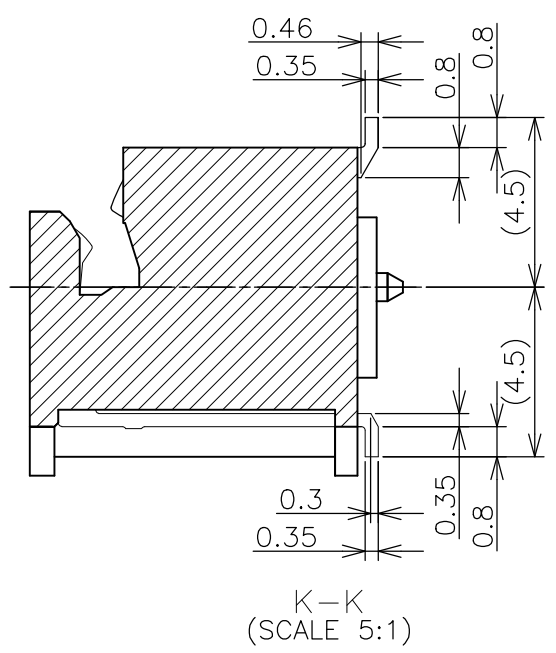
LOC	DIST	REVISIONS			
P	LTR	DESCRIPTION	DATE	DWN	APVD
J	/	D1	REVISED PER ECR-20-005200	08APR2020	D.Z S.L



HOW TO MATE AND UNMATE  
 MATE: ① → ④  
 UNMATE: ⑤ → ⑦



1. MATERIAL ; HOUSING: HIGH TEMPERATURE THERMO PLASTIC UL94V-0  
 COLOR: SEE TABLE  
 CONTACT: COPPER ARROY  
 LOCK LEVER: STAINLESS STEEL  
 PEG: COPPER ARROY
- 2-1. FINISH ; CONTACT AREA: GOLD FLASH  
 ALL OVER NICKEL.  
 SOLDERING AREA: GOLD FLASH PLATING  
 PEG: TIN PLATING.
- 2-2. FINISH ; CONTACT AREA: 0.000254MIN GOLD  
 ALL OVER NICKEL.  
 SOLDERING AREA: GOLD FLASH PLATING  
 PEG: TIN PLATING.
- 2-3. FINISH ; CONTACT AREA: 0.00076MIN GOLD  
 ALL OVER NICKEL.  
 SOLDERING AREA: GOLD FLASH PLATING  
 PEG: TIN PLATING.
- △ COPLANARITY: 0.1 MAX. (BEFORE SOLDERING)  
 △ THE FLOATING VALUE BY SOLDERING IS NOT INCLUDED.  
 △ NOT MATING CONDITION.
6. IF THE MODULE DOESN'T INSERT AND LOCK IN THE LATCH SMOOTHLY,  
 OPEN WIDE BOTH LATCHES BY MANUAL. AND THE MODULE MUST BE  
 INSERTED AND LOCKED IN THE LATCH.



GENERAL TOLERANCE  
 10 ≥ : ±0.2  
 30 ≥ >10 : ±0.25  
 100 ≥ >30 : ±0.3  
 ANGLES : ±3°

THIS DRAWING IS A CONTROLLED DOCUMENT.		DWN T.FUMIKURA 18SEP2007	<b>STE</b> TE Connectivity	
DIMENSIONS: MM		CHK K.IKEGAMI 18SEP2007		
TOLERANCES UNLESS OTHERWISE SPECIFIED:		APVD K.IKEGAMI 18SEP2007	NAME	
0 PLC ±		PRODUCT SPEC	DDR3 SODIMM SOCKET	
1 PLC ±		108-78493	0.6mm PITCH 204POS	
2 PLC ±		APPLICATION SPEC	9.2mm HEIGHT REVERSE TYPE	
3 PLC ±		WEIGHT 6.2g	SIZE A3	CAGE CODE 00779
4 PLC ±		CUSTOMER DRAWING	DRAWING NO C-2013311	RESTRICTED TO
ANGLES ±		SCALE 2:1	SHEET 1 OF 6	REV D1
FINISH ±				

THIS DRAWING IS UNPUBLISHED. RELEASED FOR PUBLICATION .SEP 2007  
 © COPYRIGHT 2007 By - ALL RIGHTS RESERVED.

LOC	DIST	REVISIONS					
		P	LTR	DESCRIPTION	DATE	DWN	APVD
J	-	-	-	SEE SHEET 1	-	-	-

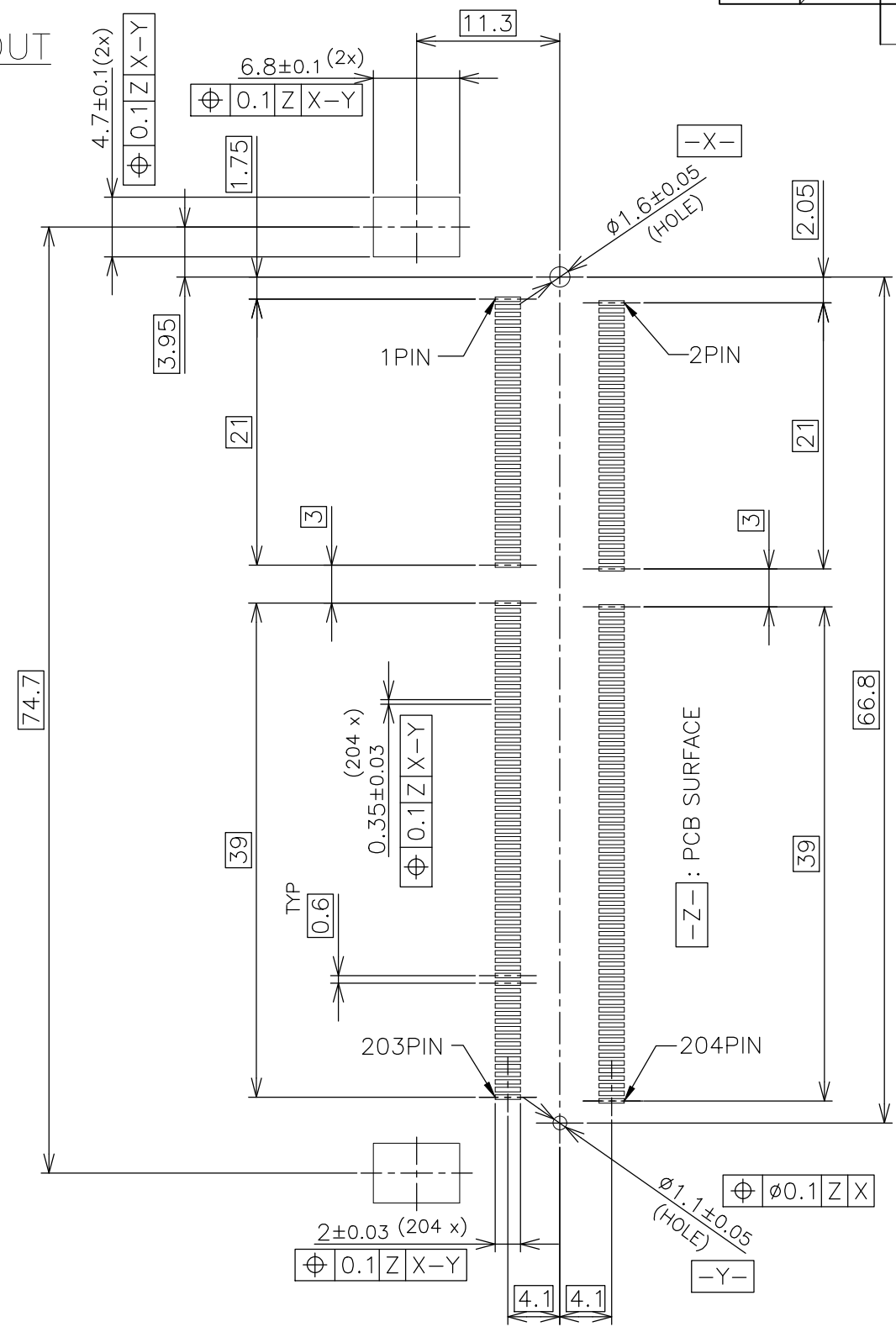
TOOLING STATUS	PACKAGING TYPE	REMARK	HOUSING COLOR	FINISH	POWER SUPPLY	POS	PART NO.
AVAILABLE	SEMI-HARD TRAY (SEE SHEET 5)	WITH BOSS	BLACK	NOTE 2-3	1.5V	204	4-2013311-3
AVAILABLE	ENBOSS (SEE SHEET 6)	WITHBOSS	BLACK	NOTE 2-3	1.5V	204	2-2013311-3
AVAILABLE	ENBOSS (SEE SHEET 6)	WITHBOSS	BLACK	NOTE 2-2	1.5V	204	2-2013311-2
AVAILABLE	ENBOSS (SEE SHEET 6)	WITHBOSS	BLACK	NOTE 2-1	1.5V	204	2-2013311-1
AVAILABLE	SEMI-HARD TRAY (SEE SHEET 5)	WITH BOSS	BLACK	NOTE 2-3	1.5V	204	2013311-3
AVAILABLE	SEMI-HARD TRAY (SEE SHEET 5)	WITH BOSS	BLACK	NOTE 2-2	1.5V	204	2013311-2
AVAILABLE	SEMI-HARD TRAY (SEE SHEET 5)	WITH BOSS	BLACK	NOTE 2-1	1.5V	204	2013311-1

THIS DRAWING IS A CONTROLLED DOCUMENT.		DWN	<b>STE</b> TE Connectivity		
DIMENSIONS: MM		CHK			
TOLERANCES UNLESS OTHERWISE SPECIFIED:		APVD	NAME		
0 PLC ± 0.5		PRODUCT SPEC	DDR3 SODIMM SOCKET		
1 PLC ± 0.5		APPLICATION SPEC	0.6mm PITCH 204POS		
2 PLC ± 0.5		WEIGHT	SIZE	CAGE CODE	DRAWING NO
3 PLC ± 0.5		CUSTOMER DRAWING	A3	00779	C-2013311
4 PLC ± 0.5			SCALE	SHEET	REV
ANGLES ± 3'			2:1	2 of 6	D1
MATERIAL	FINISH				

THIS DRAWING IS UNPUBLISHED. RELEASED FOR PUBLICATION . SEP 2007  
 © COPYRIGHT 2007 By - ALL RIGHTS RESERVED.

LOC	DIST	REVISIONS			
P	LTR	DESCRIPTION	DATE	DWN	APVD
J	/	-	SEE SHEET 1	-	-

REFERENCE P.C.BOARD PATTERN LAYOUT  
 (CONNECTOR MOUNTING SIDE)



RVS TYPE

THIS DRAWING IS A CONTROLLED DOCUMENT.		DWN		TE Connectivity			
DIMENSIONS: MM		CHK					
		TOLERANCES UNLESS OTHERWISE SPECIFIED:		NAME			
MATERIAL		FINISH		DDR3 SODIMM SOCKET 0.6mm PITCH 204POS 9.2mm HEIGHT REVERSE TYPE			
		0 PLC ± 1 PLC ± 2 PLC ± 3 PLC ± 4 PLC ± ANGLES ±		PRODUCT SPEC APPLICATION SPEC			
		2±0.03 (204 x) 0.35±0.03 (204 x) 0.1±0.03 (204 x) 6.8±0.1 (2x) 0.1±0.03 (2x) 4.7±0.1 (2x) 1.75 11.3 2.05 2.05 21 21 3 3 39 39 66.8 66.8 74.7 74.7 3.95 3.95		WEIGHT CUSTOMER DRAWING		SIZE: A3 CAGE CODE: 00779 DRAWING NO: C-2013311	
		2±0.03 (204 x) 0.1±0.03 (204 x) 4.1 4.1		RESTRICTED TO: -			
		1.6±0.05 (HOLE) 1.1±0.05 (HOLE)		SCALE: 2:1 SHEET: 3 of 6 REV: D1			



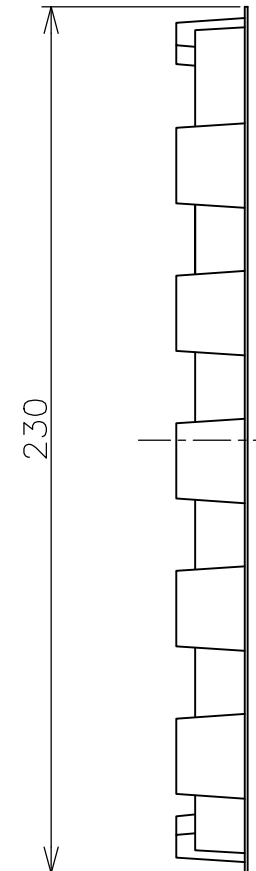
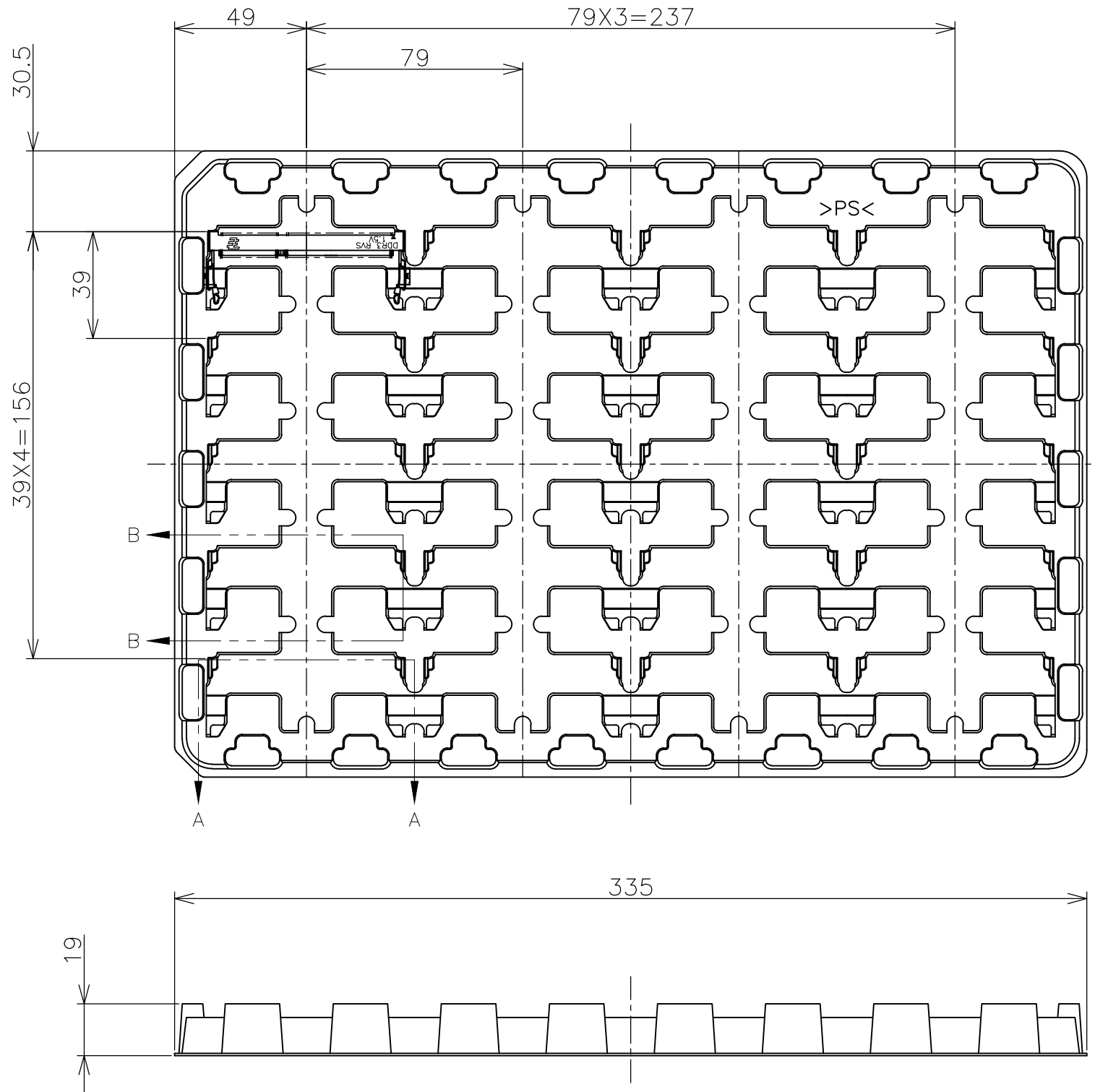
THIS DRAWING IS UNPUBLISHED.

RELEASED FOR PUBLICATION . SEP 2007

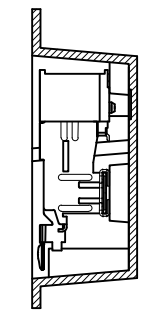
© COPYRIGHT 2007 By -

ALL RIGHTS RESERVED.

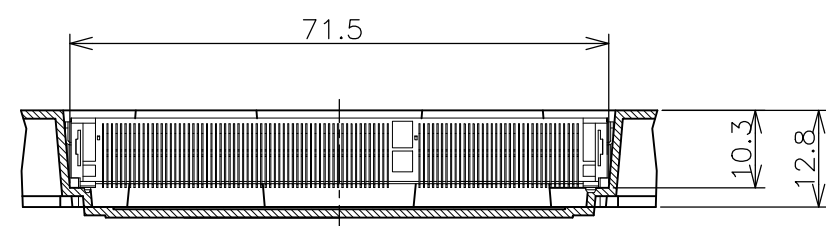
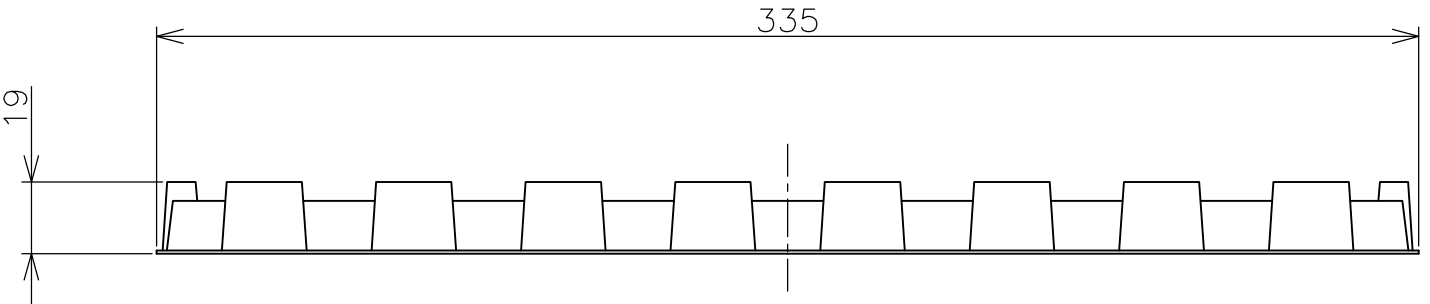
LOC	DIST	REVISIONS			
P	LTR	DESCRIPTION	DATE	DWN	APVD
J	/	SEE SHEET 1	-	-	-



(APPLIED TO SHEET 5)  
 1. THE DIRECTION OF EACH CONNECTOR ON A TRAY IS REFERRED TO THIS DRAWING.  
 2. GENERAL TOLERANCE: ±0.5, ±3°



B-B SCALE 1:1



A-A SCALE 1:1 (180DEG. ROTATE)

200EA/BOX	20EA/TRAY	*-2013311-*
QTY/BOX	QTY/TRAY	PART NO.

THIS DRAWING IS A CONTROLLED DOCUMENT.		DWN	<b>STE</b> TE Connectivity		
DIMENSIONS: MM		CHK			
TOLERANCES UNLESS OTHERWISE SPECIFIED:		APVD	NAME		
0 PLC ± 0.5		PRODUCT SPEC	DDR3 SODIMM SOCKET		
1 PLC ± 0.5		APPLICATION SPEC	0.6mm PITCH 204POS		
2 PLC ± 0.5		WEIGHT	SIZE	CAGE CODE	DRAWING NO
3 PLC ± 0.5		CUSTOMER DRAWING	A3	00779	C-2013311
4 PLC ± 0.5			SCALE	SHEET	REV
ANGLES ± 3°		1:2		5 of 6	D1
MATERIAL		FINISH		RESTRICTED TO	

4

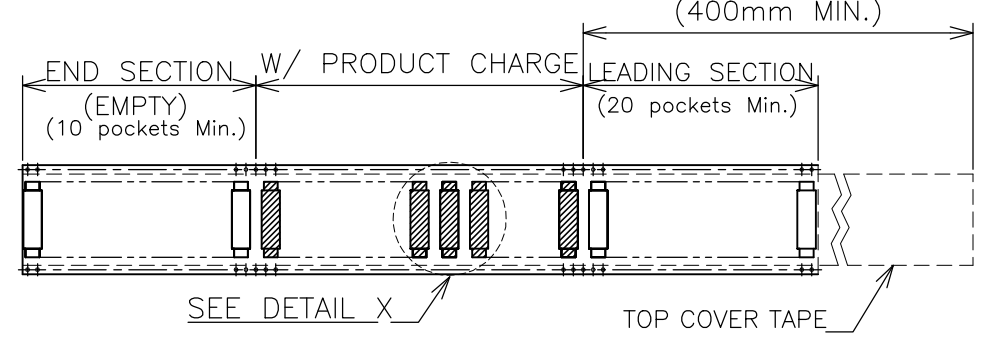
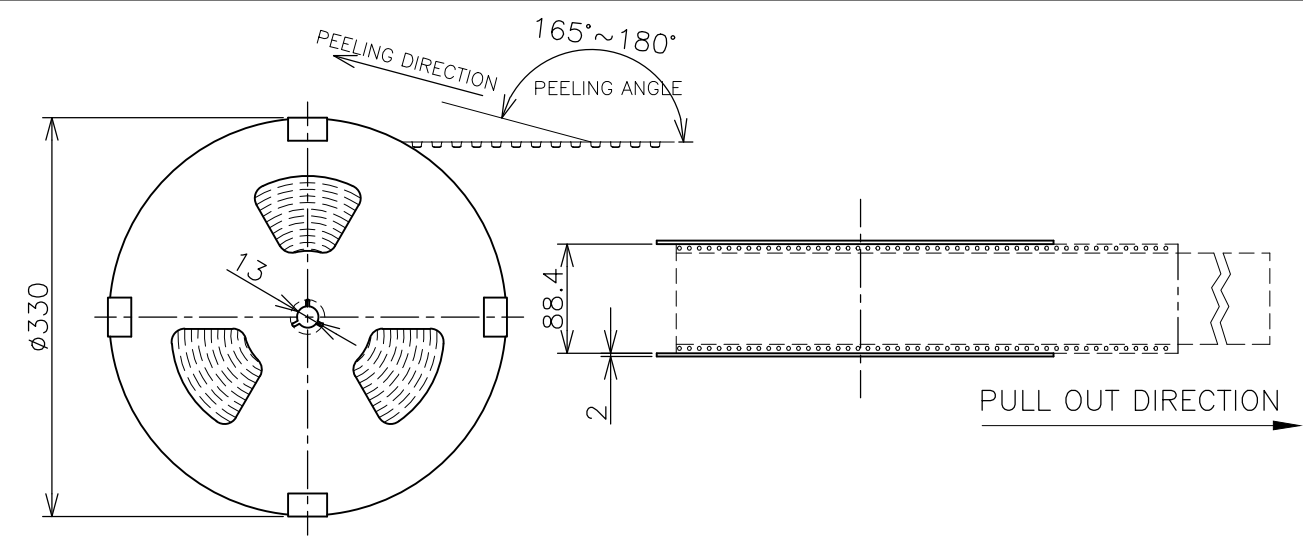
3

2

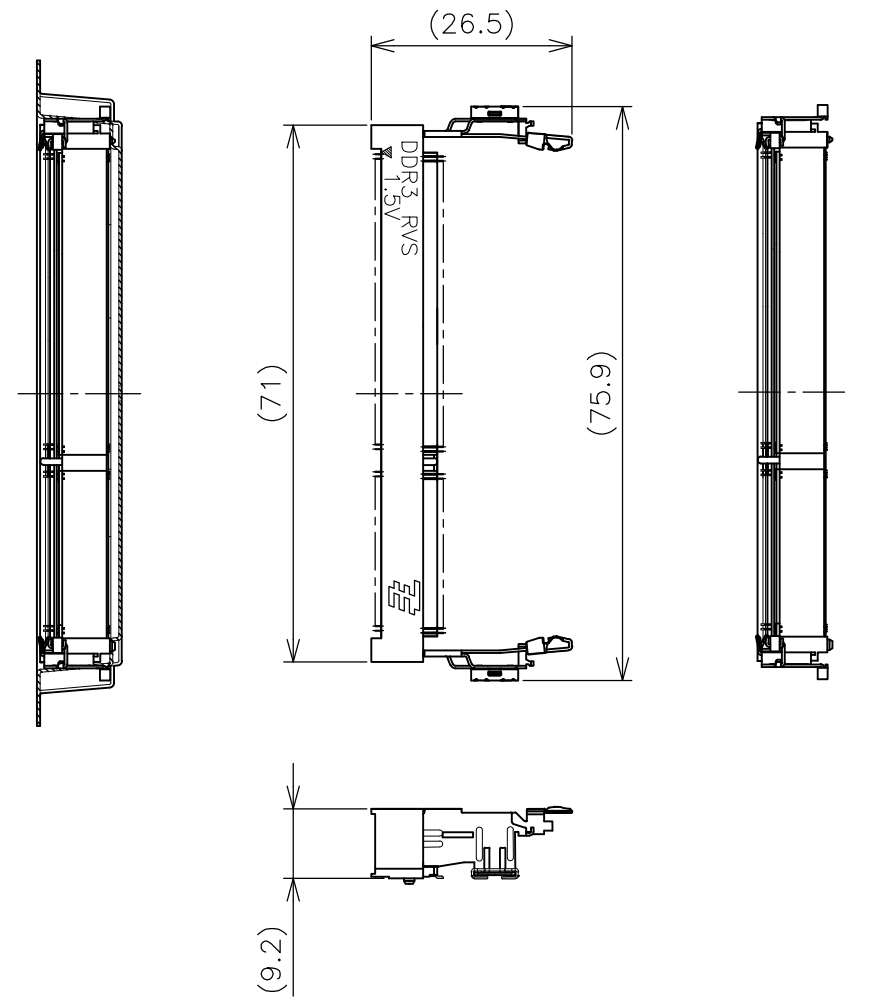
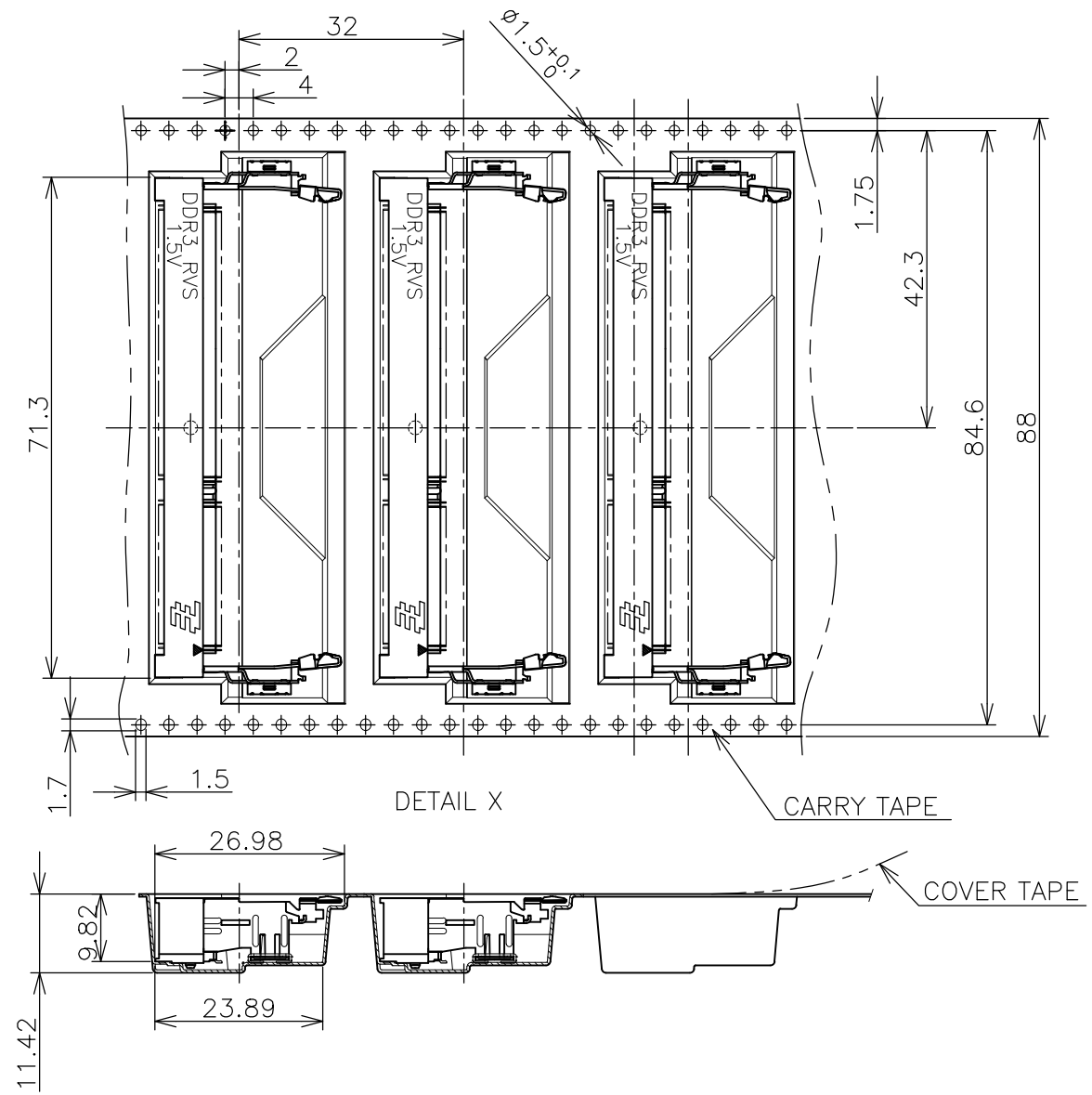
1

THIS DRAWING IS UNPUBLISHED. RELEASED FOR PUBLICATION .SEP 2007  
 © COPYRIGHT 2007 By - ALL RIGHTS RESERVED.

LOC	DIST	REVISIONS					
J	/	P	LTR	DESCRIPTION	DATE	DWN	APVD
		-		SEE SHEET 1	-	-	-



- (APPLIED TO SHEET 6)
1. THE DIRECTION OF EACH CONNECTOR ON A EMBOSS IS REFERRED TO THIS DRAWING.
  2. GENERAL TOLERANCE:  $\pm 0.5$ ,  $\pm 3^\circ$



THIS DRAWING IS A CONTROLLED DOCUMENT.		DWN	TE Connectivity			
DIMENSIONS: MM		CHK				
TOLERANCES UNLESS OTHERWISE SPECIFIED:		APVD	NAME			
0 PLC $\pm 0.5$ 1 PLC $\pm 0.5$ 2 PLC $\pm 0.5$ 3 PLC $\pm 0.5$ 4 PLC $\pm 0.5$ ANGLES $\pm 3^\circ$		PRODUCT SPEC	DDR3 SODIMM SOCKET 0.6mm PITCH 204POS 9.2mm HEIGHT REVERSE TYPE			
MATERIAL		APPLICATION SPEC	SIZE	CAGE CODE	DRAWING NO	RESTRICTED TO
FINISH		WEIGHT	A3	00779	C-2013311	-
CUSTOMER DRAWING			SCALE	SHEET	REV	
			1:2	6 OF 6	D1	