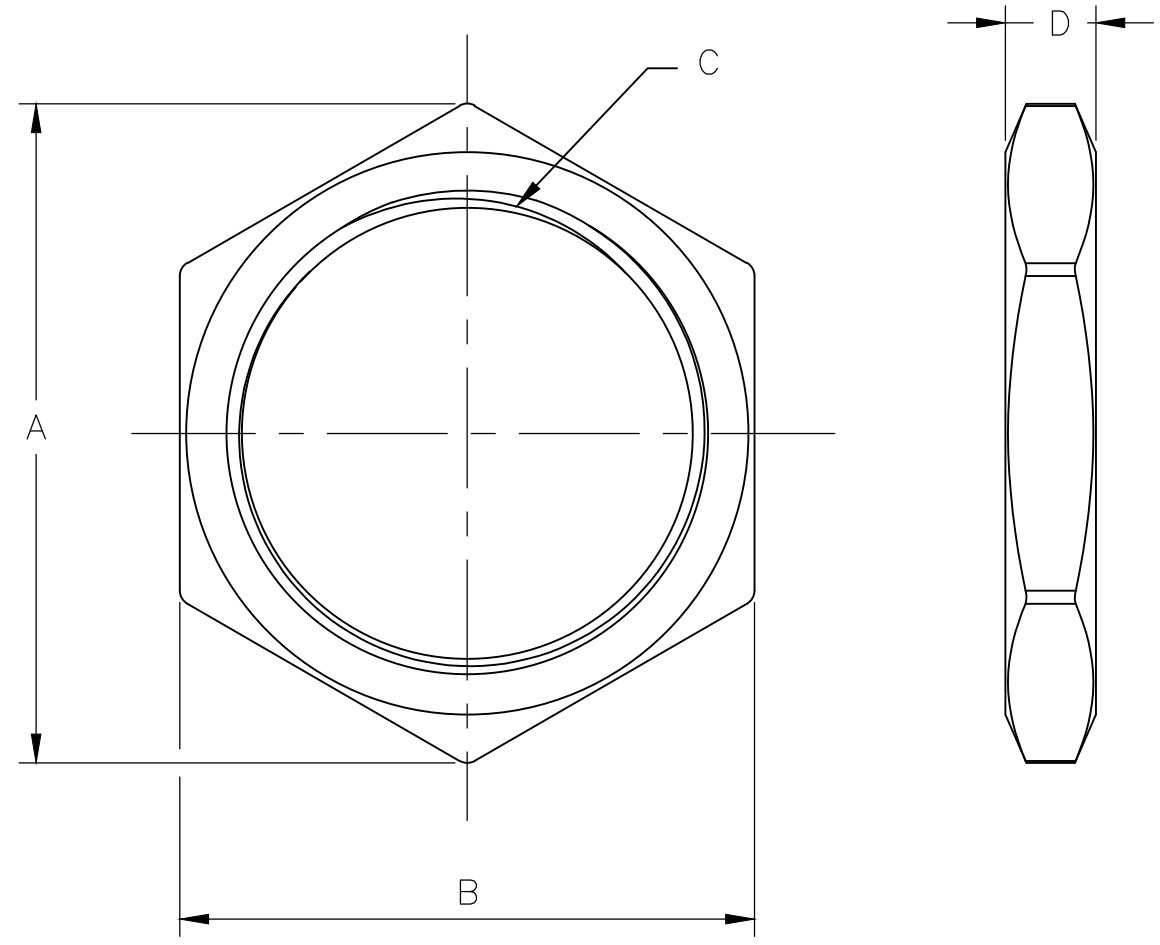

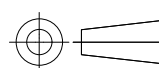


REVISIONS					
P	LTR	DESCRIPTION	DATE	DWN	APVD
	A	INITIAL RELEASE	22OCT2020	GSK	JB



TE PN	Anti-vandal diameter mm [INCHES]	Dimension A	Dimension B	Dimension C	Dimension D
2368790-1	16 [0.63]	21.75 [0.856]	19 [0.75]	M16x1.0	3.00 [0.118]
2368790-2	19 [0.75]	25.2±0.3 [1±0.012]	22±0.15 [0.866±.006]	M19x1.0	3.00±0.1 [0.118±0.004]
2368790-3	22 [0.87]	28.9 [1.138]	25 [0.98]	M22x1.0	3.00±0.25 [0.118±0.001]
2368790-4	25 [1.00]	32.1 [1.264]	28 [1.10]	M25x1.0	3.10±0.25 [0.122±0.001]

Note
1. Material: Brass (Nickel plated)

THIS DRAWING IS A CONTROLLED DOCUMENT.		DWN 22OCT2020 SATHISH KUMAR G	 TE Connectivity		
DIMENSIONS: mm [INCHES]		CHK 22OCT2020 JAZZEL BELTRAN			
		APVD 22OCT2020 ALEXANDER SHARPE	PRODUCT SPEC -		
TOLERANCES UNLESS OTHERWISE SPECIFIED:		PRODUCT SPEC -	APPLICATION SPEC -		
MATERIAL -		FINISH -	WEIGHT -	SIZE A3	CAGE CODE 00779
				DRAWING NO C-2368790	RESTRICTED TO -
CUSTOMER DRAWING			SCALE NTS	SHEET 1 OF 1	REV A