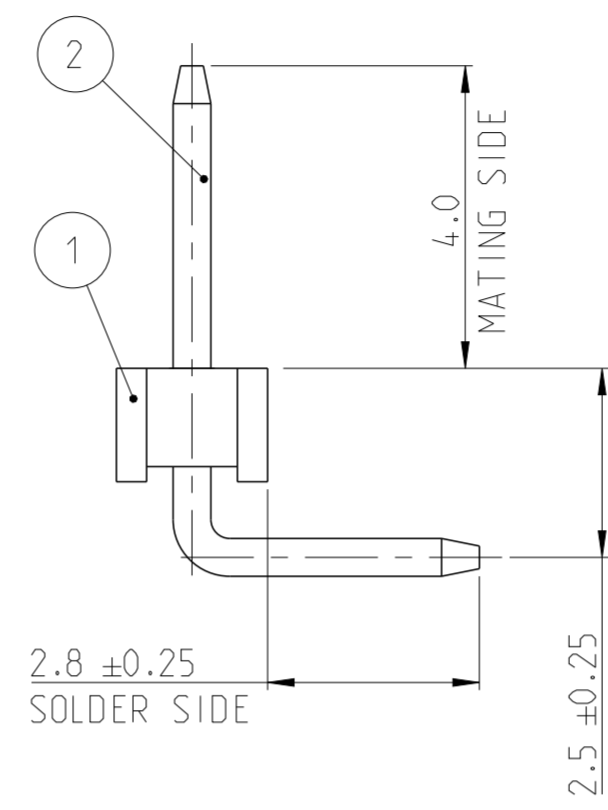
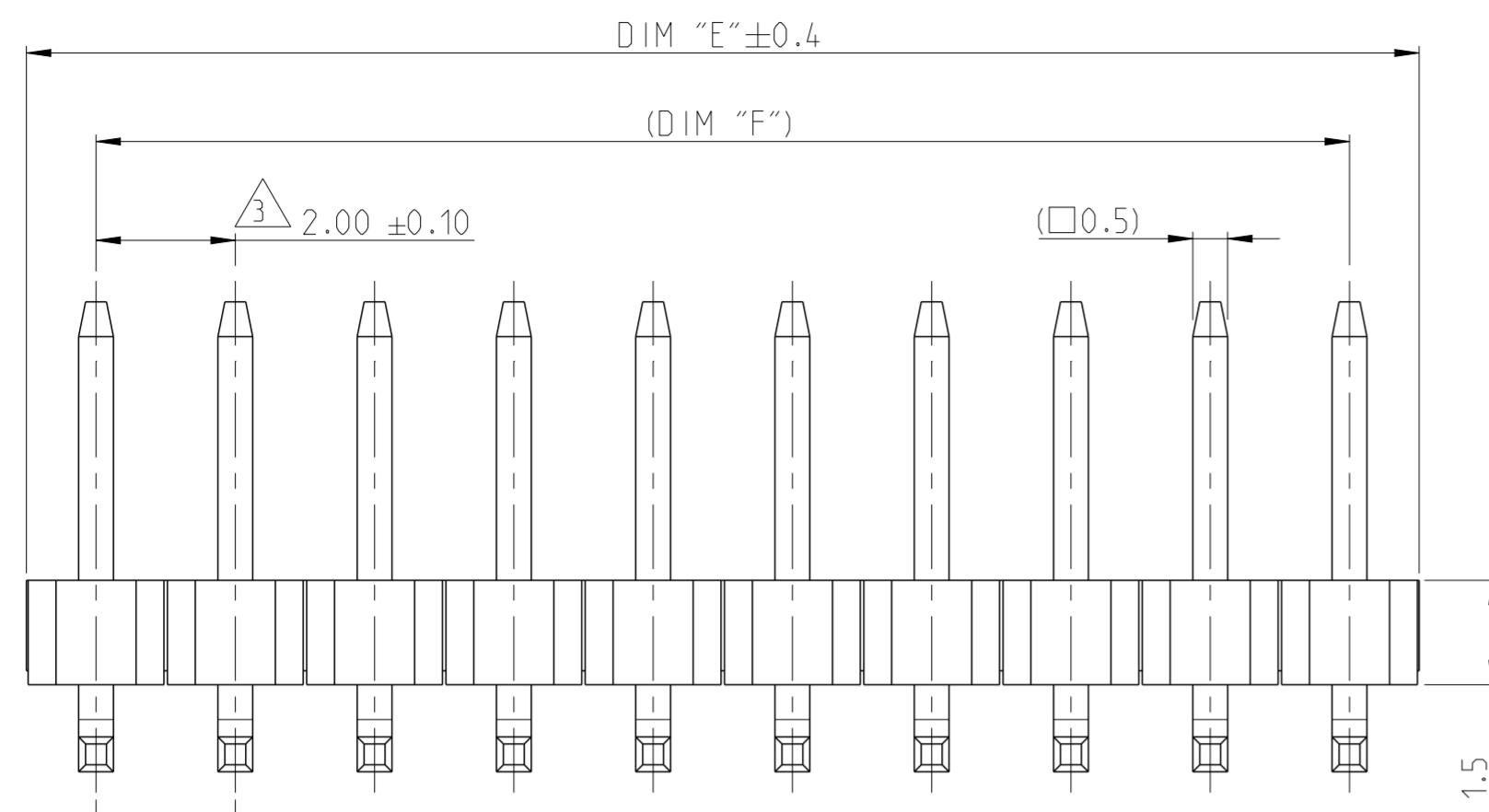
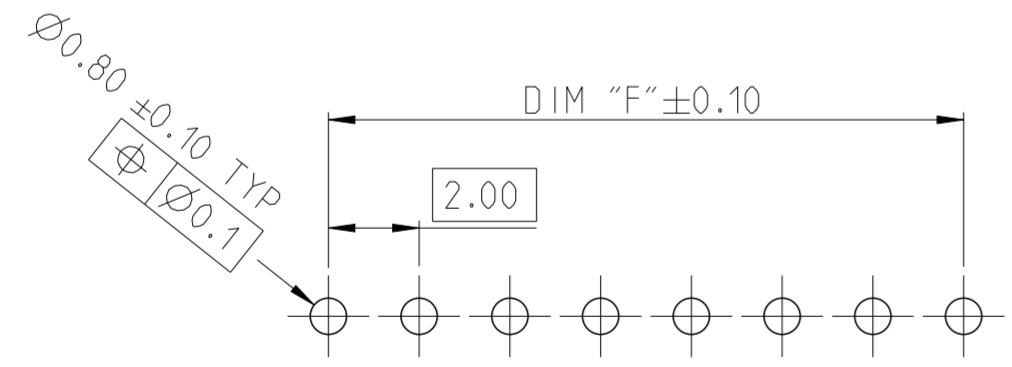
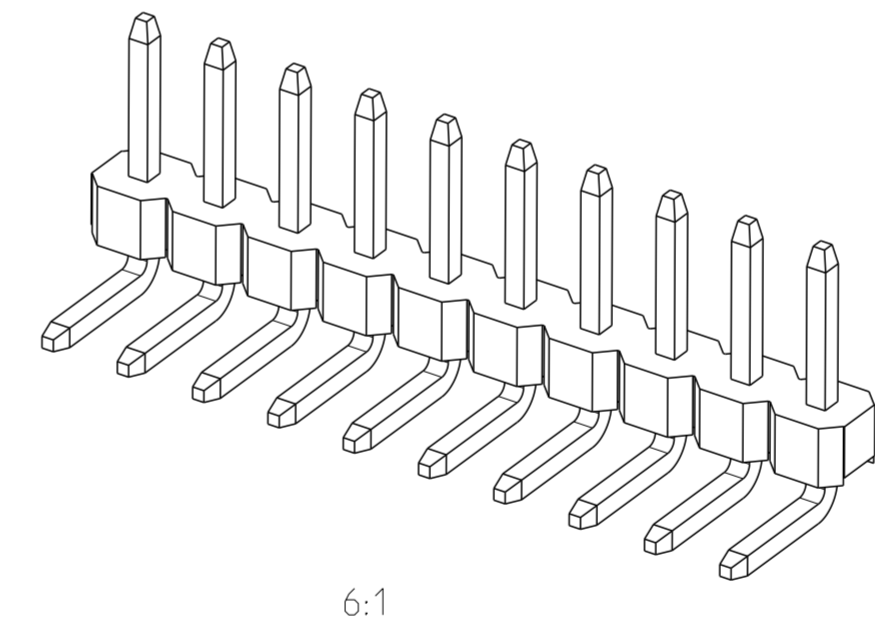
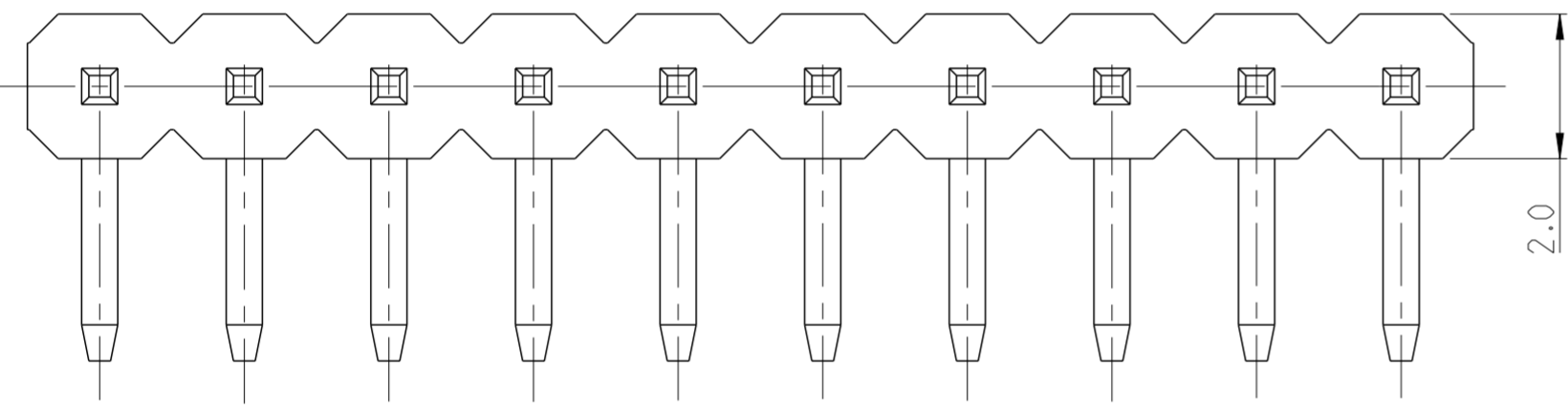


P	LTR	DESCRIPTION	DATE	DWN	APVD
A		RELEASE TO PRODUCTION	27AUG2019	AY	PS
A1		REMOVED TOLERANCE FROM DIM F	17DEC2019	AY	PS

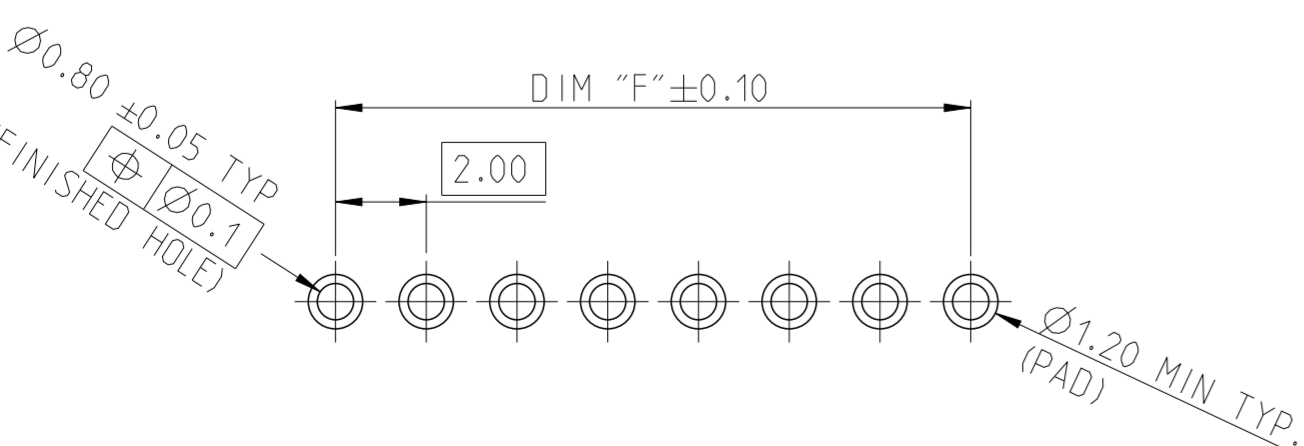


NOTES:

- MATERIAL
HOUSING : HIGH TEMPERATURE THERMOPLASTIC, UL94-V0; COLOR- BLACK
CONTACT PIN : COPPER ALLOY
FINISH :
MATING SIDE: MIN. 0.76 μm GOLD OVER NICKEL UNDER PLATING.
SOLDER SIDE: MIN. 2.0 μm BRIGHT TIN OVER NICKEL UNDER PLATING.
- PACKAGING: TUBE.
- TOLERANCE NOT CUMULATIVE.
- CUTTING BURR MAX. 0.25 mm.



RECOMMENDED PCB HOLE PATTERN FOR THROUGH HOLE WAVE



RECOMMENDED PCB HOLE PATTERN FOR THROUGH HOLE REFLOW /PIN-IN-PASTE

1-2842112-0 AS SHOWN

DIM "F"	DIM "E"	POS	TE PN
48.0	50.0	25	2-2842112-5
46.0	48.0	24	2-2842112-4
44.0	46.0	23	2-2842112-3
42.0	44.0	22	2-2842112-2
40.0	42.0	21	2-2842112-1
38.0	40.0	20	2-2842112-0
36.0	38.0	19	1-2842112-9
34.0	36.0	18	1-2842112-8
32.0	34.0	17	1-2842112-7
30.0	32.0	16	1-2842112-6
28.0	30.0	15	1-2842112-5
26.0	28.0	14	1-2842112-4
24.0	26.0	13	1-2842112-3
22.0	24.0	12	1-2842112-2
20.0	22.0	11	1-2842112-1
18.0	20.0	10	1-2842112-0
16.0	18.0	9	2842112-9
14.0	16.0	8	2842112-8
12.0	14.0	7	2842112-7
10.0	12.0	6	2842112-6
8.0	10.0	5	2842112-5
6.0	8.0	4	2842112-4
4.0	6.0	3	2842112-3
2.0	4.0	2	2842112-2

THIS DRAWING IS A CONTROLLED DOCUMENT.		DWN ANKIT YADAV 01AUG2019	TE Connectivity NAME AMPMODU 2mm BREAKAWAY HEADER, SINGLE ROW, RIGHT ANGLE, 0.76 Au, TUBE SIZE A2 CAGE CODE 100779 DRAWING NO. C-2842112 RESTRICTED TO - SCALE 5:1 SHEET 1 OF 1 REV A1
DIMENSIONS: mm	TOLERANCES UNLESS OTHERWISE SPECIFIED:	CHK KARTHIK JK 14AUG2019	
	0 PLC ±	APVD PRASHANTH S 16AUG2019	
	1 PLC ±0.2	PRODUCT SPEC 108-64040	
	2 PLC ±0.15	APPLICATION SPEC 114-32259	WEIGHT -
	3 PLC ±		CUSTOMER DRAWING
	4 PLC ±		
	ANGLES ±°		
	FINISH -		
	-		

CONTACT PIN	2
HOUSING	1
DESCRIPTION	ITEM NO.