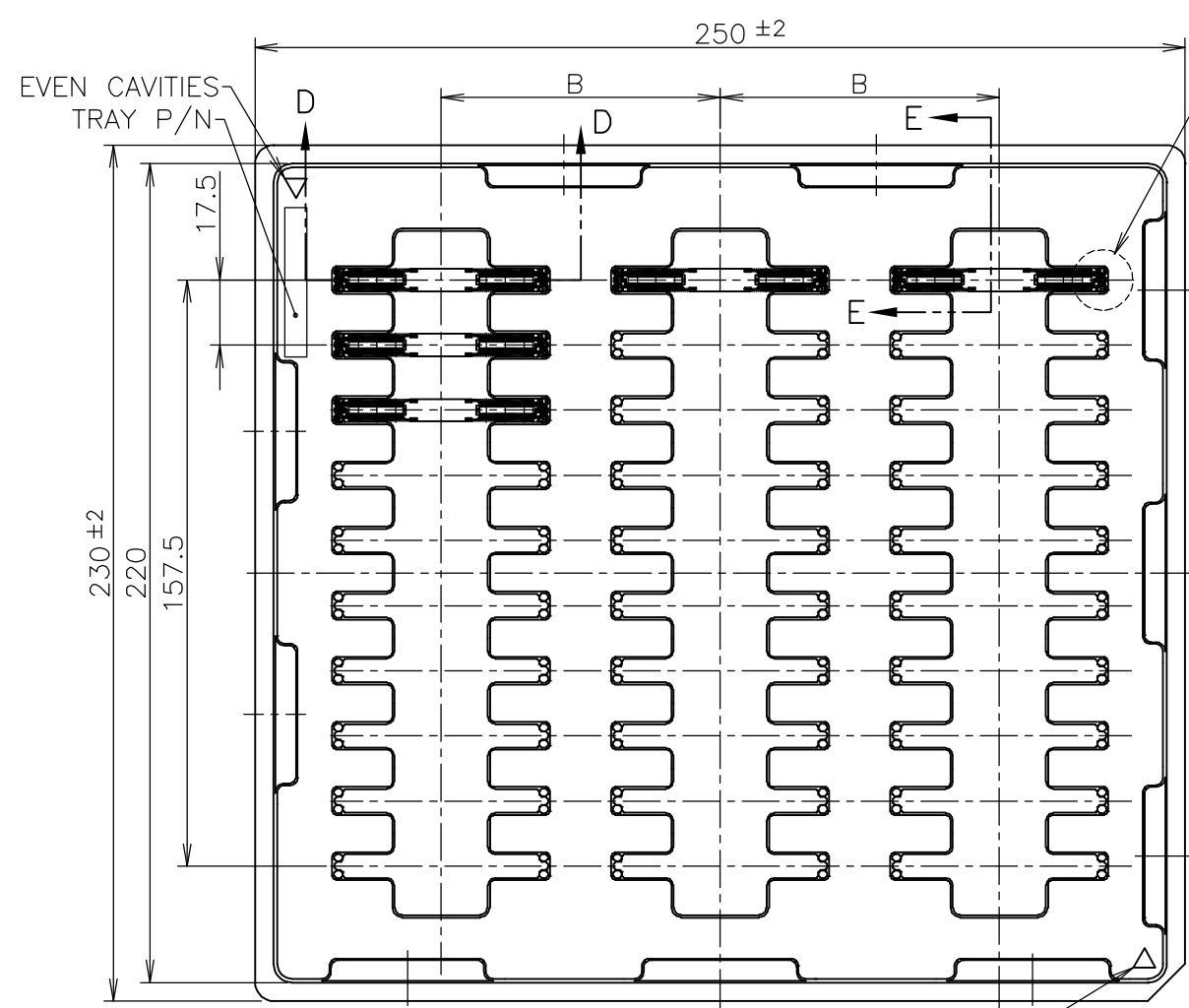
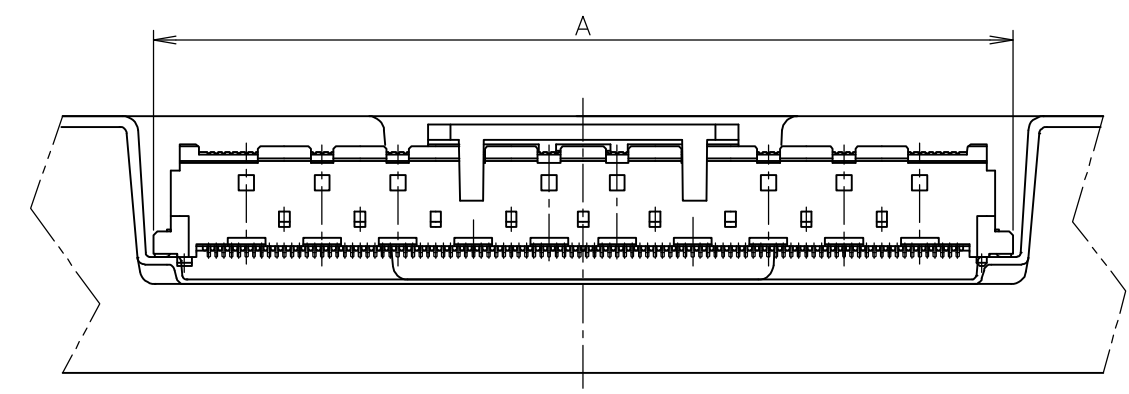


THIS DRAWING IS UNPUBLISHED. RELEASED FOR PUBLICATION OCT, 2006.
 © COPYRIGHT 2006 BY TYCO ELECTRONICS CORPORATION. ALL RIGHTS RESERVED.

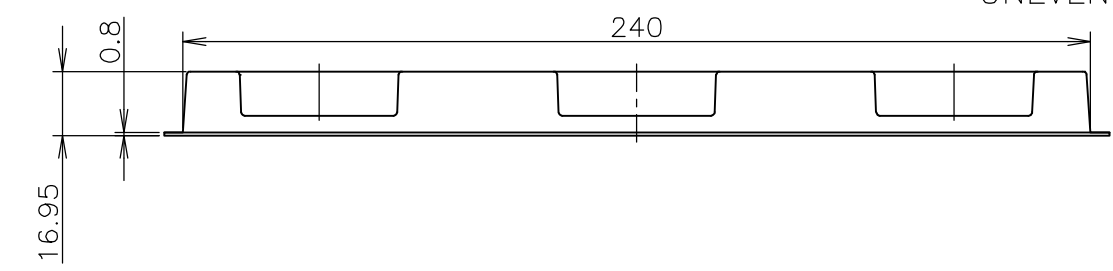
LOC	DIST	REVISIONS			DATE	DWN	APVD
J	/	P	LTR	DESCRIPTION			
			A1	REVISED	07MAR07	Y.H	Y.Y



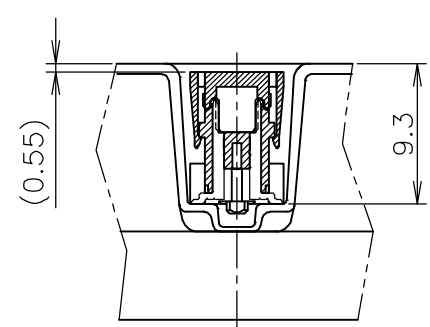
SEE
DETAIL C



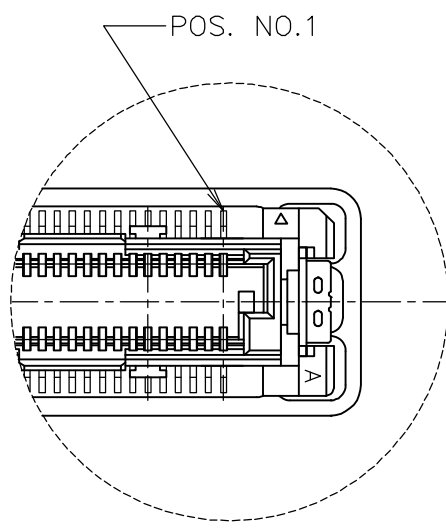
D-D
(SCALE 2:1)



UNEVEN CAVITIES



E-E
(SCALE 2:1)



DETAIL C
(SCALE 4:1)

NON SIF	BLACK	Y	3	30	75	56.8	200	4-1981052-5
		N	↑	↑	↑	66.8	240	
		N			↓	61.8	220	
	NATURAL	Y			75	56.8	200	3-1981052-5
		N			70	51.8	180	
		↑			↑	49.3	170	
						46.8	160	
						44.3	150	
						41.8	140	
			3	30	70	36.8	120	
			5	50	43	31.8	100	
			↑	↑	↑	29.3	90	
						26.8	80	
						24.3	70	
						21.8	60	
						19.3	50	
					16.8	40		
	N	5	50	43	14.3	30		
	CAP COLOR	TOOLING AVAIL	ROW	QTY	B	A	POS.	PART NO.

THIS DRAWING IS A CONTROLLED DOCUMENT.

DWN V.TAN 23OCT2006	 Tyco Electronics AMP K.K. Kawasaki, Japan
CHK Y.NAKAZAWA 23OCT2006	
APVD Y.YAMAMOTO 23OCT2006	NAME 名称
PRODUCT SPEC 製品規格 108-5560	SEMI HARD TRAY ASSY FH 0.5BTB CONNECTOR PLUG 8H WITHOUT G-PLATE, ON CAP
APPLICATION SPEC 取付適用規格	SIZE A3
WEIGHT	CAGE CODE 00779
	DRAWING NO C-1981052
	RESTRICTED TO
	SCALE 尺度 1:2
	SHEET 1 OF 5
	REV A1

CUSTOMER DRAWING

4

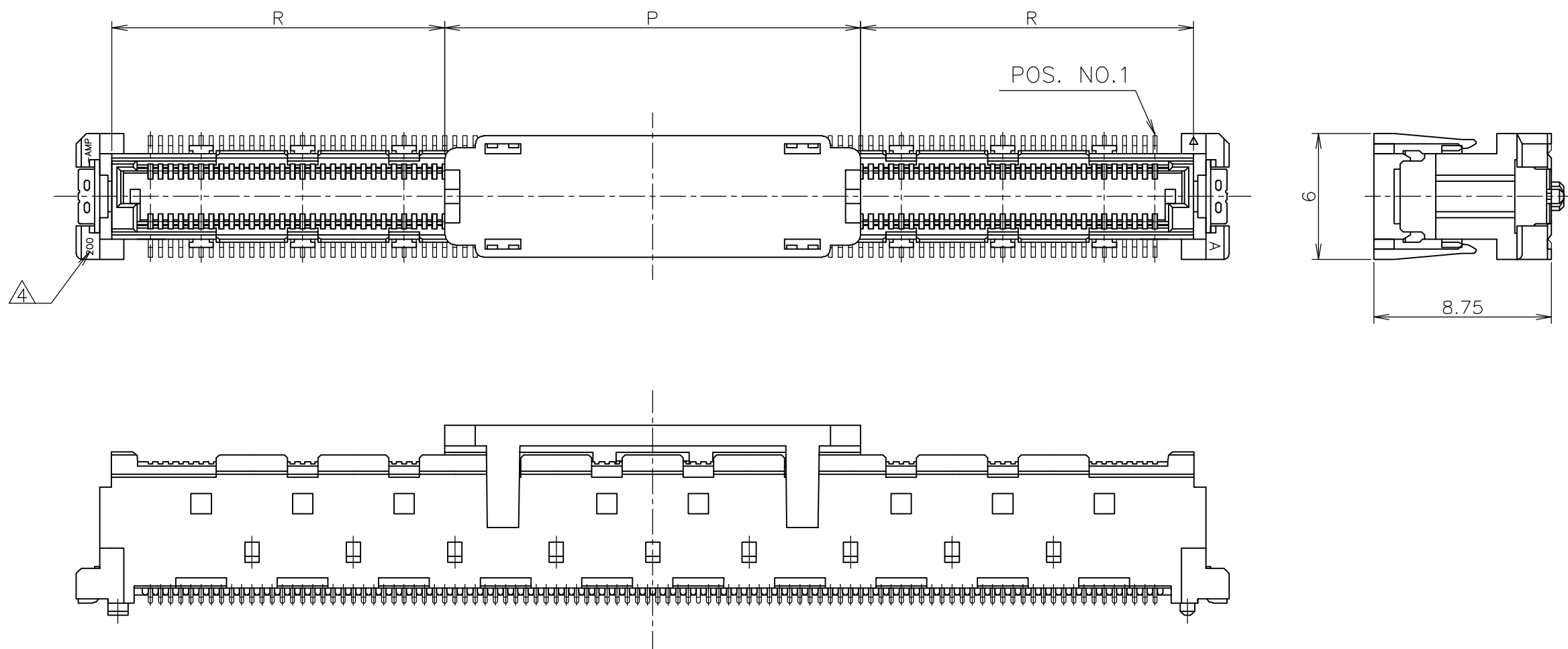
3

2

1

THIS DRAWING IS UNPUBLISHED. RELEASED FOR PUBLICATION OCT ,2006.
 © COPYRIGHT 2006 BY TYCO ELECTRONICS CORPORATION. ALL RIGHTS RESERVED.

LOC	DIST	REVISIONS		
J	/	P	LTR	DESCRIPTION
				DATE
				DWN
				APVD
		SEE SHEET 1		



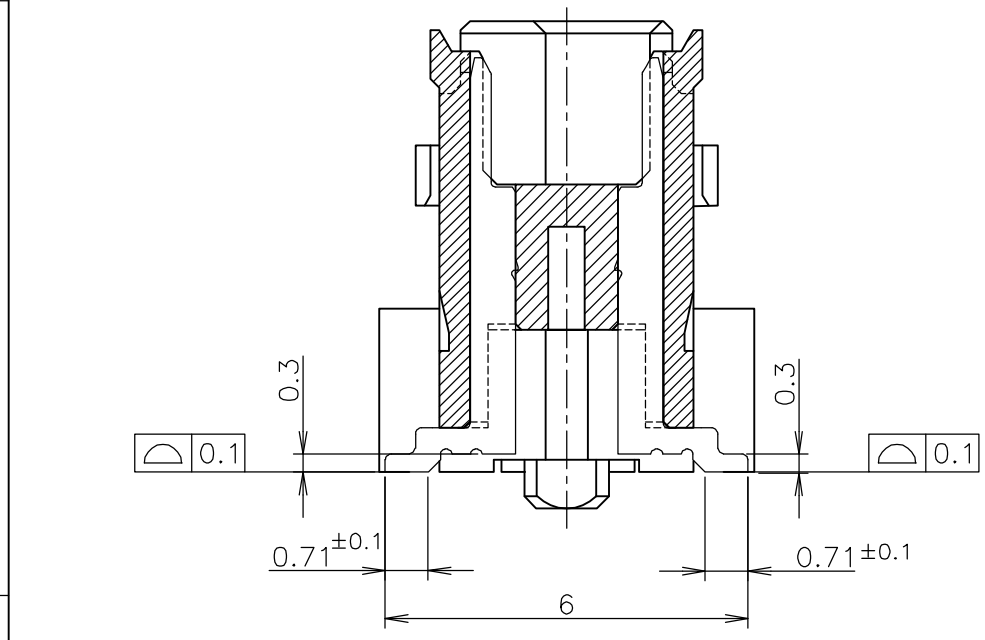
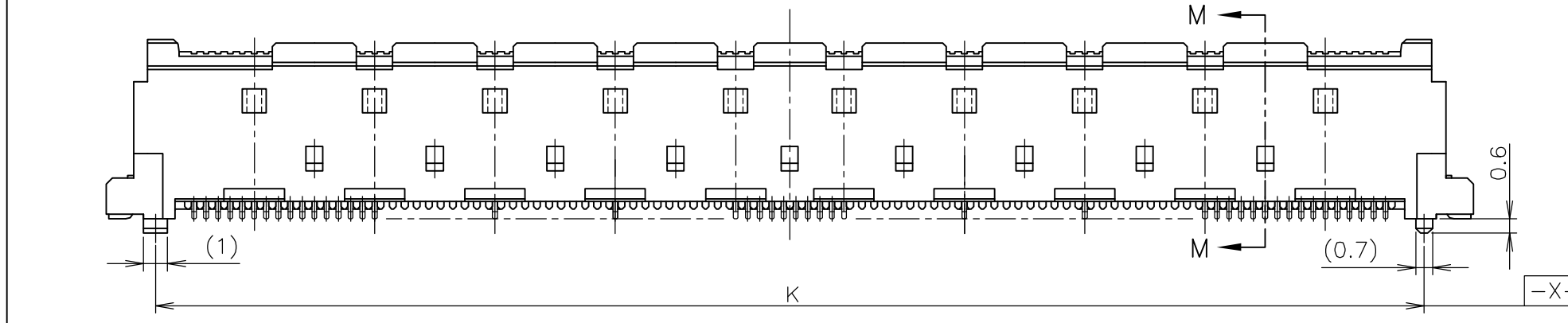
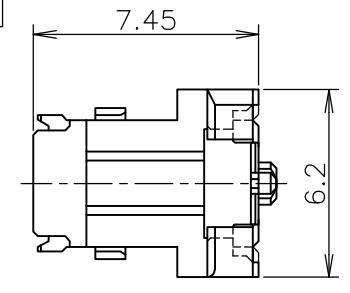
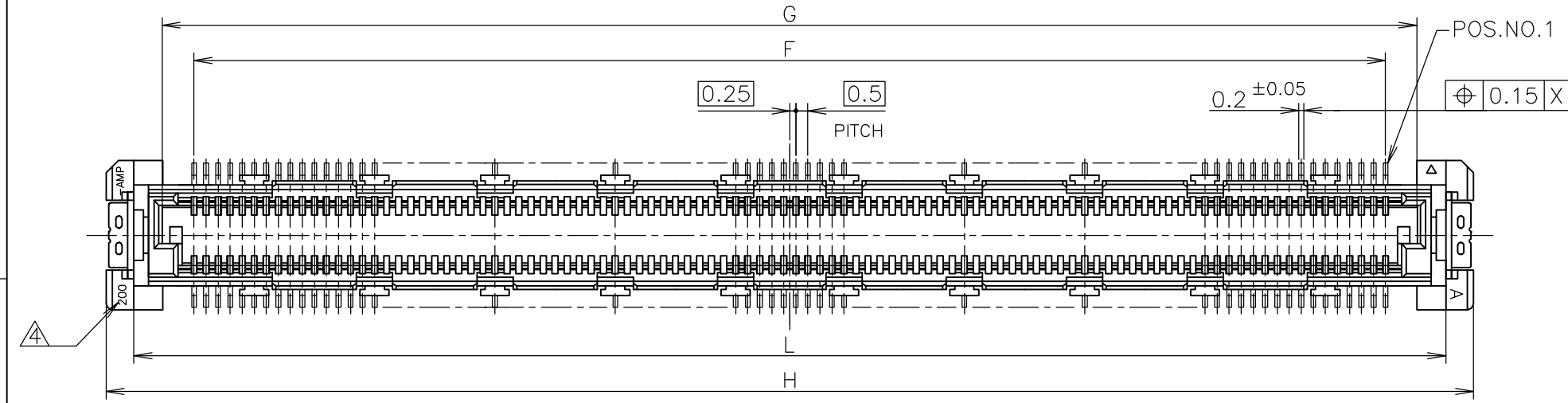
21.4	20.5	240
18.9	↑	220
16.4		200
13.9		180
12.65		170
11.4		160
10.15		150
8.9	↓	140
6.4	20.5	120
8.9	10.5	100
7.65	↑	90
6.4	↓	80
5.15		70
3.9	10.5	60
3.9	8	50
1.4	10.5	40
1.4	8	30
R	P	POS.

- △ MATERIAL;
HOUSING: HIGH TEMP THERMO PLASTIC UL94V-0
CONTACT: COPPER ALLOY
- △ FINISH;
SIGNAL CONTACT: UNDER PL Ni 0.0013mm MIN ALL OVER.
CONTACT AREA 0.0002mm MIN Au PL.
SOLDERING AREA 0.001mm MIN TIN PL.
SOLDER PEG: 0.001mm MIN TIN PL. OVER 0.0013mm MIN Ni PL ALL OVER.
- ③ THIS PRODUCT WAS COATED BY ANTI-FLUX-PENETRATION AGENT.
- ④ NO. OF CIRCUIT (DEPEND ON CONNECTOR POS).

THIS DRAWING IS A CONTROLLED DOCUMENT.		DWN	Tyco Electronics AMP K.K. Kawasaki, Japan	
DIMENSIONS: 単位: 耗 mm		CHK		
TOLERANCES UNLESS OTHERWISE SPECIFIED: 一般公差		APVD	NAME 名称	
0 PLC ±		PRODUCT SPEC 製品規格	SEMI HARD TRAY ASSY	
1 PLC ±		APPLICATION SPEC 取付適用規格	FH 0.5BTB CONNECTOR	
2 PLC ±		WEIGHT	PLUG 8H WITHOUT G-PLATE, ON CAP	
3 PLC ±		CUSTOMER DRAWING	SIZE	RESTRICTED TO
4 PLC ±			CAGE CODE	
ANGLES ±		DRAWING NO	DRAWING NO	
FINISH 仕上		SCALE 尺度 4:1	DRAWING NO	
		SHEET 2 OF 5	DRAWING NO	
		REV A1	DRAWING NO	

THIS DRAWING IS UNPUBLISHED. RELEASED FOR PUBLICATION OCT. 2006.
 © COPYRIGHT 2006 BY TYCO ELECTRONICS CORPORATION. ALL RIGHTS RESERVED.

LOC J	DIST /	REVISIONS 変更		
P	LTR	DESCRIPTION	DATE	DWN
		SEE SHEET 1	-	-



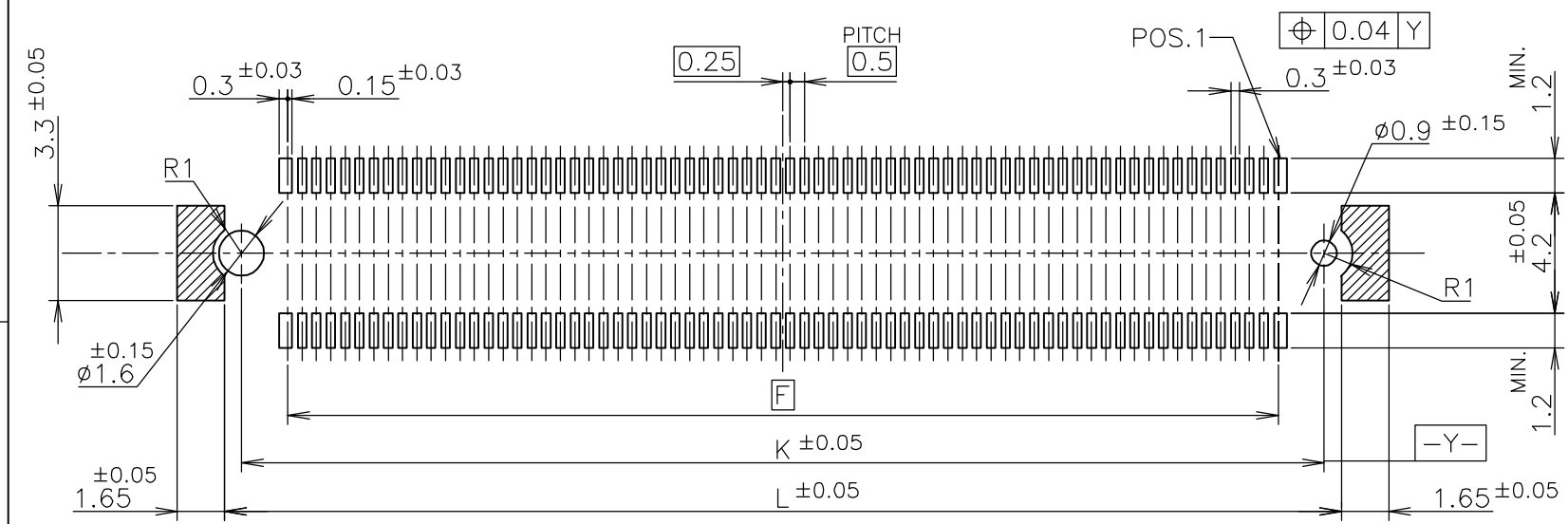
M-M
(SIGNAL POSITION)
(SCALE 8:1)

64.5	62.7	66.8	62.1	59.5	240
59.5	57.7	61.8	57.1	54.5	220
54.5	52.7	56.8	52.1	49.5	200
49.5	47.7	51.8	47.1	44.5	180
47	45.2	49.3	44.6	42	170
44.5	42.7	46.8	42.1	39.5	160
42	40.2	44.3	39.6	37	150
39.5	37.7	41.8	37.1	34.5	140
34.5	32.7	36.8	32.1	29.5	120
29.5	27.7	31.8	27.1	24.5	100
27	25.2	29.3	24.6	22	90
24.5	22.7	26.8	22.1	19.5	80
22	20.2	24.3	19.6	17	70
19.5	17.7	21.8	17.1	14.5	60
17	15.2	19.3	14.6	12	50
14.5	12.7	16.8	12.1	9.5	40
12	10.2	14.3	9.6	7	30
L	K	H	G	F	POS.

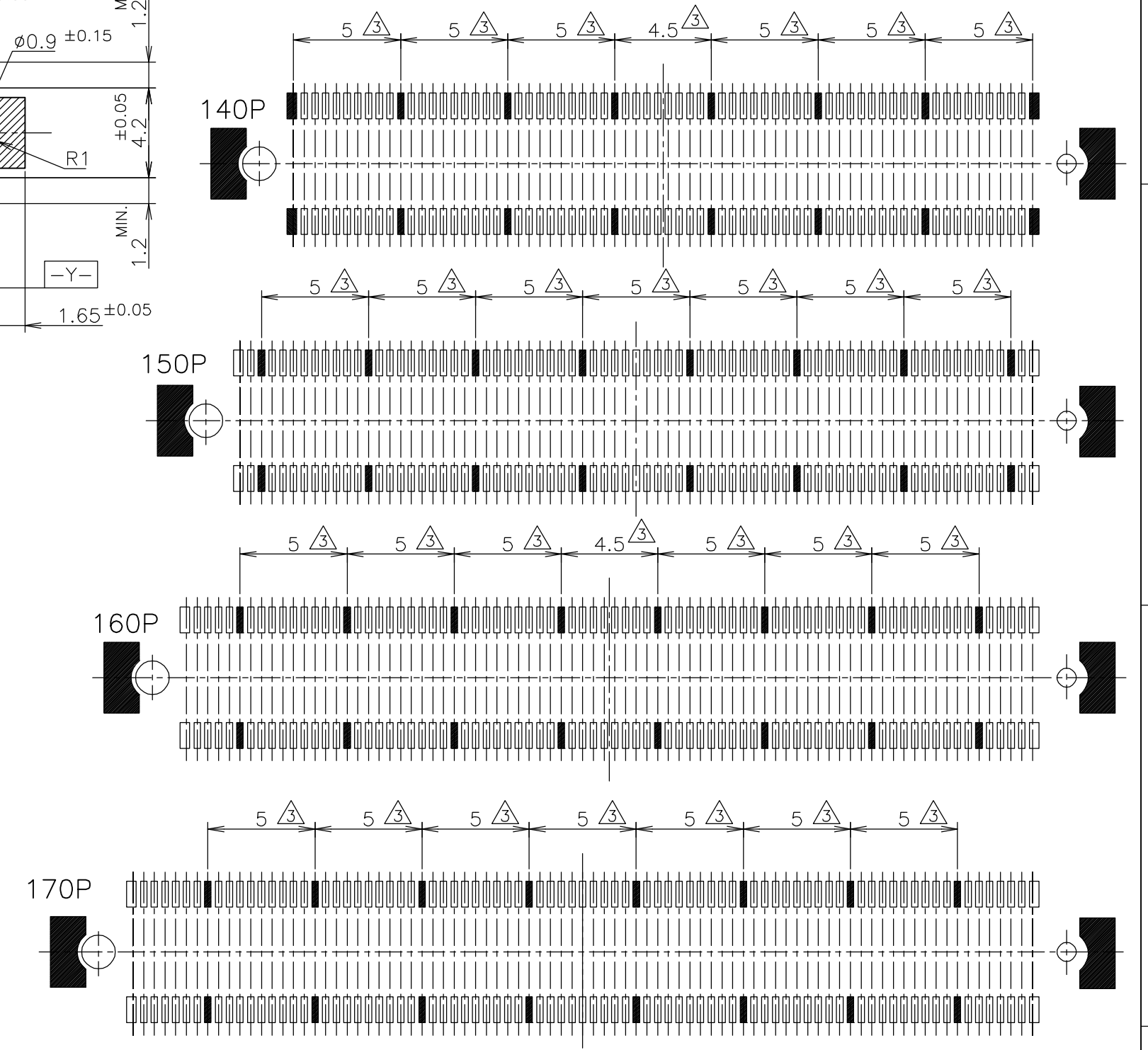
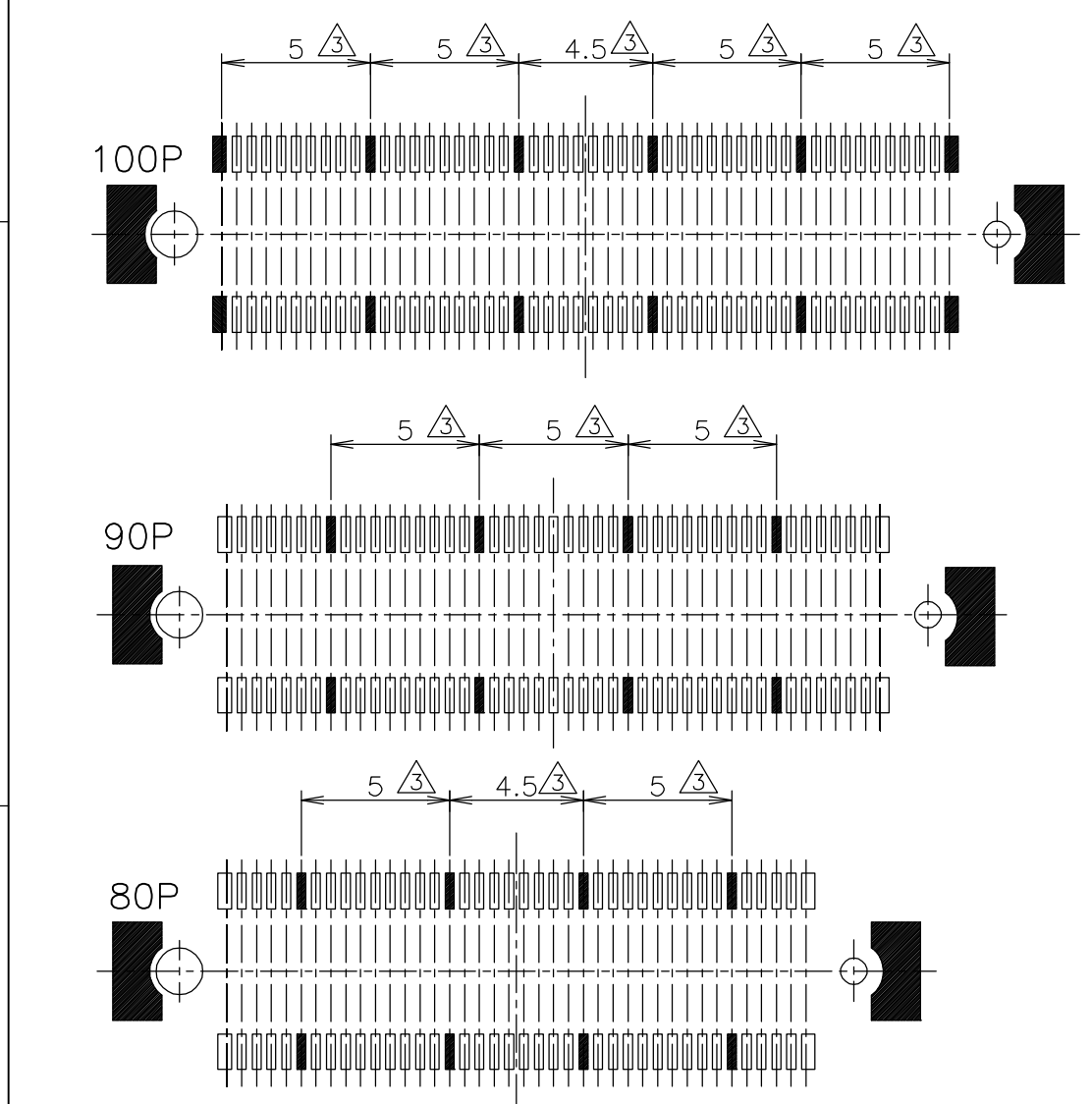
THIS DRAWING IS A CONTROLLED DOCUMENT.		DWN	Tyco Electronics AMP K.K. Kawasaki, Japan		
DIMENSIONS: 単位: 耗 mm		CHK			
TOLERANCES UNLESS OTHERWISE SPECIFIED: 一般公差		APVD	NAME 名称		
0 PLC ±		PRODUCT SPEC 製品規格	SEMI HARD TRAY ASSY		
1 PLC ±		APPLICATION SPEC 取付適用規格	FH 0.5BTB CONNECTOR		
2 PLC ±		WEIGHT	SIZE	CAGE CODE	DRAWING NO 番号
3 PLC ±		CUSTOMER DRAWING	A3	00779	C-1981052
4 PLC ±			SCALE 尺度	SHEET	REV
ANGLES ±		4:1	3 OF 5	A1	
FINISH 仕上					

THIS DRAWING IS UNPUBLISHED. RELEASED FOR PUBLICATION OCT., 2006.
 © COPYRIGHT 2006 BY TYCO ELECTRONICS CORPORATION. ALL RIGHTS RESERVED.

LOC	DIST	REVISIONS			DATE	DWN	APVD
		P	LTR	DESCRIPTION			
J	/			SEE SHEET 1	-	-	-



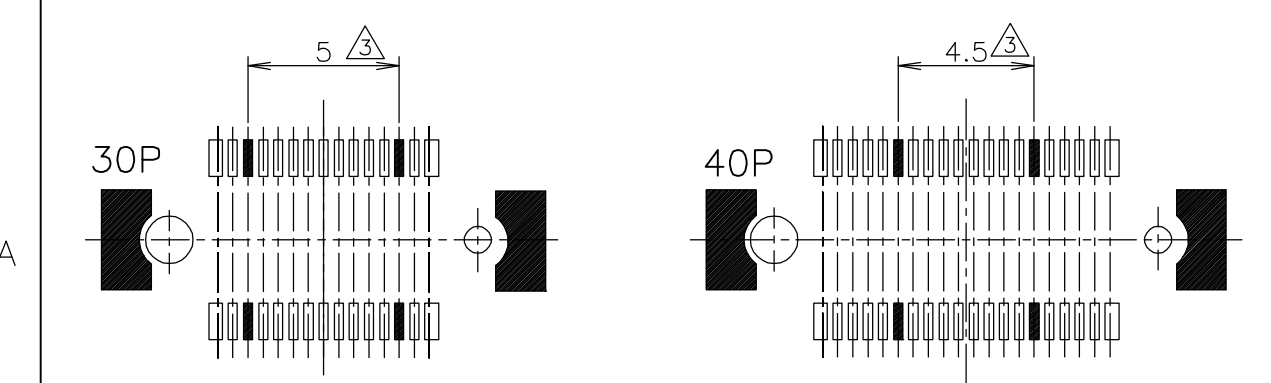
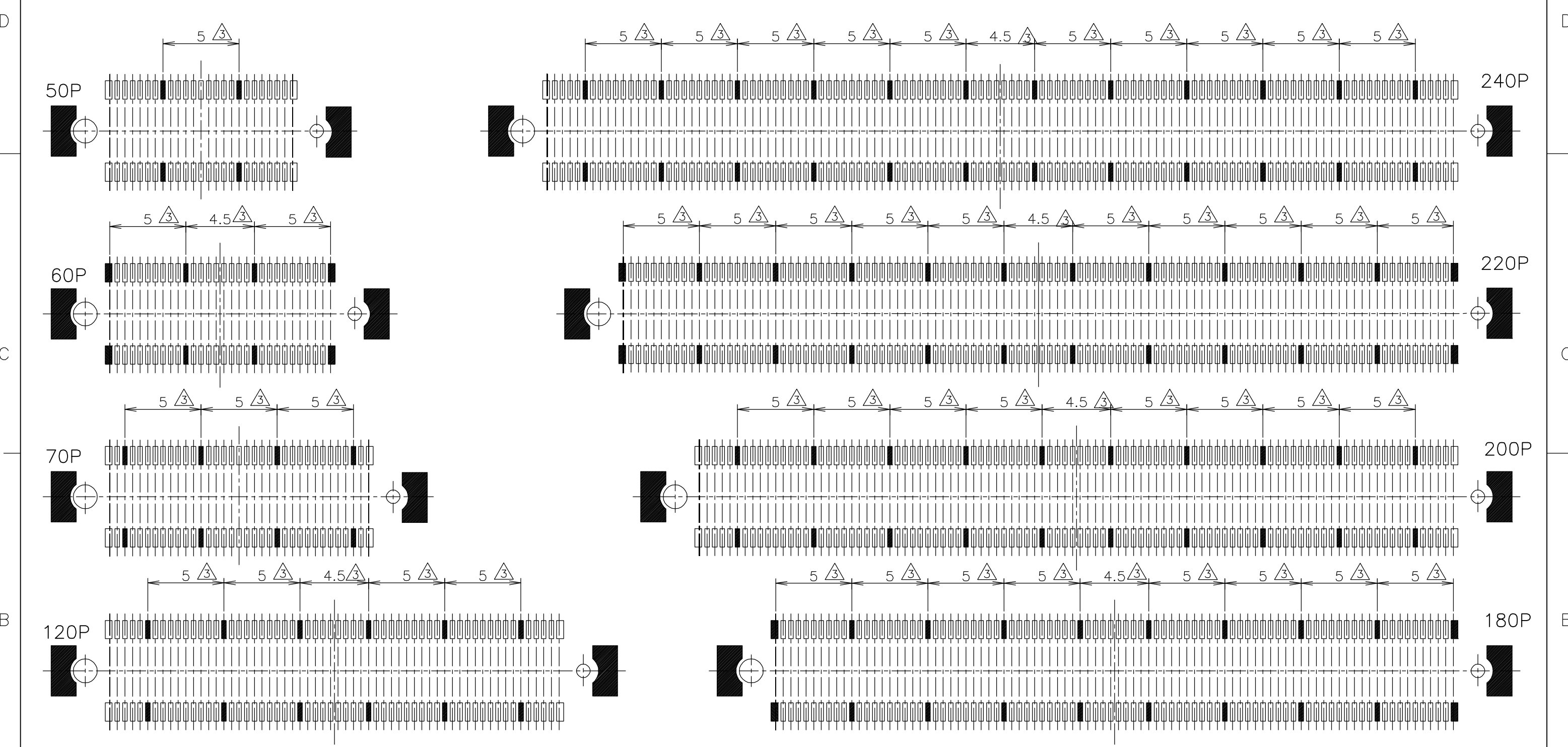
REFERENCE P.C. BOARD LAYOUT



THIS DRAWING IS A CONTROLLED DOCUMENT.		DWN	tyco Tyco Electronics AMP K.K.	
DIMENSIONS: 単位: 耗 mm		CHK	Kawasaki, Japan	
TOLERANCES UNLESS OTHERWISE SPECIFIED: 一般公差		APVD	NAME 名称	
0 PLC ±		PRODUCT SPEC 製品規格	SEMI HARD TRAY ASSY	
1 PLC ±		APPLICATION SPEC 取付適用規格	FH 0.5BTB CONNECTOR	
2 PLC ±		WEIGHT	PLUG 8H WITHOUT G-PLATE, ON CAP	
3 PLC ±		CUSTOMER DRAWING	SIZE	RESTRICTED TO
4 PLC ±			A3	-
ANGLES ±		CAGE CODE	DRAWING NO	SCALE 尺度 4:1
FINISH 仕上		00779	G-1981052	SHEET 4 OF 5
MATERIAL 材料		REV		A1

THIS DRAWING IS UNPUBLISHED. RELEASED FOR PUBLICATION OCT. 2006.
 © COPYRIGHT 2006 BY TYCO ELECTRONICS CORPORATION. ALL RIGHTS RESERVED.

LOC J	DIST /	REVISIONS 変更			DATE	DWN	APVD
P	LTR	DESCRIPTION					
		SEE SHEET 1					



THIS DRAWING IS A CONTROLLED DOCUMENT.		DWN	Tyco Electronics AMP K.K. Kawasaki, Japan	
DIMENSIONS: 単位: 耗 mm		CHK	NAME 名称	
TOLERANCES UNLESS OTHERWISE SPECIFIED: 一般公差		APVD	SEMI HARD TRAY ASSY FH 0.5BTB CONNECTOR PLUG 8H WITHOUT G-PLATE, ON CAP	
0 PLC ± 1 PLC ± 2 PLC ± 3 PLC ± 4 PLC ± ANGLES ± FINISH 仕上		PRODUCT SPEC 製品規格	SIZE	CAGE CODE
MATERIAL 材料		APPLICATION SPEC 取付適用規格	A3	00779
		WEIGHT	DRAWING NO 番号	RESTRICTED TO
		CUSTOMER DRAWING	G-1981052	
		SCALE 尺度	SHEET	REV
		4:1	5 of 5	A1