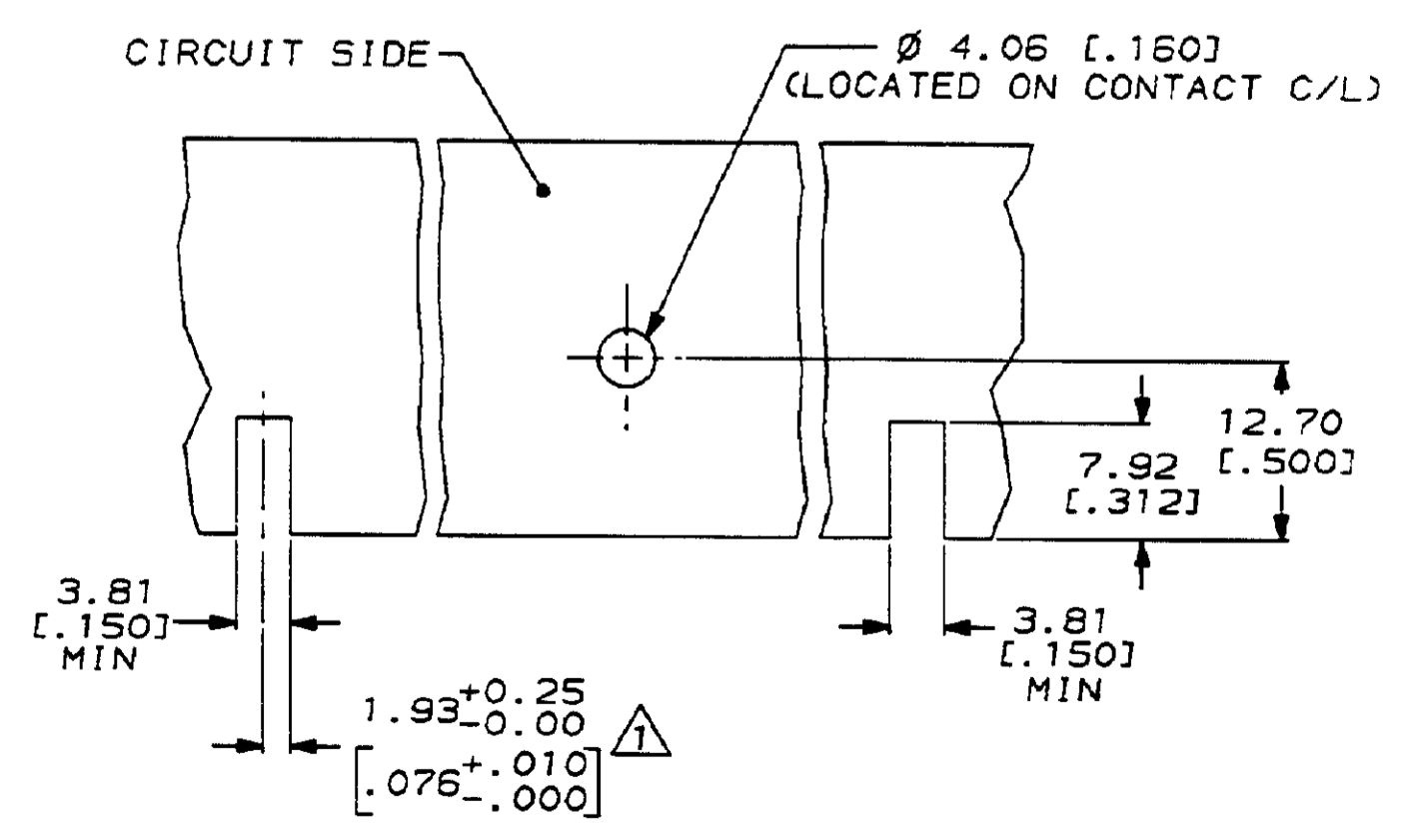
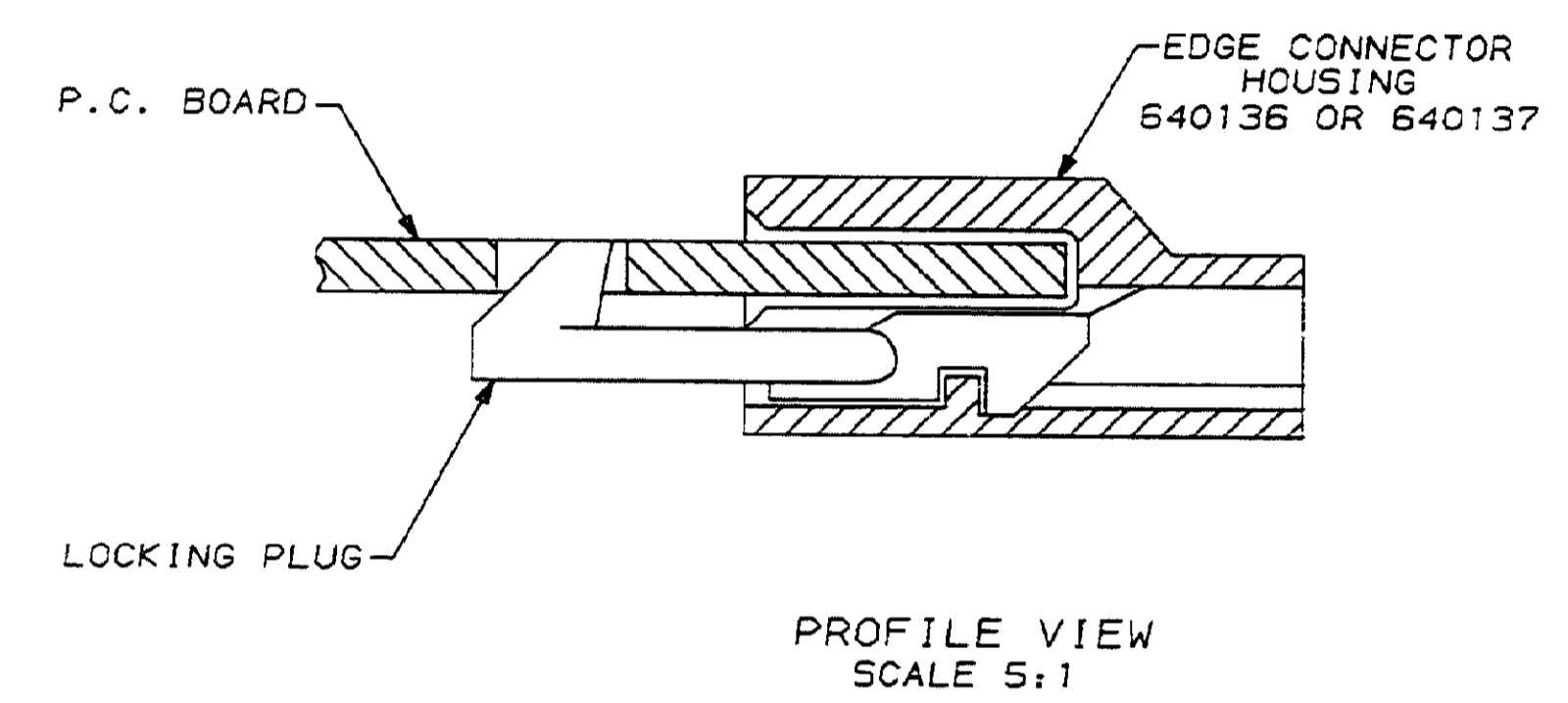
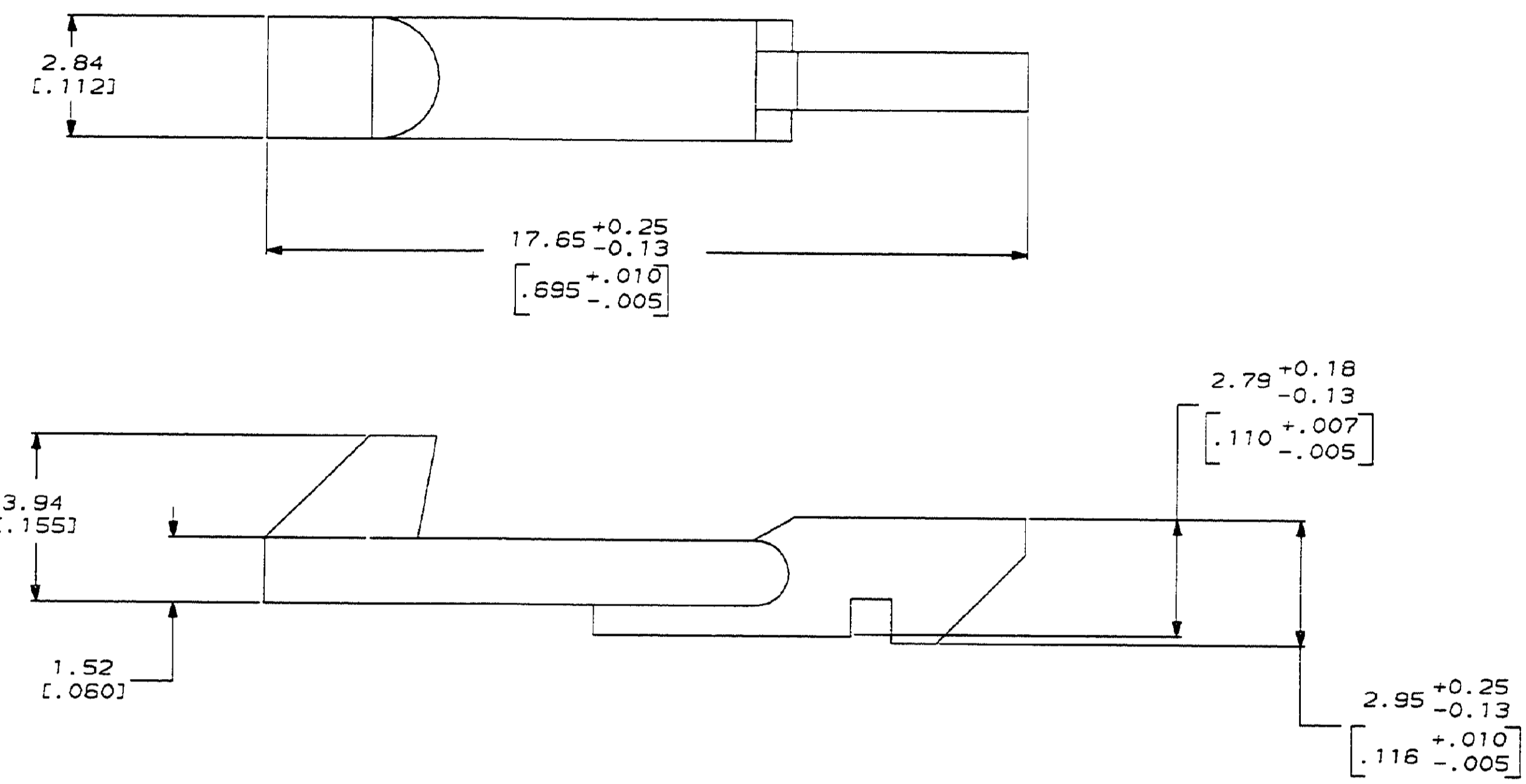


LOC		DIST		ZONE		LTR		REVISIONS		DATE	APPD
CM	52							G	REDRAWN & REVISED PER ECN CM-11	11-21-91	RS

△ RECOMMENDED CUTOUT FOR HOUSING POLARIZATION.  
 2. DIMENSIONS IN BRACKETS ARE IN INCHES.



RECOMMENDED LAYOUT FOR P.C. BOARD  
SCALE 2:1

**METRIC**

640179-1  
PART NUMBER

DO NOT SCALE PRINT. UNLESS SPECIFIED DIMENSIONS IN INCHES TOLERANCES ON: 2 PLC DEC ± 3 PLC DEC ± 0.13 [0.005] ANGLES ±		DR 11-21-91 K. SALMON	PART NO	
MATERIAL NYLON, 94V-2 (NATURAL)		CHK 11-21-91 R. SWING	AMP   AMP INCORPORATED Newburgh, N.Y. 17108	
FINISH		APPD 4-24-92 W. LONG	NAME LOCKING PLUG, P.C. CONNECTOR, BIFURCATED LEAF	
APPLICATION SPEC		APPD 4-24-92 W. LONG	SIZE <b>D</b>	FSCN NO 00779
WEIGHT		PRODUCT SPEC	DRAWING NO 640179	SHEET 1 OF 1
			SCALE 10:1	CUSTOMER DRAWING

AMP BUSINESS GROUP 3323 177-34 KTH SALMON