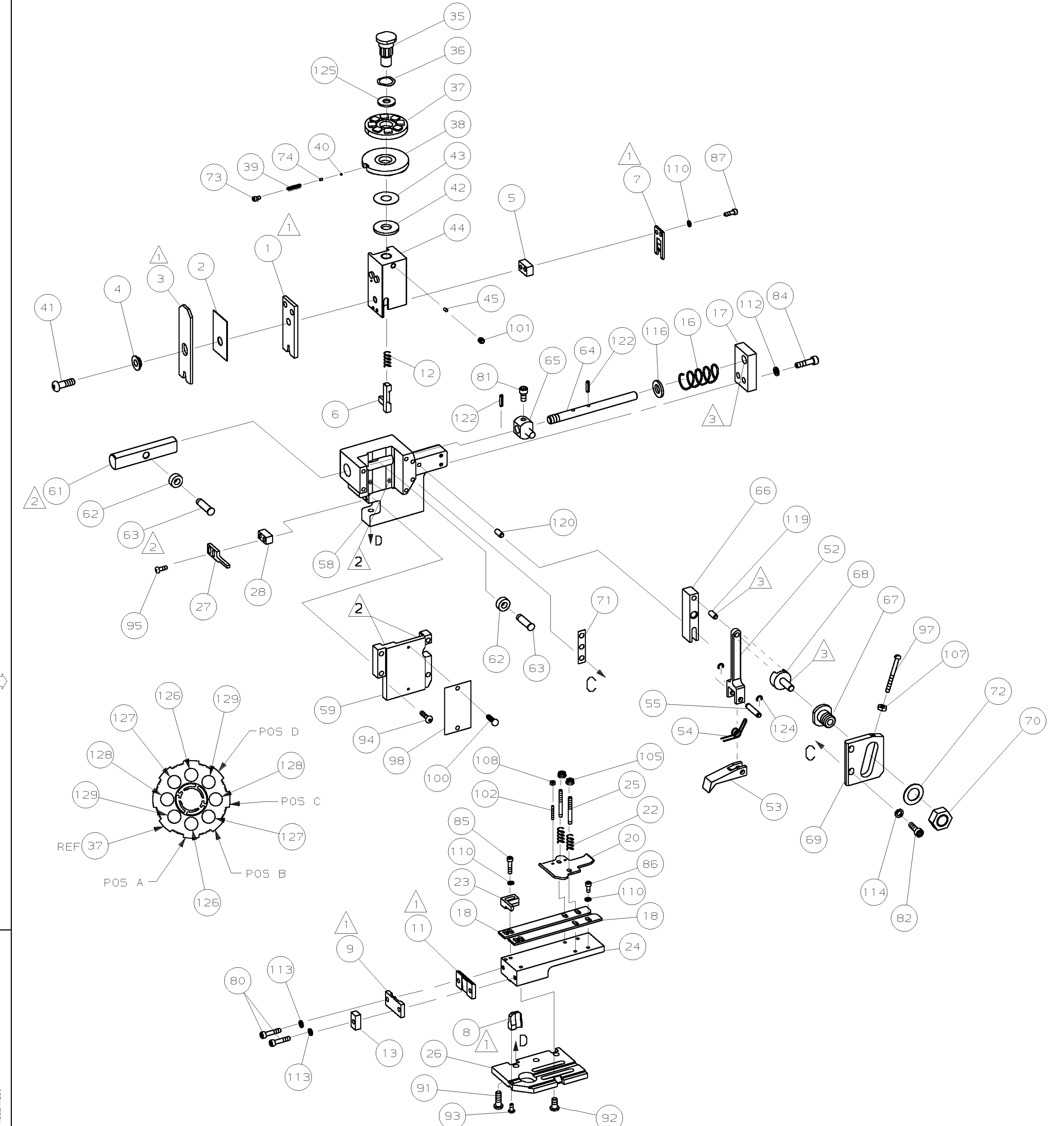


PART NUMBER	REV	FIRST USED
687944-5	B	854400-1

TERMINAL NAME:		CRIMPING DATA			
.312 FASTON™ RECEPTACLE		PAD LTR	CRIMP HEIGHT	WIRE SIZE	
	42663	A	.083 ±.002	12	
	61399	B	.076 ±.002	(2) 16	
	63225	C	.071 ±.002	14	
	63677	D	.063 ±.002	16	
		CRIMP	SIZE	TYPE	RANGE
	FOREIGN	WIRE	.130	F	16-12
	160251	INSUL	.250	F	.160 MAX
	160428	FEED	.966	APPL INST	SET UP GAGE
				458638-1	LAYOUT
					200
TERM	APPL	SPEC	WIRE STRIP LENGTH		
			-		

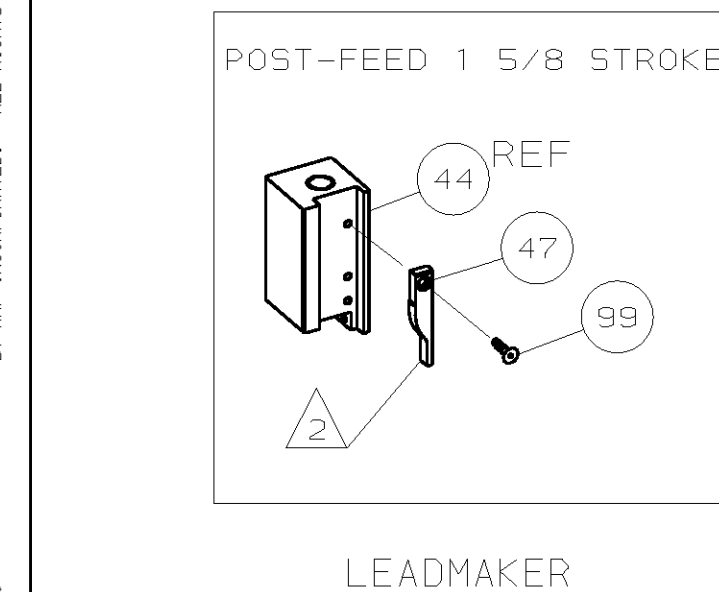
REF	QTY	REV	PART NO	DESCRIPTION	ITEM NO
REF	-	A	22594-8	NUT, HEX	70
REF	-	B	240628-1	PLATE, ADJ	69
REF	-	B	240626-1	SHAFT, PIVOT	68
REF	-	B	240633-1	BUSHING	67
REF	-	A	455680-1	LEVER, INTERMEDIATE	66
REF	-	B	240629-1	BLOCK, PIVOT	65
REF	-	A	240632-2	SCR, ADJ	64
REF	-	B	240659-3	PIN, CAM ROLLER	63
REF	-	B	240658-1	CAM, ROLLER	62
REF	-	B	454398-1	ROD, FEED	61
					60
REF	-	C	454220-1	CAP, RAM	59
REF	-	D	453736-1	HOUSING	58
					57
					56
REF	-	B	240624-1	PIN, FEED FINGER	55
REF	-	B	691499-1	SPRING, FEED FINGER	54
REF	-	B	240635-1	FINGER, FEED	53
REF	-	B	240634-3	LEVER, TERMINAL	52
					51
					50
					49
					48
1	-	B	690501-4	CAM, POST FEED 1 5/8 ST	47
					46
1	-	A	690191-1	PLUG, NYLON	45
1	-	C	455674-1	RAM	44
1	-	A	690125-1	WASHER, LAMINATED	43
1	-	A	690124-1	WASHER, RAM	42
1	-	A	7-21002-9	BOLT, CRIMPER (5/16-24x1.00)	41
1	-	A	23241-6	BALL, STEEL	40
1	-	A	690170-1	SPRING, COMPRESSION	39
1	-	C	690142-1	DISC, INSULATION	38
1	-	D	354777-1	WIRE DISC, PLASTIC	37
1	-	A	22480-5	WASHER, SPRING	36
1	-	B	690212-1	POST, RAM	35
					34
					33
1	-	D	458980-2	APPLICATOR, BASIC (SUB ASSY)	32
					31
					30
					29
1	-	B	3-690451-2	SPACER, STRIPPER	28
1	-	A	240639-1	STRIPPER	27
REF	-	C	455676-1	PLATE, BASE	26
2	-	A	22354-8	DRAG, STUD	25
1	-	B	458803-2	PLATE, STRIP GUIDE	24
1	-	C	240825-3	PLATE, STRIP HOLD DOWN	23
2	-	A	4-22281-1	SPRING, DRAG	22
					21
1	-	A	454177-1	DRAG, STOCK	20
					19
2	-	C	454204-3	GUIDE, STRIP (FRONT)	18
REF	-	A	454178-1	GUIDE, FEED ROD	17
REF	-	A	4-22284-9	SPRING, FEED RETURN	16
					15
					14
1	-	C	690481-2	SPACER, HOLD DOWN	13
1	-	A	23846-1	SPRING, HOLD DOWN	12
1	-	B	240833-4	PLATE, REAR SHEAR	11
					10
1	-	B	690495-3	PLATE, FRONT SHEAR	9
1	-	D	8-683452-9	ANVIL	8
1	-	B	2-690474-7	BLADE, SLUG	7
1	-	D	2-455892-7	HOLD DOWN, TERMINAL	6
1	-	C	2-240641-5	SPACER, SLUG BLADE	5
1	-	B	238009-2	SPACER, BLOCK CRIMPER	4
1	-	C	2-456134-4	CRIMPER, INSULATION	3
1	-	B	455888-4	SPACER, CRIMPER	2
1	-	C	456410-3	CRIMPER, WIRE	1



- ① RECOMMENDED SPARE PARTS.
- ② GREASE LIGHTLY.
- ③ LUBRICATE DAILY USING NO. 20 MACHINE OIL.
- 4. ITEMS WITH QTY OF REF SPECIFIED ARE USED ON ITEM 32.

QTY	REV	PART NO	DESCRIPTION	ITEM NO	
2	-	C	9-354778-5	PIN, WIRE DISC (.2970) D	129
2	-	C	7-354778-9	PIN, WIRE DISC (.2890) C	128
2	-	C	6-354778-9	PIN, WIRE DISC (.2840) B	127
2	-	C	5-354778-5	PIN, WIRE DISC (.2770) A	126
1	-	A	986950-1	WASHER, FLAT PRECISION	125
REF	-	A	21045-3	RING, RET "C" (Ø.187) FD PIN	124
					123
REF	-	A	5-21028-1	PIN, STD SPRING (Ø.12) FD ADJ ROD	122
					121
REF	-	A	1-21030-7	PIN, DOWEL (Ø.187x1.50) H56	120
REF	-	A	1-21030-1	PIN, DOWEL (Ø.187x.50) LEVER	119
					118
					117
REF	-	A	21899-4	WASHER, FLAT (Ø5/16) SCR ADJ	116
					115
REF	-	A	21024-5	WASHER, LOCK (NO.10) FD ADJ PL	114
2	-	A	21024-5	WASHER, LOCK (NO.10) SHEAR PL	113
REF	-	A	21024-5	WASHER, LOCK (NO.10) FD ROD GDE	112
					111
7	-	A	21024-4	WASHER, LOCK (NO.8) SHEAR BL	110
					109
2	-	A	21018-4	NUT, HEX (4-40) DRAG	108
REF	-	A	21018-5	NUT, HEX (6-32) FD ADJ PL	107
					106
2	-	A	21022-2	NUT, HEX SL (8-32) DRAG STUD	105
					104
					103
2	-	A	2-21006-6	SCR, SKT SET (4-40x.62) DRAG	102
1	-	A	21009-2	SCR, SKT SET (1/4-20x.25) RAM	101
2	-	A	21017-2	SCR, DRIVE (#2x.19) ID PLATE	100
1	-	A	1-21002-7	SCR, BHC (6-32x.38) CAM	99
1	-	B	461264-1	PLATE, IDENTIFICATION	98
REF	-	A	6-23715-5	SCR, PAN HD (6-32x1.50) FEED ADJ	97
					96
2	-	A	2-21002-2	SCR, BHC (8-32x.50) STRIPPER	95
REF	-	A	2-21002-9	SCR, BHC (10-32x.75) H56 CAP	94
1	-	A	22733-8	SCR, BHC (8-32x.38 LW) ANVIL	93
4	-	A	3-21002-3	SCR, BHC (1/4-20x.50) ST 6D PL	92
REF	-	A	2-22733-8	SCR, BHC (1/4-20x.62) BASE PL	91
					90
					89
					88
2	-	A	2-21000-7	SCR, 5HC (8-32x.62) SLUG BLADE	87
3	-	A	2-21000-6	SCR, 5HC (8-32x.38) STRIP GUIDE	86
2	-	A	2-21000-9	SCR, 5HC (8-32x.75) R STRIP GUIDE	85
REF	-	A	3-21000-7	SCR, SKT CAP (10-32x.75) FD GDE	84
					83
REF	-	A	3-21000-6	SCR, SKT CAP (10-32x.62) FD ADJ P	82
REF	-	A	3-21000-4	SCR, SKT CAP (10-32x.38) PIVOT BL	81
2	-	A	3-21000-8	SCR, SKT CAP (10-32x.88) SH PL	80
					79
					78
					77
					76
					75
1	-	A	690603-1	SPRING, ASSIST	74
1	-	A	23030-1	SCR, SKT CAP (6-32x.25) CP DSC	73
REF	-	A	458109-1	WASHER, FLAT (SPECIAL)	72
REF	-	A	690517-1	SPACER	71

QTY	REV	PART NO	DESCRIPTION	ITEM NO	
-5	U/M	DWG SIZE	PART NO	DESCRIPTION	ITEM NO



LOC	A
DIST	66

DIMENSIONS IN INCHES. DO NOT SCALE PRINT. TOLERANCES UNLESS OTHERWISE SPECIFIED:		MATERIAL		HT TR		FIN	
1	PLC DEC ±	DR	12/22/94	APP	1-4-95		
2	PLC DEC ±	D. SALTZER		T. BEDDICK			
3	PLC DEC ±	CHK	1-4-95	REL	1/11/95		
4	PLC DEC ±	C. ERISMAN		B. MORGAN			
ANGLES ±		NAME		MACHINE REF		MINI APPL	
SURF TEXTURE: ✓		END FEED HDM APPLICATOR		AMP		AMP Incorporated Harrisburg, PA 17105-3608	
REMOVE BURRS, BREAK SHARP EDGES R.015 MAX		SCALE		DWG NO		SHEET 1 OF 1	
		D		687944-5		REV B	