

LAYOUT SHOWN AS EXAMPLE

Keying Shown as example

CHARACTERISTICS

- Standard : Based on MIL-DTL-38999 Series III
- Shell Material : Stainless Steel
- Shell Plating : Passivated
- Insulator : Thermoplastic
- Contacts : Copper Alloy
- Seals & Grommet : Silicon Elastomer
- Contact Plating : Gold over copper Alloy 0.8µm minimum
- Durability : 500 Mating cycles
- Delivered with Souriau contacts and Accessories
- Temperature Range : -65°C to +200°C
- Salt Spray : 500 hours
- Mass : 78.91 g ± 10%

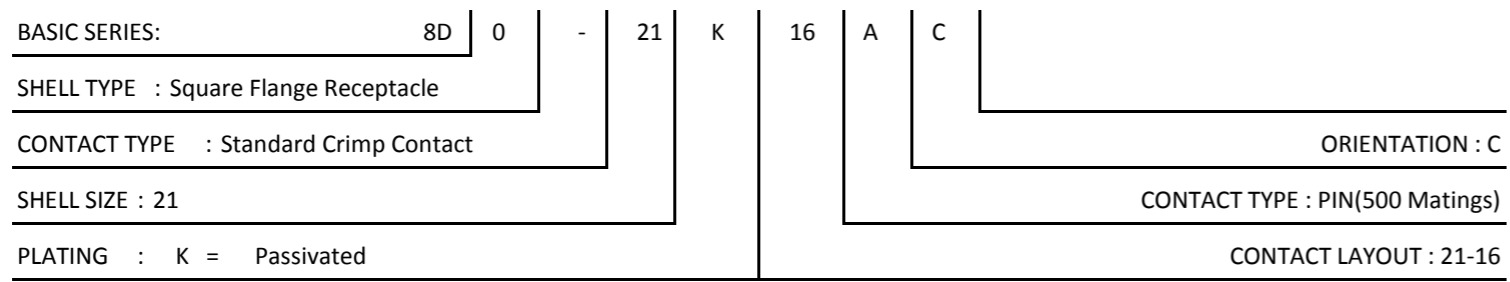
| Connector dimension | |
|---------------------|---------------|
| Dim | Nominal |
| P | 3.25±0.2 |
| PP | 4.93±0.2 |
| R1 | 31.75 |
| R2 | 29.36 |
| S | 39.7±0.3 |
| V | 20.07+0/-1.25 |
| W | 2.1/3.2 |
| Z | 31.5 Max |
| VV THREAD | M31x1-6g |

SOURIAU shall not be liable for any non-conformity or damage due to a use of the Products which does not comply with the Specifications issued by either of the Parties or by a third party (professional recommendation, technical notice.)

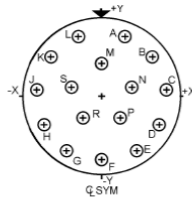
| | |
|---------|-----------------------------|
| Country | Jurisdiction & Control List |
| FR | Not Listed |

PN: 8D021K16AC

| | | | |
|----------------|---|--------------------------------|---|
| A | 03-11-2016 | First Release | |
| ISS | DATE | Latest modification - by | MOD N° |
| Designed By: | | Date: | CUSTOMER DRAWING |
| TITLE | Stainless Steel Receptacle 8D series | | |
| SCALE | NA | General linear Tolerances: ±-- | NPRDS / PROJECT 859 |
| SOURIAU | WWW.SOURIAU.COM | | This document is the property of SOURIAU it must not be reproduced or communicated without permission |
| FORMAT | A3 | | SOURIAU DRG N° 8D021K16AC-C |
| | | | SHEET 1/2 |



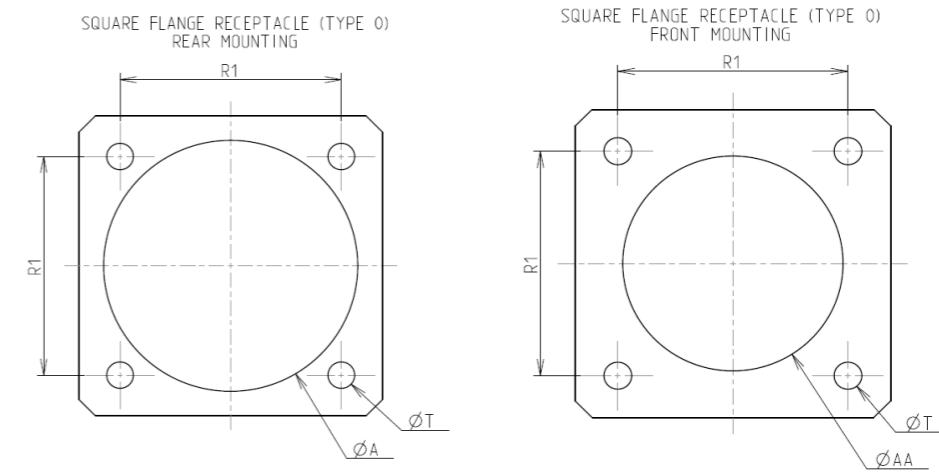
Contact Layout



| Contacts (Insert arrangement 21-16) | | | | | |
|--|-------------|-------------|---------------------|-------------|-------------|
| Contact position ID | Location | | Contact position ID | Location | |
| | X-axis | Y-axis | | X-axis | Y-axis |
| A | +118 (3.00) | +322 (8.18) | J | -341 (8.66) | +036 (0.91) |
| B | +271 (6.88) | +211 (5.36) | K | -271 (6.88) | +211 (5.36) |
| C | +341 (8.66) | +036 (0.91) | L | -118 (3.00) | +322 (8.18) |
| D | +308 (7.82) | -150 (3.81) | M | +000 (0.00) | +175 (4.45) |
| E | +182 (4.62) | -290 (7.37) | N | +154 (3.91) | +062 (1.57) |
| F | +000 (0.00) | -343 (8.71) | P | +094 (2.39) | -122 (3.10) |
| G | -182 (4.62) | -290 (7.37) | R | -094 (2.39) | -122 (3.10) |
| H | -308 (7.82) | -150 (3.81) | S | -154 (3.91) | +062 (1.57) |

| Shell size | Arrangement no. | Number of contacts | Size contacts | Service rating | Contact location | Supersedes |
|------------|-----------------|--------------------|---------------|----------------|------------------|------------|
| 21 | -16 | 16 | 16 | II | All | MS20055-16 |

Panel Cutout



| Dim | Nominal |
|-----|------------|
| ØA | 36.12 min |
| ØAA | 32.16 min |
| R1 | 31.75 |
| ØT | 3.25 ±0.13 |

SOURIAU shall not be liable for any non-conformity or damage due to a use of the Products which does not comply with the Specifications issued by either of the Parties or by a third party (professional recommendation, technical notice.)

| Country | Jurisdiction & Control List |
|---------|-----------------------------|
| FR | Not Listed |

PN: 8D021K16AC

| | | | |
|----------------|---|----------------------------|---|
| A | 03-11-2016 | First Release | |
| ISS | DATE | Latest modification - by | MOD N° |
| Designed By: | | Date: | CUSTOMER DRAWING |
| TITLE | Stainless Steel Receptacle 8D series | | |
| SCALE | | General linear Tolerances: | NPRDS / PROJECT |
| NA | | ±-- | 859 |
| SOURIAU | WWW.SOURIAU.COM | | This document is the property of SOURIAU it must not be reproduced or communicated without permission |
| FORMAT | SOURIAU DRG N° 8D021K16AC-C | | SHEET 2/2 |