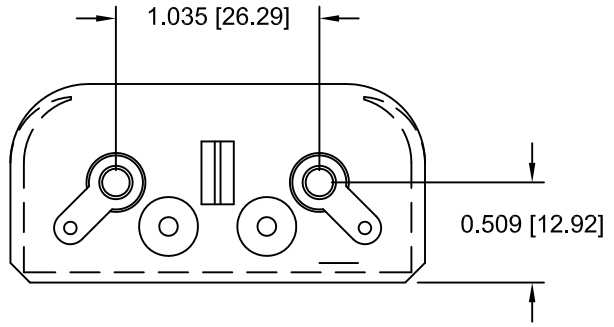
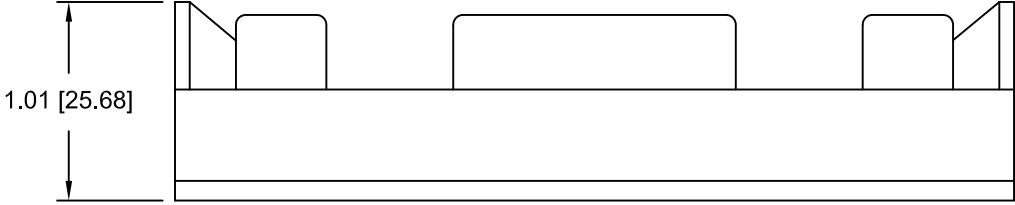
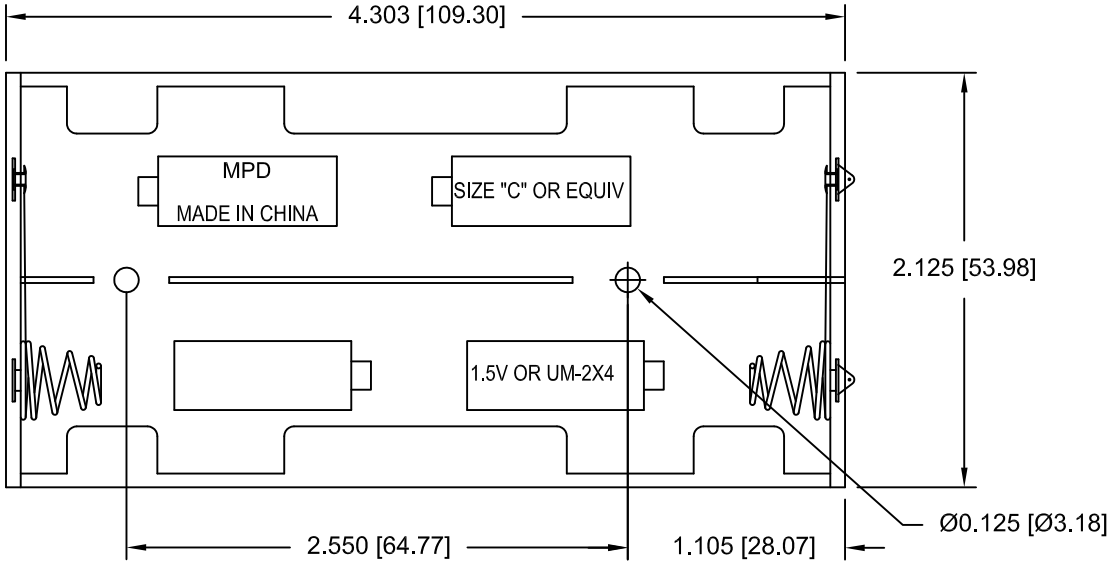



Date	SYM	REVISION RECORD	AUTH	DR.	CK.
3/07/08	D	DIM. 2.550 WAS 2.500 DIM. 1.105 WAS 1.143.	T.B.	B.S.	
11/16/12	E	RE-DRAWN DIM. 4.268 WAS 4.303	T.B.	B.S.	
8/06/14	F	UPDATED TO ROHS 2 COMPLIANT	T.B.	B.S.	
5/19/17	G	DIM.2.125 WAS 2.109 DIM. 3.18 WAS 3.17 DIM. 25.68 WAS 1.01	T.B.	B.S.	



**SPECIFICATIONS**

- Plastic material - Polypropylene
- Flammability Rating -UL94-HB, UL File NO. E216959
- Temperature Range: -10°C to +100°C
- Springs - Nickel Plated Spring Steel
- Rivets - Brass, Nickel Plated
- Solder Lugs: Steel, Nickel Plated
- Contact Resistance: Under 50mΩ FOR +/- Contacts per EIA-540J000
- ROHS 2 COMPLIANT

Tolerance (Except as noted)	 <b>Memory Protection Devices, Inc</b> 200 Broad Hollow Road, Farmingdale, New York 11735	Scale	Drawn By T.S.
			Approved By T.B.
decimal ±.020 (.5)	Title <b>FOUR "C" CELL HOLDER WITH SOLDER LUGS</b>	1=1	
Fractional ± .030 (.8)			
Angular ± 3°	Date 5/19/17	Drawing Number BH24CL	