

December 10th, 2020
 Document Management Number 8TEQJ-0221
 Sato Manabu
 Planning and Design Department Manager
 E&MC Business Division
 NIDEC COPAL ELECTRONICS CO., LTD.

Shape Change of the Tab Terminals due to the Update of the ENEC

Certification

Dear all

Best wishes and thank you for your continuous support.

We are writing to inform you that the shape of the tab terminals for the products listed below will be changed as follows.

Best regards

1. Influenced products

- High inrush rocker switches CF-LA: tab terminal #250 (style: Z2)

Influenced series: CF-LA-1AZ2-*C

CF-LA-1AZ2-*

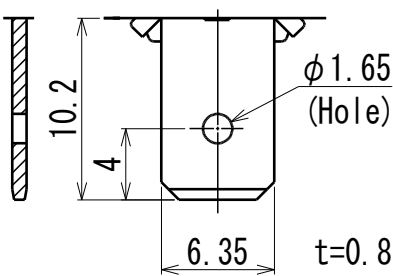
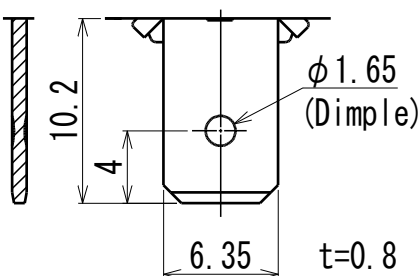
CF-LA-2KZ2-*C

CF-LA-2KZ2-*

※ The * mark in the product name stands for different markings on the rocker.

2. Details

The detent structure of tab terminal #250 will be changed as follows.

	Before change	After change
Standard	EN61058-1-2002 and A2	EN61058-1-1:2016 EN IEC61058-1:2018
Shape		

※ The ENEC mark will remain the same.

And there is no change in the shape of the PC terminals, PC-R/A terminals, PC-L/A terminals, and solder terminals.

Document Management Number 8TEQJ-0221

3. Reason for the change

When we started to update the ENEC certification for the CF-LA series in October 2020 due to its expiration in March 2021, the EN IEC61058-1:2018 was revised. And it is confirmed that the current tab terminal #250 is inappropriate. Thus we changed its detent structure from hole to dimple in order to apply for the ENEC certification on tab terminal #250.

4. Time to change

Switch by running change after we get the ENEC certification.

(The switching is expected to start from products made in March 2021, but please notice that the switching time may change depending on the order-receiving situation, production status, stocking state, etc.)

Moreover, considering that these products are sold to many customers, please understand that we cannot mark out the first article for every customer.

For inquiries regarding this matter, please contact our sales offices.

Approval and Signature Section	
【Date】	_____
【Company Name】	_____
【Department Name】	_____
【Person in charge】	_____

The end