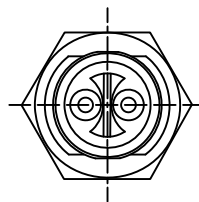
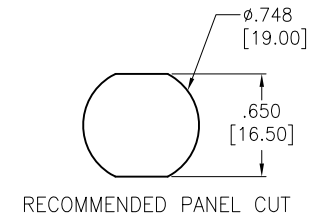
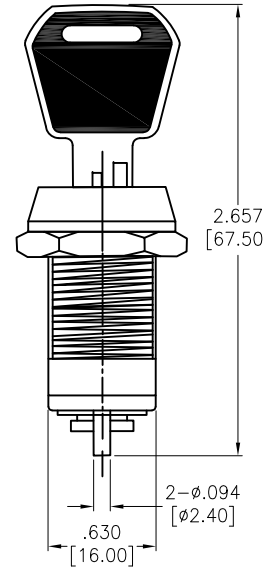
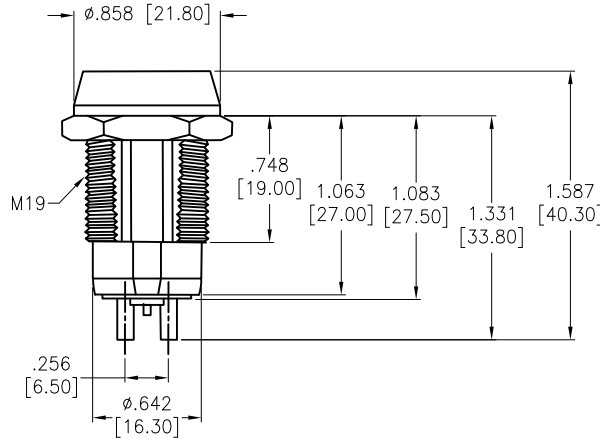
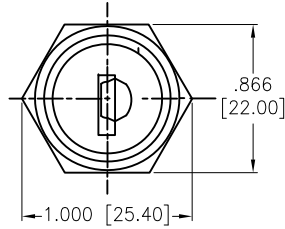


APPROVED: _____
 DATE: _____ TITLE: _____

Rev	AWO #	Description	Date	Appr
-		RELEASED	11/6/20	
A		UPDATE DRAWING.	5/11/21	JJ/RC
B		ADDED SPEC.	8/31/21	WX/RC
C		UPDATE SPEC.	5/27/22	WX/RC



FUNCTION
SP, ON-OFF

SPECIFICATIONS:

Material:
 Body: Steel, Polished Chrome, Silver plated
 Electrical:
 The rated load: 125 VAC, 4A
 250 VAC, 2A
 28 VDC, 4A

Contact resistance: 20 mΩ max
 Insulation resistance: 100 mΩ min (500VDC)
 Dielectric withstanding voltage: 1000 VAC for 1 minute
 Mechanical life: ≥10000 Cycles
 Temperature Rating:
 -20°C to +85°C
 Environmental:
 Lead free, RoHS compliant



ADAM-P/N	SPEC.
SW-R-K10-A	Key pulled on both positions. Note: this would be our standard
SW-R-K10-B	Key pulled on 1 position

UNLESS OTHERWISE SPECIFIED ALL DIMENSIONS ARE INCHES [MM]. TOLERANCES: EXCEPT AS NOTED		
INCHES		
.X ± .10	Ø.X ± .10	
.XX ± .020	Ø.XX ± .015	
.XXX ± .015	Ø.XXX ± .010	
DRAWN	OW	11/6/20
CHECKED	AC	11/6/20
APPROVED		

ADAM TECH 909 Rahway Avenue,
 Union, NJ 07083
 Phone: 908-687-5000
 Fax: 908-687-5710

TITLE SWITCH, KEY LOCK, 19MM, ON-OFF
 PANEL MOUNT, SOLDER TERMINAL

SIZE X	PART NO. SW-R-K10-X	REV. C
REF: S00206C	SCALE: NTS	SHEET 1 OF 1

THIS DRAWING CONTAINS INFORMATION THAT IS PROPRIETARY AND SHOULD NOT BE USED WITHOUT PRIOR WRITTEN PERMISSION FROM ADAM TECH