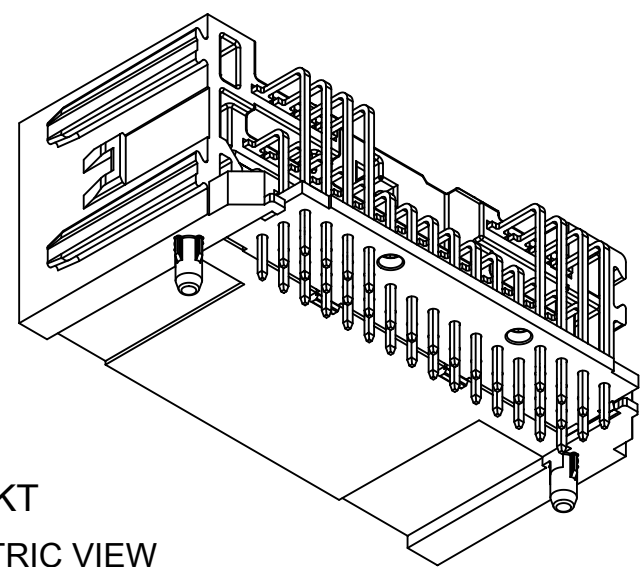
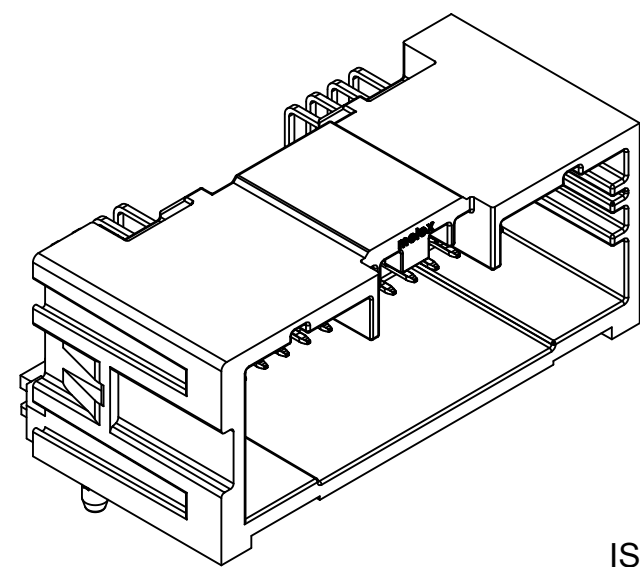
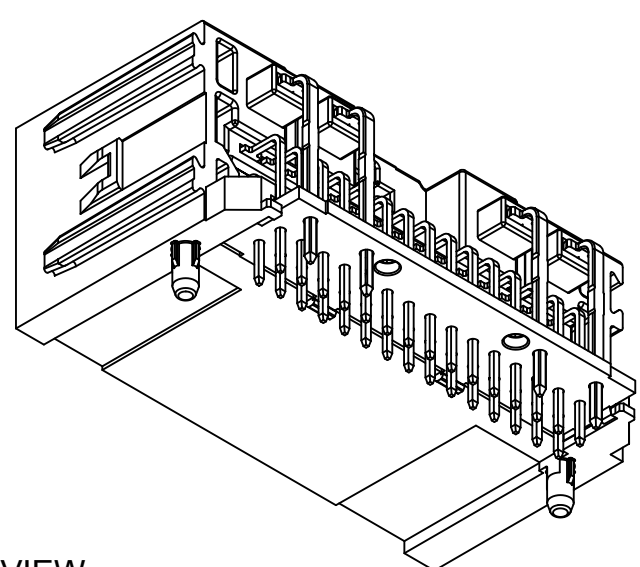
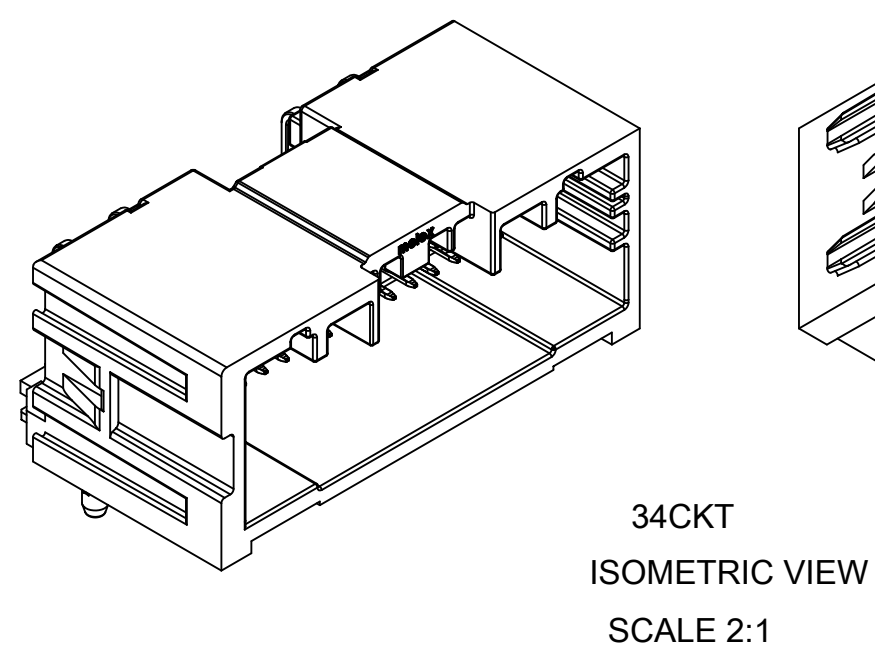


TABLE OF CONTENTS	
SHEET NO.	SHEET DESCRIPTION
1	NOTES, INSPECTION BALLOON NUMBER LOG, NOMINAL DIMENSION RANGE LIST, REV.COLUMN, HEADER ASSEMBLY LIST, ISOMETRIC VIEW
2	34&38CKT POLARIZATION OPTION VIEW, HB/V0 HEADER DIFFERENCE VIEW
3	DETAIL DIMENSION VIEW
4	DETAIL DIMENSION VIEW
5	REFERENCE PCB LAYOUT



MINI50 34/38CKT RIGHT ANGLE HEADER ASSEMBLY LIST

MATERIAL NUMBER			CKT SIZE	FLAMMABILITY UL94	POLARIZATION	COLOR	STATUS
TRAY PACKAGING PK-31302-070	TUBE PACKAGING PK-31301-688	TAPE AND REEL PK-47799-0001					
34961-0340	34961-7340	34961-8340	34	HB	A	BLACK	SALEABLE
34961-0341	34961-7341	34961-8341	34	HB	B	GREY	SALEABLE
34961-0342	34961-7342	34961-8342	34	HB	C	DK GREY	SALEABLE
34961-0380	34961-7380	34961-8380	38	HB	A	BLACK	OBSOLETE
34961-0381	34961-7381	34961-8381	38	HB	B	GREY	OBSOLETE
34961-0382	34961-7382	34961-8382	38	HB	C	DK GREY	OBSOLETE
34961-0383	34961-7383	34961-8383	38	HB	UPDATED A	BLACK	SALEABLE
34961-0384	34961-7384	34961-8384	38	HB	UPDATED B	GREY	SALEABLE
34961-0385	34961-7385	34961-8385	38	HB	UPDATED C	DK GREY	SALEABLE
2133550340	2133557340	2133558340	34	V0	A	BLACK	SALEABLE
2133550341	2133557341	2133558341	34	V0	B	GREY	SALEABLE
2133550342	2133557342	2133558342	34	V0	C	DK GREY	SALEABLE
2133550380	2133557380	2133558380	38	V0	UPDATED A	BLACK	SALEABLE
2133550381	2133557381	2133558381	38	V0	UPDATED B	GREY	SALEABLE
2133550382	2133557382	2133558382	38	V0	UPDATED C	DK GREY	SALEABLE

DIN 16901	CODE LETTER	NOMINAL DIMENSION RANGE													
		OVER	0	1	3	6	10	15	22	30	40	53	70	90	120
		UP TO	1	3	6	10	15	22	30	40	53	70	90	120	160
PRECISION ENGINEERING	A	±0.10	±0.12	±0.14	±0.16	±0.20	±0.22	±0.24	±0.26	±0.28	±0.31	±0.35	±0.40	±0.50	
	B	±0.05	±0.06	±0.07	±0.08	±0.10	±0.12	±0.14	±0.16	±0.18	±0.21	±0.25	±0.30	±0.40	

A: FOR NON-MOLD RELATED DIMENSIONS (ACROSS PARTING LINE)
B: FOR MOLD RELATED DIMENSIONS (WITHIN MOLD COMPONENTS)

INSPECTION BALLOON NUMBER LOG
PER DRAWING REVISION: J3
LAST BALLOON NUMBER USED: 27
ADDED BALLOON NUMBERS: 3A
REMOVED BALLOON NUMBERS:

DOCUMENT STATUS	P1	RELEASE DATE	2021/05/20	02:13:32
-----------------	----	--------------	------------	----------

NOTES: VALID UNLESS OTHERWISE SPECIFIED

1. GENERAL:

a. CONNECTOR HEADER MUST BE VALIDATED TO THE FOLLOWING FUNCTIONAL REQUIREMENTS:

HB VALIDATION SPECIFICATION: GMW3191 JUNE 2012

V0 VALIDATION SPECIFICATION: USCAR-2 REV6

SOLDERABILITY: SMES-152

b. APPLICATION SPECIFICATION: AS-34959-001

TEST SUMMARY:

HB: TS-34959-001

V0: 2133550000-TS

PRODUCT SPECIFICATION:

HB: PS-34959-001

V0: 2133550000-PS

COSMETIC SPECIFICATION: PS-45499-002 Class B

GEOMETRIC TOLERANCING: SEE DIN 16901 TABLE

MATES WITH: SD-34959-030

PACKAGING SPECIFICATION: SEE TABLE.

③ 2. DESIGN: MATERIALS:

a. SHROUD (PLASTIC HOUSING):

HB RESIN - SPS

V0 RESIN - SPS

b. PIN ALIGNMENT PLATE:

HB RESIN - SPS

V0 RESIN - SPS

c. 0.50MM BLADES:

BASE MATERIAL: BRASS

PLATING TYPE: AS NOTED

d. 1.20MM BLADES:

BASE MATERIAL: BRASS

PLATING TYPE: AS NOTED

3. PLATING REQUIREMENTS:

a. UNDERPLATING - OVERALL NICKEL

b. OVERPLATING - OVERALL REFLOWED TIN

REV	REV DESCRIPTION	ECN SAP NO.
J3	1. SHEET 1: UPDATED NOTES INFORMATION 2. SHEET 3: ADDED "BEFORE SOLDERING" NOTE TO DIM 3 3. SHEET 3: ADDED DIM 3A	663659
J2	1. SHEET 1: UPDATED NOTES INFORMATION 2. SHEET 1: UPDATED V0 PRODUCT STATUS 3. SHEET 4: DIM 3: 10.77±0.18 WAS 10.77(+0.13/-0.08) 4. SHEET 5: REMOVED BALLOON NUMBER FOR DIMENSION OF PCB LAYOUT	658910
J1	1. UPDATED BELOW PART NUMBER STATUS TO OBSOLETE: 34961-0380, 34961-7380, 34961-8380 34961-0381, 34961-7381, 34961-8381 34961-0382, 34961-7382, 34961-8382 2. UPDATED BELOW V0 PART NUMBER STATUS TO SALEABLE: 2133550340, 2133557340, 2133558340 3. ADDED V0 VALIDATION SPECIFICATION & V0 PRODUCT SPECIFICATION INFORMATION IN NOTES	631858
J	1. ADDED V0 NEW PART NUMBER IN SHEET 1: 2133550340, 2133550341, 2133550342, 2133550380, 2133550381, 2133550382 2133557340, 2133557341, 2133557342, 2133557380, 2133557381, 2133557382 2133558340, 2133558341, 2133558342, 2133558380, 2133558381, 2133558382 2. ADDED SHEET 2 TO SHOW 34&38CKT POLARIZATION OPTION & HB / V0 VERSION DIFFERENCE 3. ADDED V0 PLASTIC MATERIAL INFORMATION IN NOTES	626237
H1	1. UPDATED NEWEST VIEW OF THE POLARIZATION OPTION UPDATED A & B C. 2. ADDED DIM1A, DIM 3A, DIM 6A, DIM 7A. 3. UPDATED PRODUCT STATUS. 4. UPDATED DIM 26: 0.4±0.03 WAS 0.4±0.10	609559
H	ADDED THE FOLLOW ITEMS TO CUSTOMER DRAWING: 1. ADDED DATUM F, DATUM G AND DATUM H, SEE SHEET 2 AND SHEET 3. 2. ADDED NEW UPWARD VIEW FOR 38WAY HEADER ASSEM, SEE SHEET 2. 3. ADDED NEW VIEW SECTION X-X, SECTION Y-Y, SECTION Z-Z AND SECTION W-W, SEE SHEET 3.	10904363
G	ADDED NEW VIEW OF UPDATED POL A & B C, SEE SHEET 1. ADDED NEW P/N: 34961-0383 \ 34961-0384 \ 34961-0385 \ 34961-7383 \ 34961-7384 \ 34961-7385 \ 34961-8383 \ 34961-8384 \ 34961-8385 IN THE BOM ON SHEET 1. ADDED PRODUCT STATUS IN BOM.	10885609

FUNCTIONAL SYMBOLS	THIS DRAWING CONTAINS INFORMATION THAT IS PROPRIETARY TO MOLEX ELECTRONIC TECHNOLOGIES, LLC AND SHOULD NOT BE USED WITHOUT WRITTEN PERMISSION		CURRENT REV DESC:	
FA = 0	DIMENSION UNITS	SCALE		
FC = 0	mm	3:1		
FP = 0	GENERAL TOLERANCES (UNLESS SPECIFIED)			
	ANGULAR TOL	±		
	4 PLACES	±		
	3 PLACES	±		
	2 PLACES	±		
	1 PLACE	±		
	0 PLACES	±		
DIVISIONAL SYMBOLS	DRAFT WHERE APPLICABLE MUST REMAIN WITHIN DIMENSIONS		THIRD ANGLE PROJECTION	DRAWING
			⊕	D-SIZE
			SERIES	34961
			MATERIAL NUMBER	GENERAL MARKET
			CUSTOMER	
			SHEET NUMBER	1 OF 5
			EC NO: 663659	
			DRWN: SWU31	2021/05/12
			CHK'D: CDZHANG	2021/05/20
			APPR: CDZHANG	2021/05/20
			INITIAL REVISION:	
			DRWN: JFISCHER01	2012/11/21
			APPR: KDEKOSKI	2012/12/21
			DOCUMENT NUMBER	SD-34961-030
			DOC TYPE	PSD
			DOC PART	001
			REVISION	J3

molex

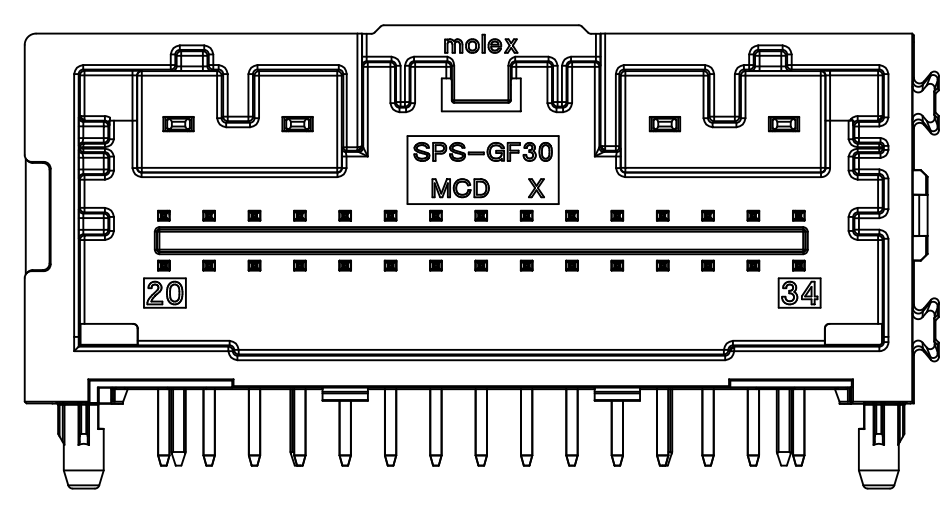
34 & 38CKT MINI50
RIGHT ANGLE HEADER ASSEMBLY SALES DRAWING

PRODUCT CUSTOMER DRAWING

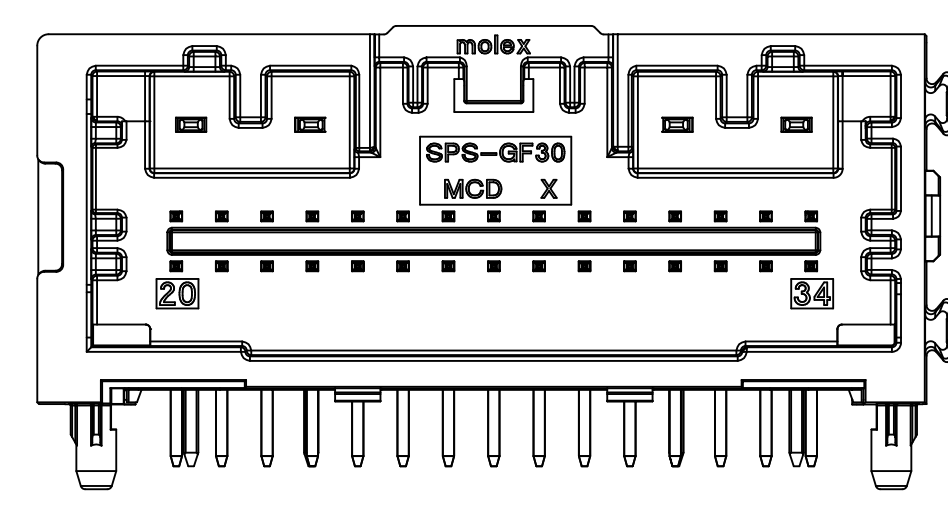
DOCUMENT NUMBER	DOC TYPE	DOC PART	REVISION
SD-34961-030	PSD	001	J3

MATERIAL NUMBER	CUSTOMER	SHEET NUMBER
	GENERAL MARKET	1 OF 5

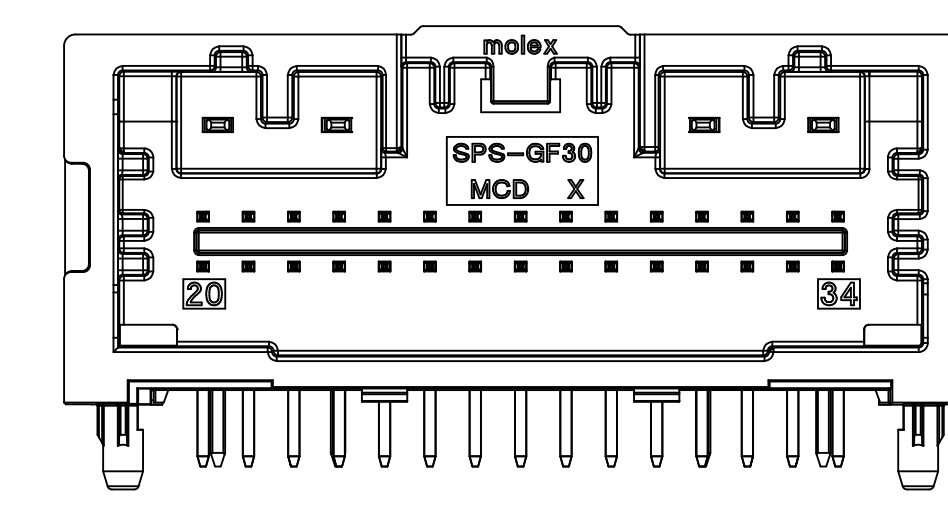
TABLE OF CONTENTS	
SHEET NO.	SHEET DESCRIPTION
2	34&38CKT POLARIZATION OPTION VIEW HB/V0 HEADER DIFFERENCE VIEW



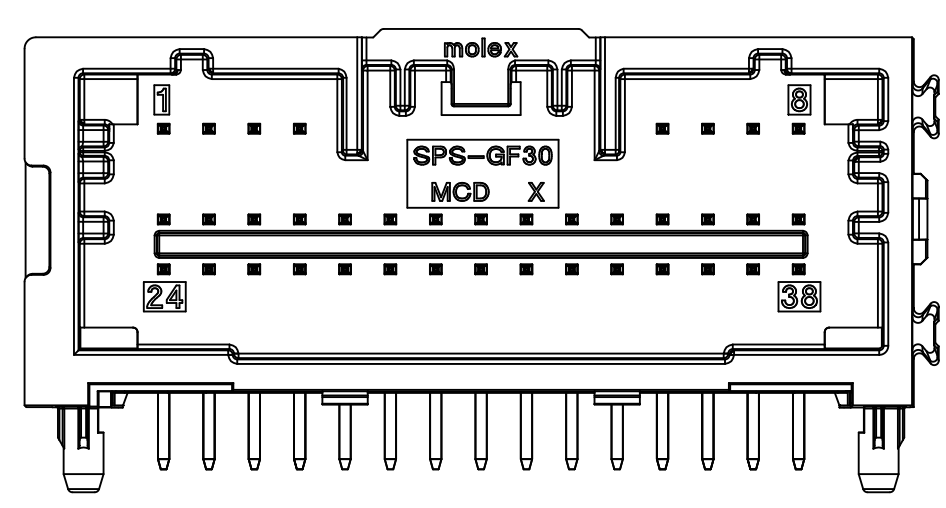
34CKT POLARIZATION OPTION A



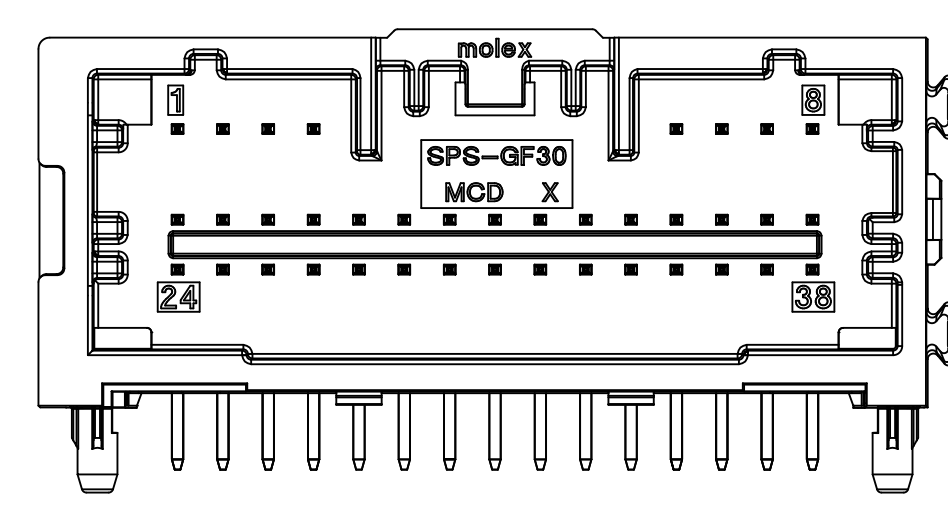
34CKT POLARIZATION OPTION B



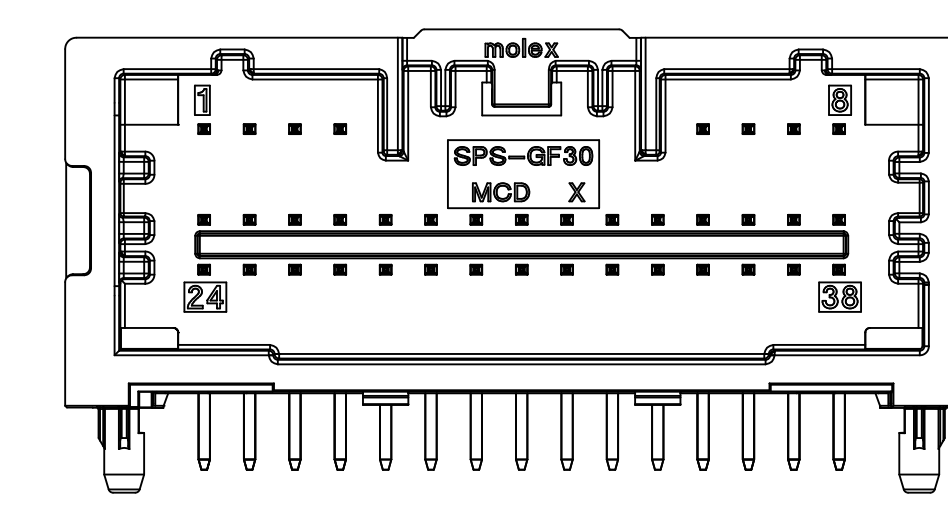
34CKT POLARIZATION OPTION C



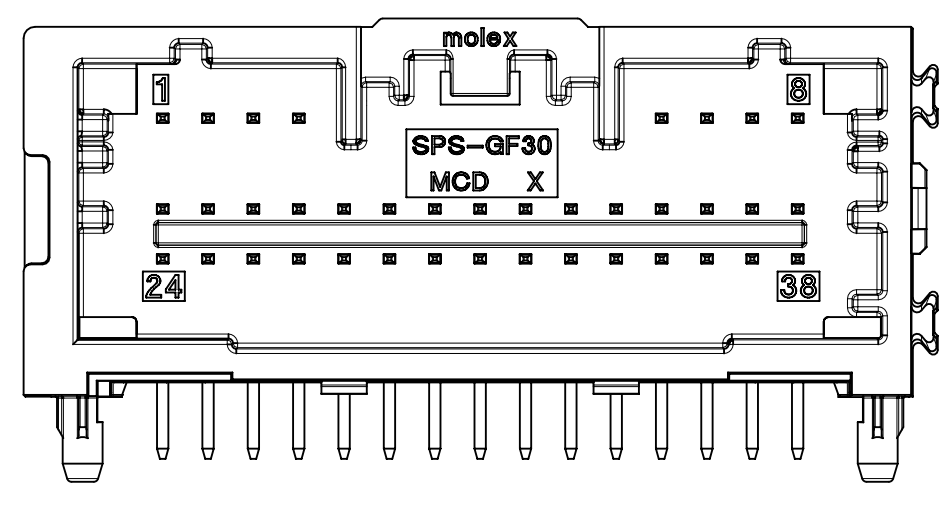
38CKT POLARIZATION OPTION A



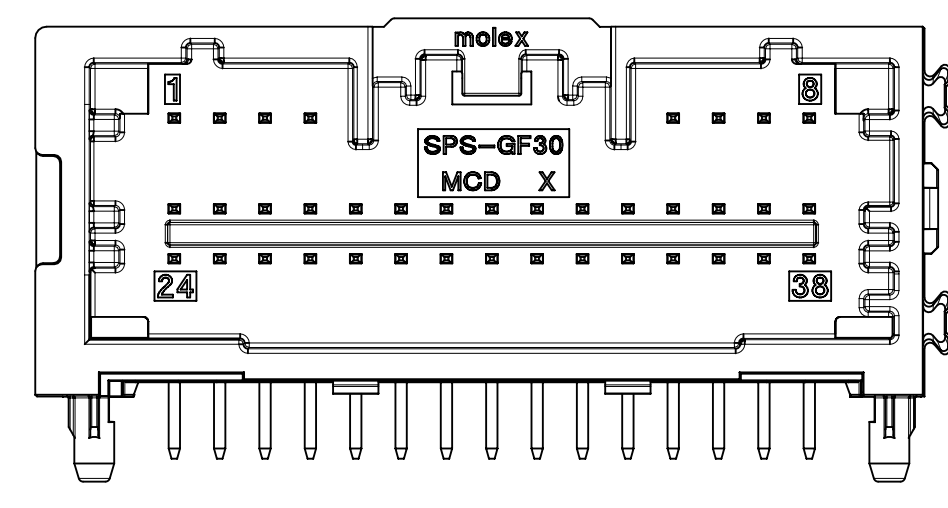
38CKT POLARIZATION OPTION B



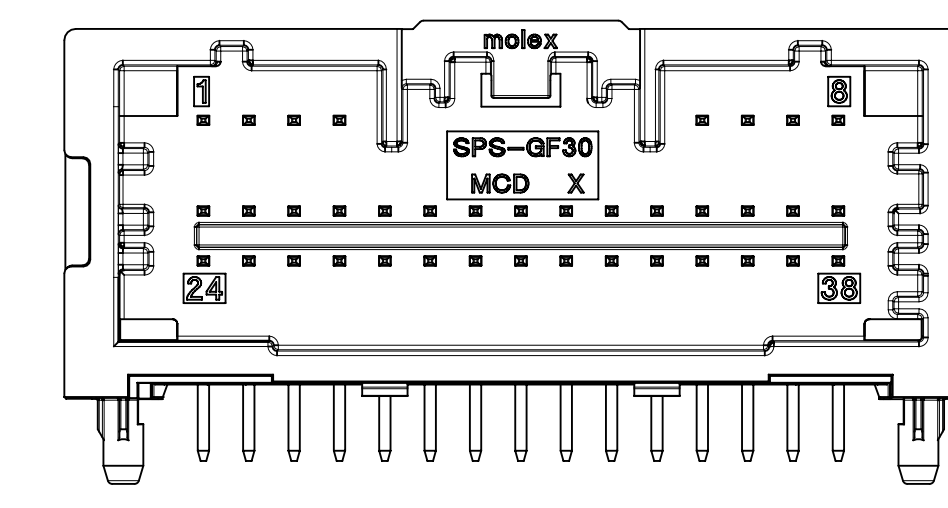
38CKT POLARIZATION OPTION C



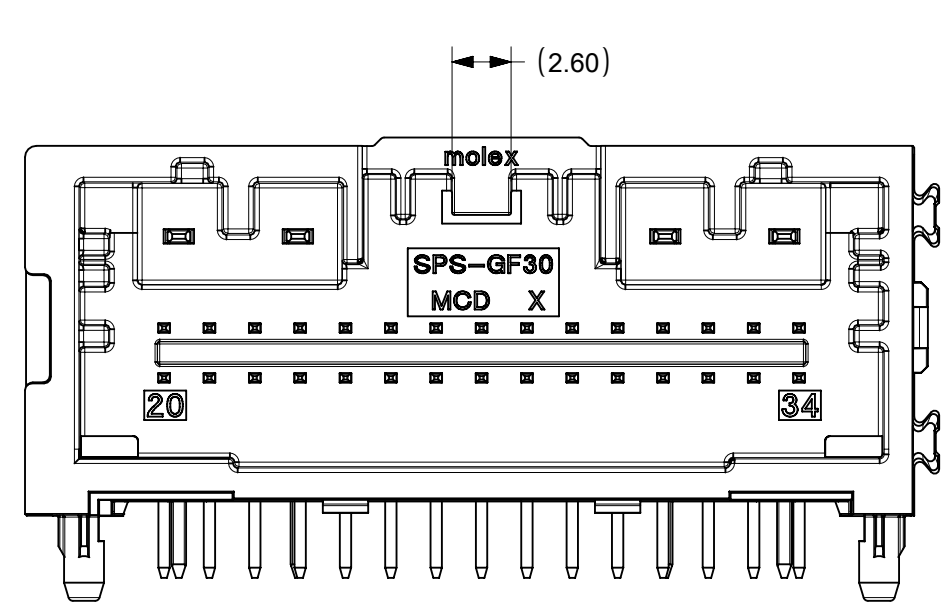
38CKT POLARIZATION OPTION UPDATED A



38CKT POLARIZATION OPTION UPDATED B

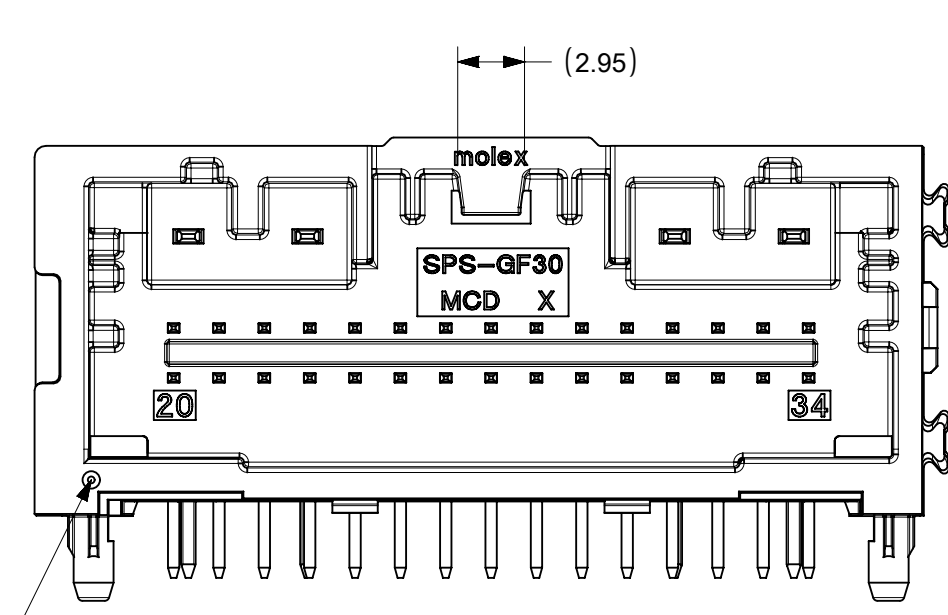


38CKT POLARIZATION OPTION UPDATED C



HB P/Ns: 34961XXXX
APPLIES TO ALL CKT SIZES, USE 34CKT AS SHOWN

HB / V0 VERSION DIFFERENCE



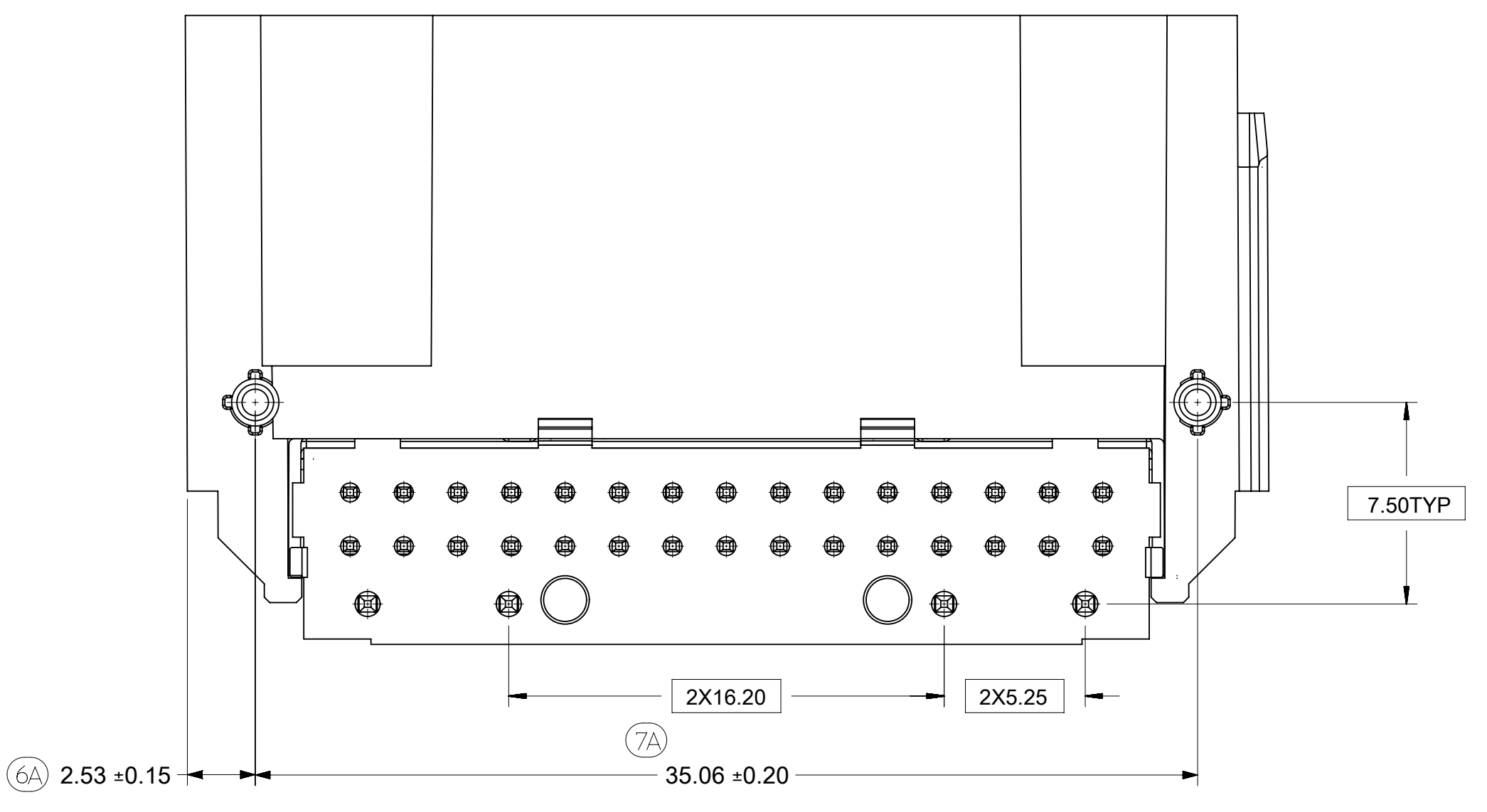
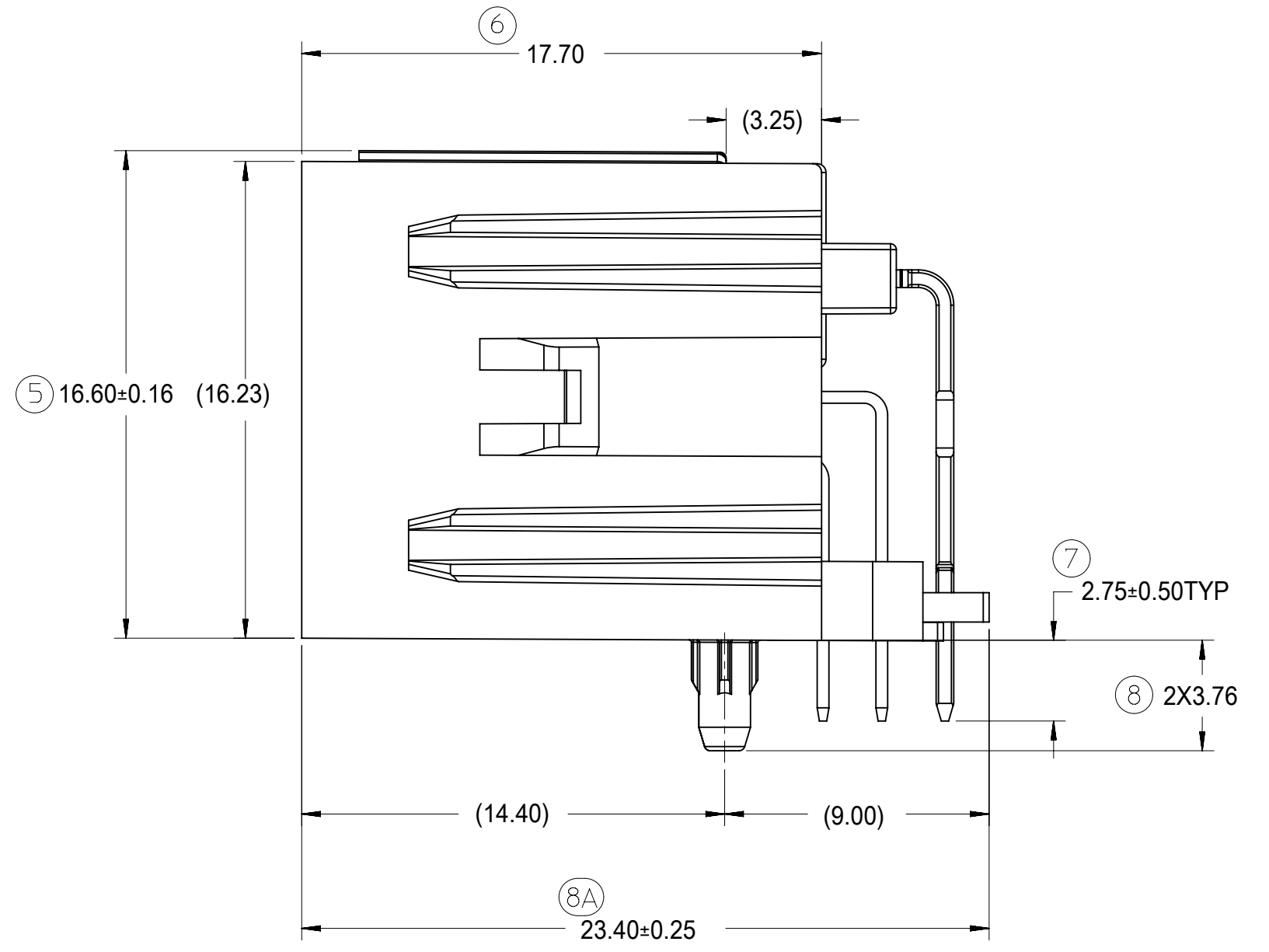
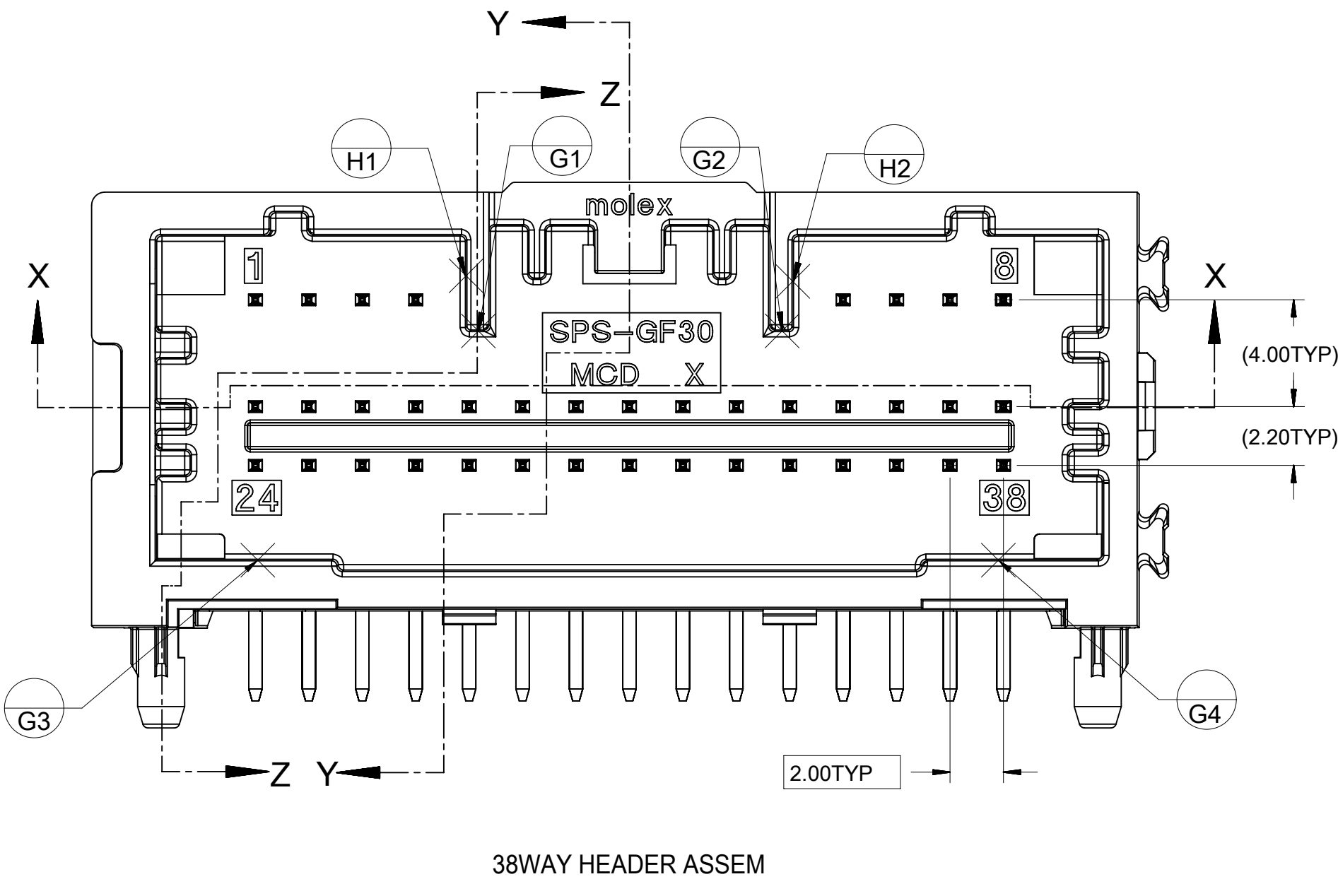
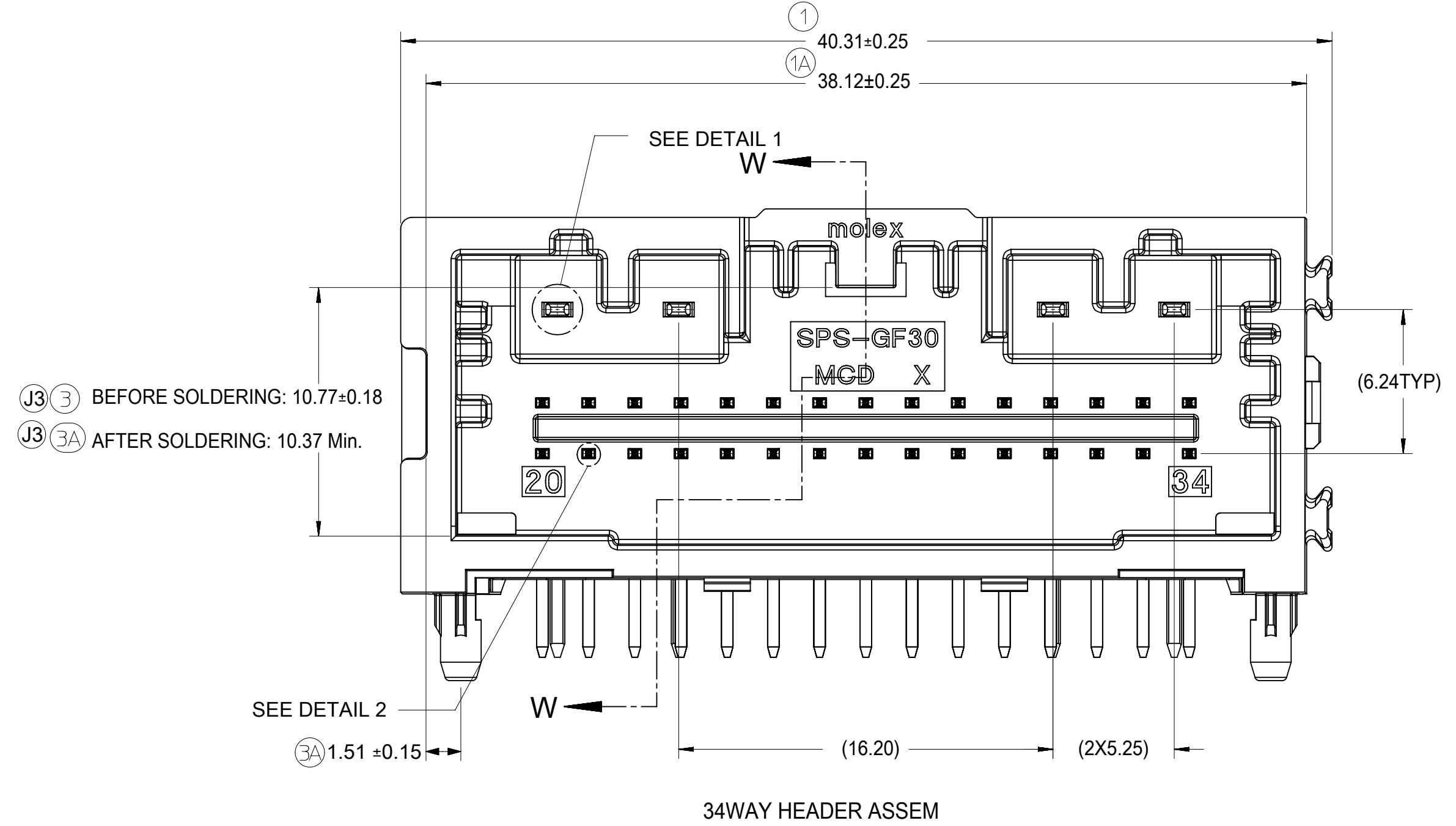
DEPRESSION FEATURE ADDED TO V0 PART TO DISTINGUISH FROM HB PART

HOLE FEATURE ADDED TO V0 PART TO DISTINGUISH FROM HB PART

V0 P/Ns: 213355XXXX
APPLIES TO ALL CKT SIZES, USE 34CKT AS SHOWN

FUNCTIONAL SYMBOLS	THIS DRAWING CONTAINS INFORMATION THAT IS PROPRIETARY TO MOLEX ELECTRONIC TECHNOLOGIES, LLC AND SHOULD NOT BE USED WITHOUT WRITTEN PERMISSION		CURRENT REV DESC:	molex
	DIMENSION UNITS	SCALE		
$F_A = 0$	mm	3:1	EC NO: 663659	
$F_C = 0$	GENERAL TOLERANCES (UNLESS SPECIFIED)		DRWN: SWU31	2021/05/12
$F_P = 0$	ANGULAR TOL ± °		CHK'D: CDZHANG	2021/05/20
DIVISIONAL SYMBOLS	4 PLACES	±	APPR: CDZHANG	2021/05/20
	3 PLACES	±	INITIAL REVISION:	
	2 PLACES	±	DRWN: JFISCHER01	2012/11/21
1 PLACE	±	APPR: KDEKOSKI	2012/12/21	
0 PLACES	±			
DRAFT WHERE APPLICABLE MUST REMAIN WITHIN DIMENSIONS		THIRD ANGLE PROJECTION	DRAWING	SERIES
			D-SIZE	34961
DOCUMENT STATUS	P1	RELEASE DATE	2021/05/20 02:13:32	MATERIAL NUMBER
				SD-34961-030
				DOC TYPE
				PSD
				DOC PART
				001
				REVISION
				J3
				CUSTOMER
				GENERAL MARKET
				SHEET NUMBER
				2 OF 5

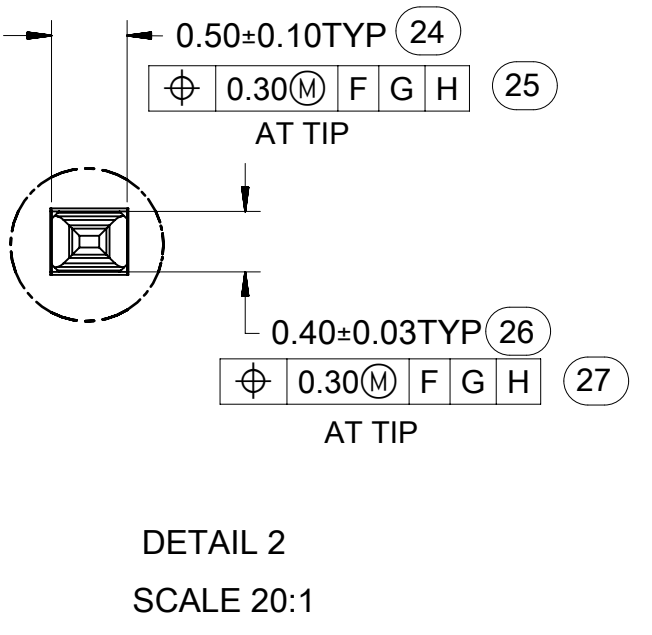
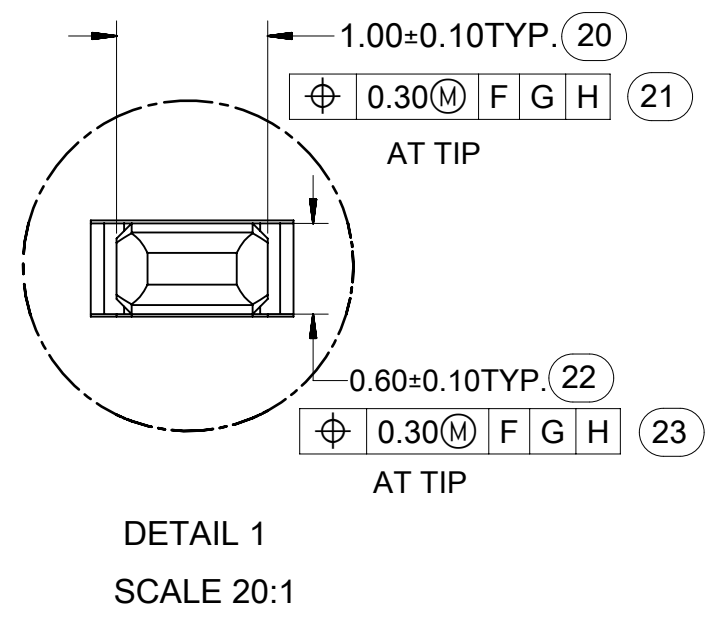
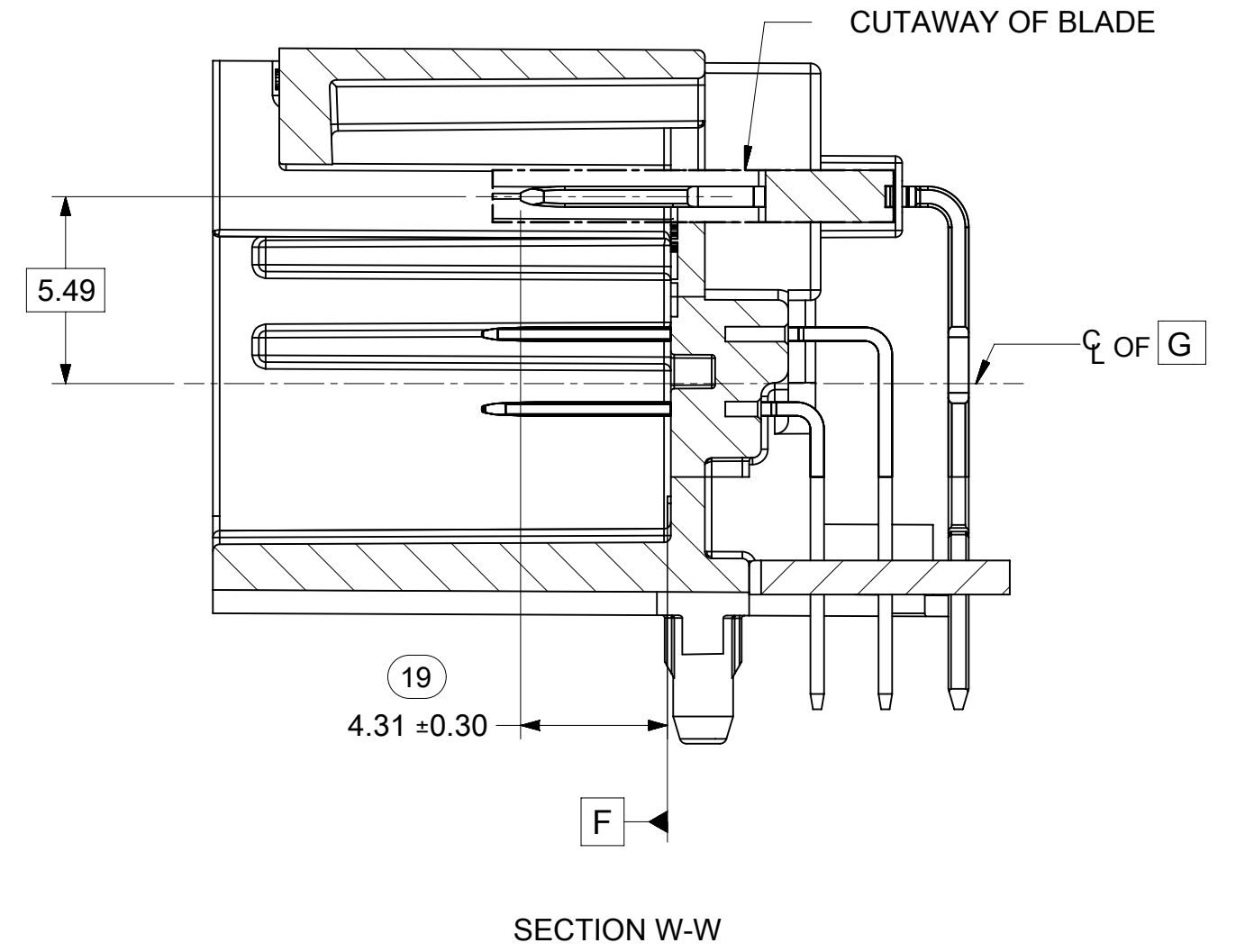
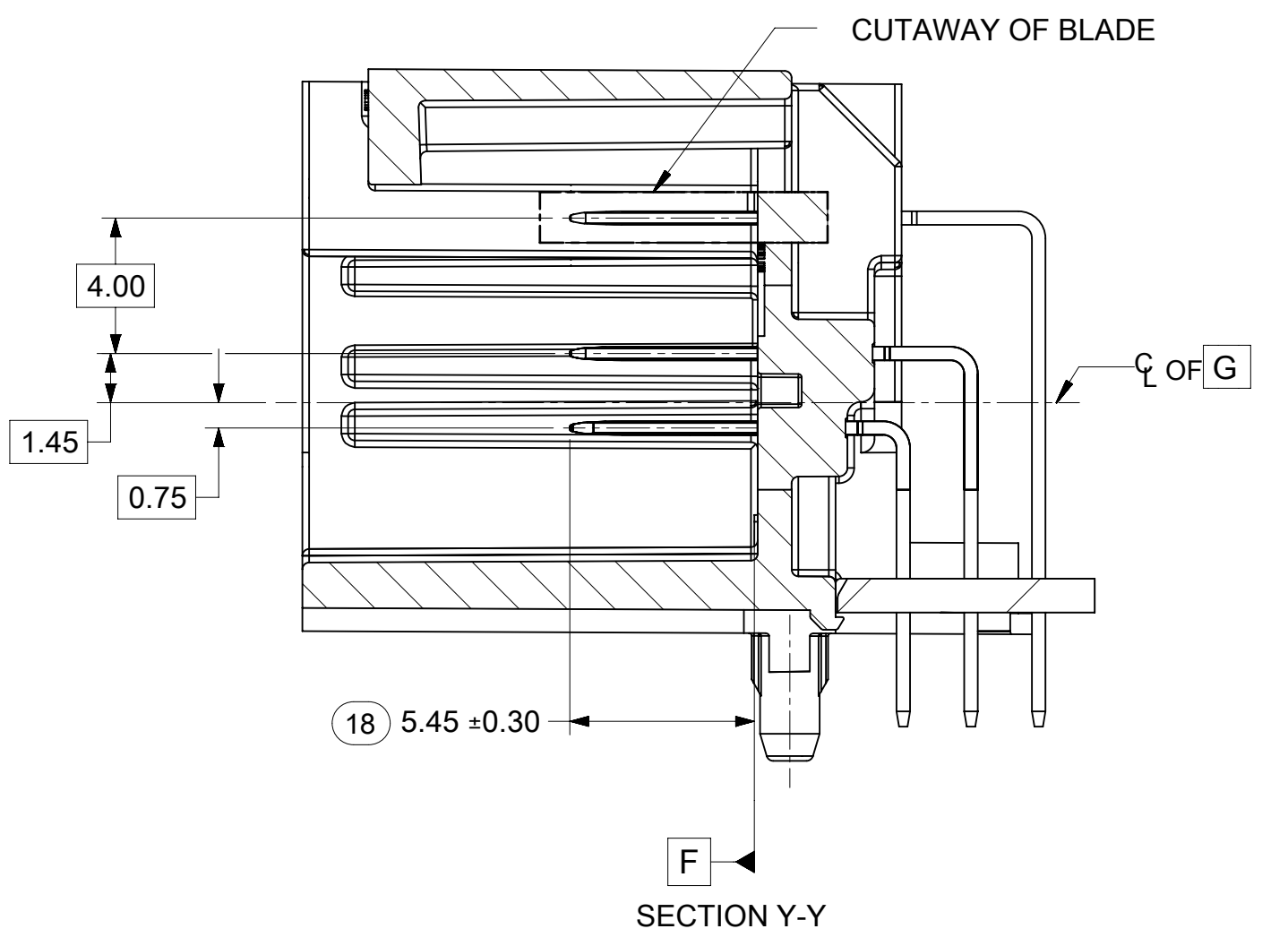
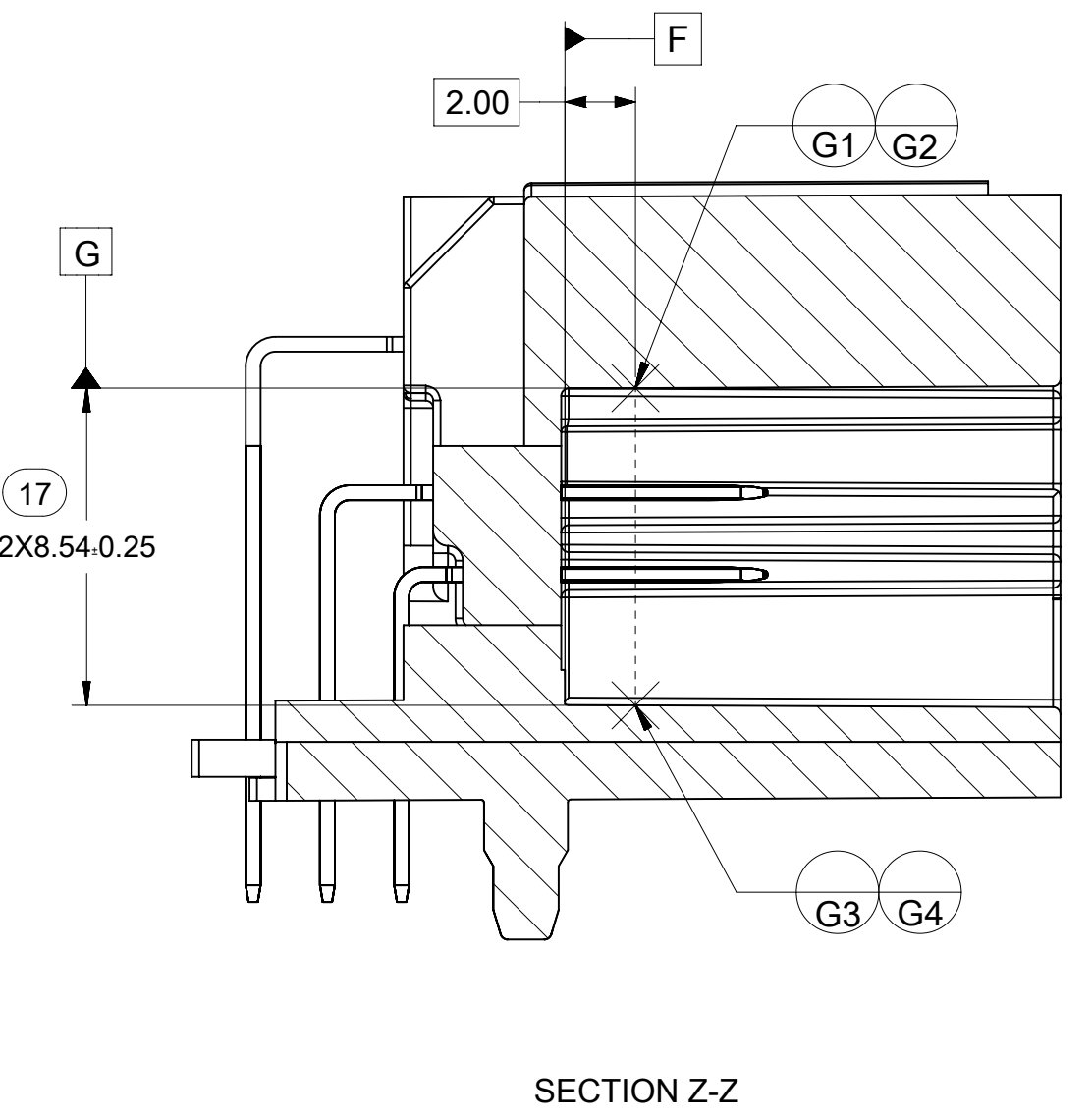
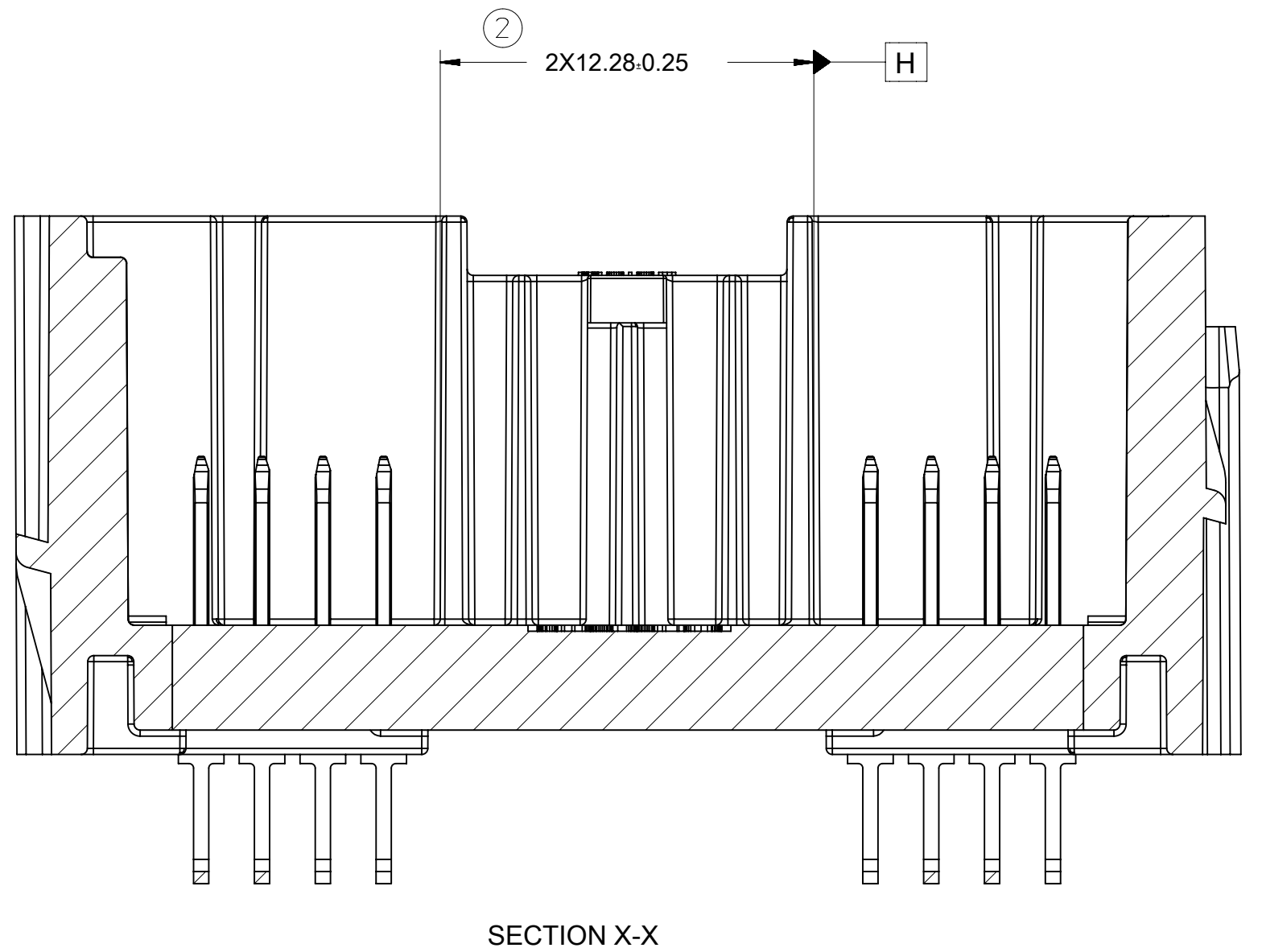
TABLE OF CONTENTS	
SHEET NO.	SHEET DESCRIPTION
3	DETAIL DIMENSION VIEW



FUNCTIONAL SYMBOLS FA = 0 FC = 0 FP = 0 DIVISIONAL SYMBOLS	THIS DRAWING CONTAINS INFORMATION THAT IS PROPRIETARY TO MOLEX ELECTRONIC TECHNOLOGIES, LLC AND SHOULD NOT BE USED WITHOUT WRITTEN PERMISSION		DIMENSION UNITS: mm SCALE: 5:1		CURRENT REV DESC:				
	GENERAL TOLERANCES (UNLESS SPECIFIED)		EC NO: 663659 DRWN: SWU31 CHK'D: CDZHANG APPR: CDZHANG		2021/05/12 2021/05/20 2021/05/20				
	ANGULAR TOL ± °		INITIAL REVISION:		PRODUCT CUSTOMER DRAWING		DOCUMENT NUMBER: SD-34961-030		
	4 PLACES ± 3 PLACES ± 2 PLACES ± 1 PLACE ± 0 PLACES ±		DRWN: JFISCHER01 APPR: KDEKOSKI		2012/11/21 2012/12/21		DOC TYPE: PSD DOC PART: 001 REVISION: J3		MATERIAL NUMBER: 34961 CUSTOMER: GENERAL MARKET
DRAFT WHERE APPLICABLE MUST REMAIN WITHIN DIMENSIONS		THIRD ANGLE PROJECTION		DRAWING: D-SIZE		SHEET NUMBER: 3 OF 5		SHEET NUMBER: 3 OF 5	

DOCUMENT STATUS	P1	RELEASE DATE	2021/05/20	02:13:32
-----------------	----	--------------	------------	----------

TABLE OF CONTENTS	
SHEET NO.	SHEET DESCRIPTION
4	DETAIL DIMENSION VIEW



FUNCTIONAL SYMBOLS	THIS DRAWING CONTAINS INFORMATION THAT IS PROPRIETARY TO MOLEX ELECTRONIC TECHNOLOGIES, LLC AND SHOULD NOT BE USED WITHOUT WRITTEN PERMISSION		CURRENT REV DESC:	
	FA = 0	mm	SCALE	5:1
DIVISIONAL SYMBOLS	GENERAL TOLERANCES (UNLESS SPECIFIED)		EC NO: 663659	
	FC = 0	ANGULAR TOL ± °	DRWN: SWU31	2021/05/12
DIVISIONAL SYMBOLS	4 PLACES	±	CHK'D: CDZHANG	2021/05/20
	3 PLACES	±	APPR: CDZHANG	2021/05/20
	2 PLACES	±	INITIAL REVISION:	
	1 PLACE	±	DRWN: JFISCHER01	2012/11/21
DRAFT WHERE APPLICABLE MUST REMAIN WITHIN DIMENSIONS	THIRD ANGLE PROJECTION		APPR: KDEKOSKI	2012/12/21
	DRAWING		SERIES	MATERIAL NUMBER
D-DRAFT		D-DRAFT	34961	GENERAL MARKET
DOCUMENT STATUS		RELEASE DATE	2021/05/20	02:13:32

molex

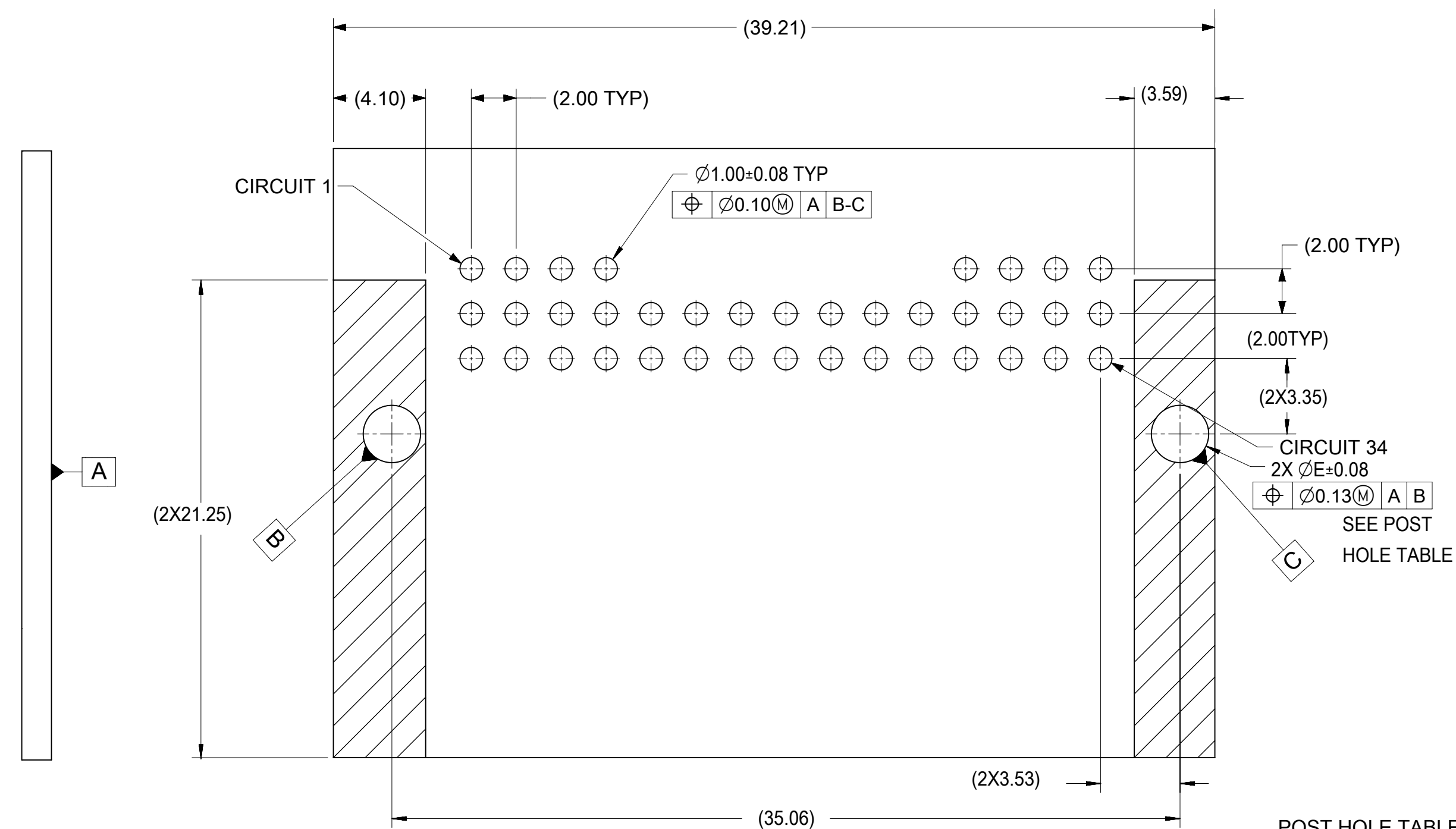
34 & 38CKT MINI50
RIGHT ANGLE HEADER ASSEMBLY SALES DRAWING

PRODUCT CUSTOMER DRAWING

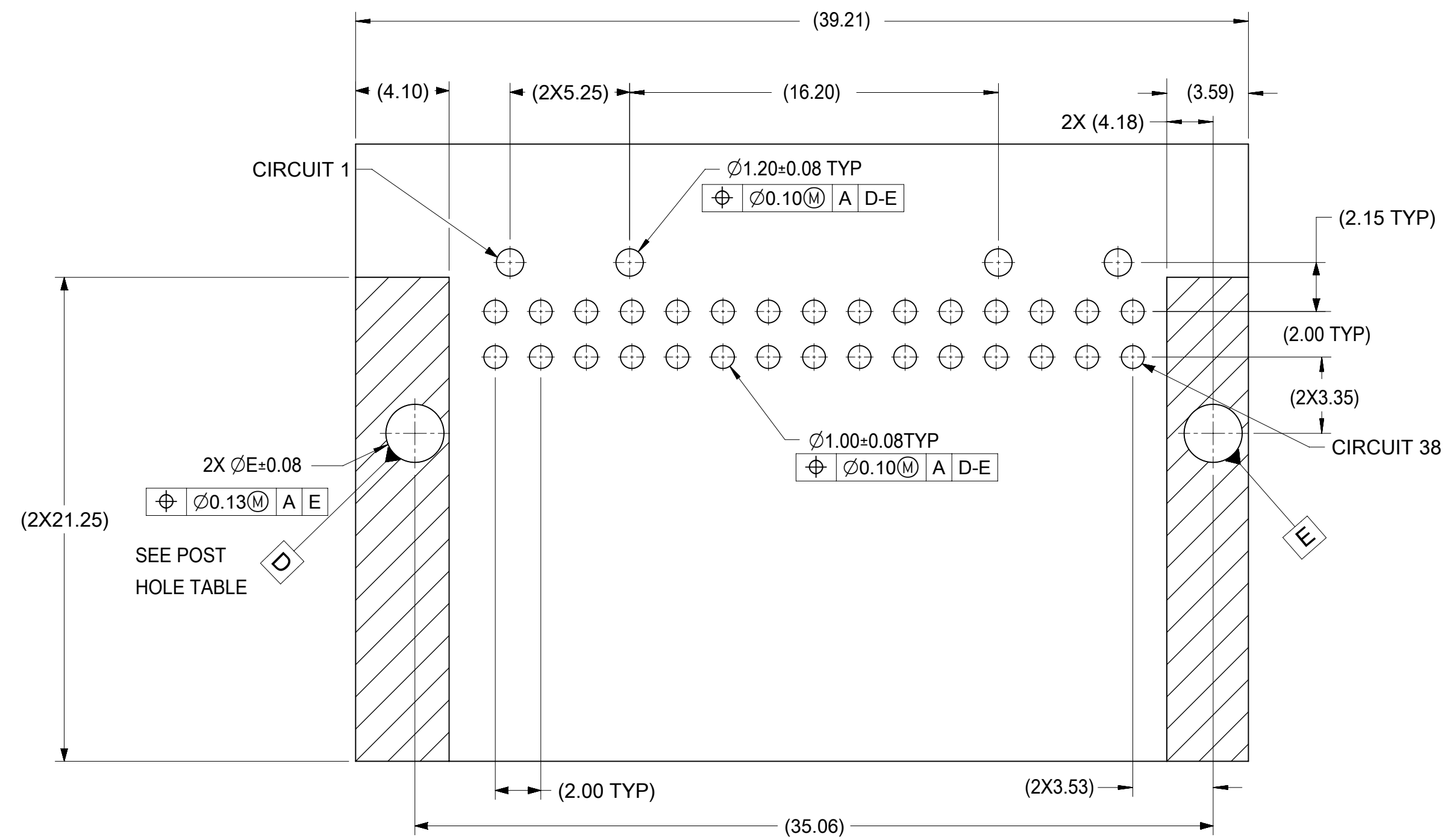
DOCUMENT NUMBER: SD-34961-030
DOC TYPE: PSD
DOC PART: 001
REVISION: J3

SHEET NUMBER: 4 OF 5

TABLE OF CONTENTS	
SHEET NO.	SHEET DESCRIPTION
5	REFERENCE PCB LAYOUT



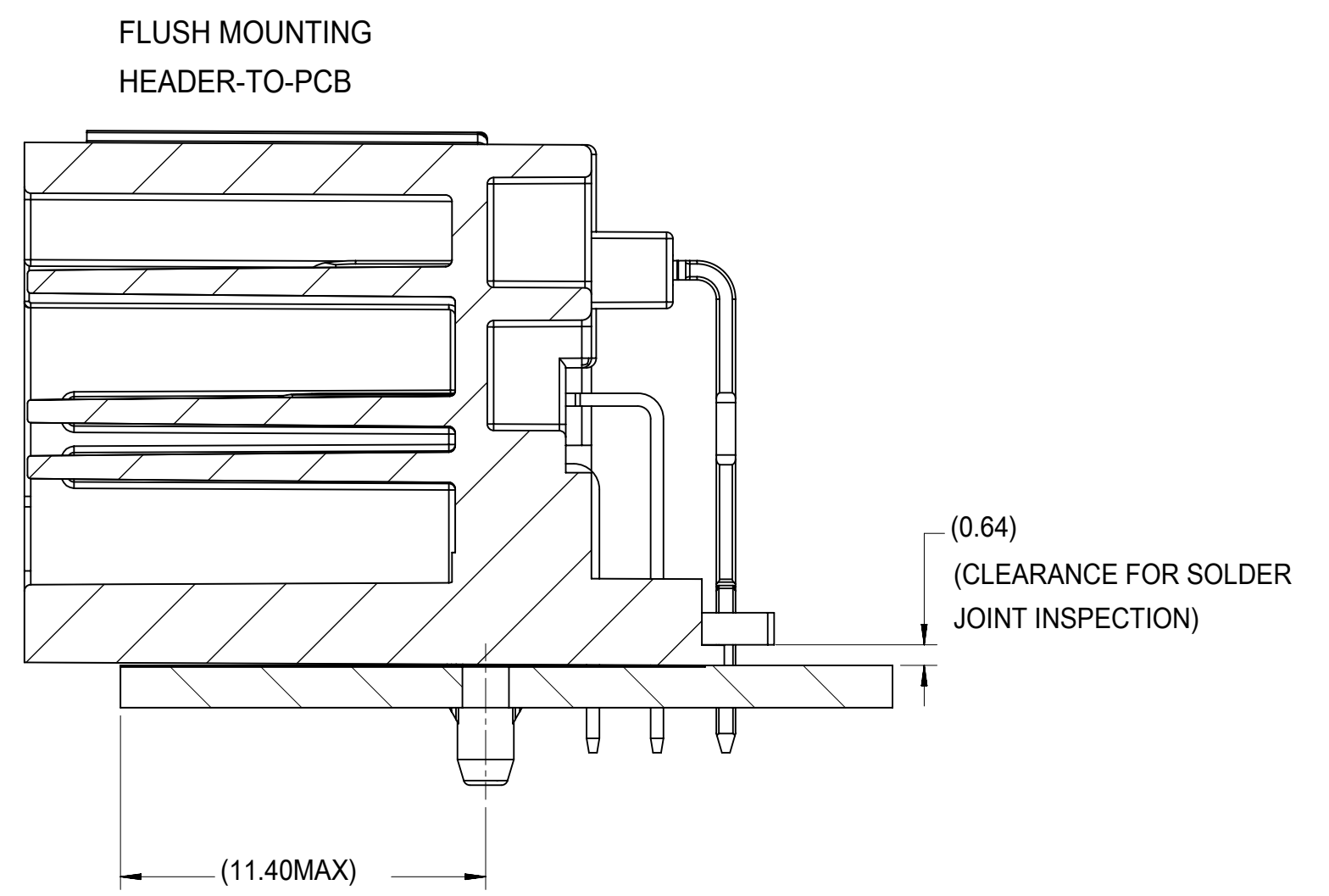
REFERENCE 38WAY PCB LAYOUT



REFERENCE 34WAY PCB LAYOUT

POST HOLE TABLE:

FOR DIM E:	
PRESS FIT:	2.15
DROP IN:	2.55



FUNCTIONAL SYMBOLS FA = 0 FC = 0 FP = 0	THIS DRAWING CONTAINS INFORMATION THAT IS PROPRIETARY TO MOLEX ELECTRONIC TECHNOLOGIES, LLC AND SHOULD NOT BE USED WITHOUT WRITTEN PERMISSION	DIMENSION UNITS mm	SCALE 5:1	CURRENT REV DESC:	molex					
	GENERAL TOLERANCES (UNLESS SPECIFIED)	EC NO: 663659 DRWN: SWU31 2021/05/12 CHK'D: CDZHANG 2021/05/20 APPR: CDZHANG 2021/05/20 INITIAL REVISION: DRWN: JFISCHER01 2012/11/21 APPR: KDEKOSKI 2012/12/21				34 & 38CKT MINI50 RIGHT ANGLE HEADER ASSEMBLY SALES DRAWING				
DIVISIONAL SYMBOLS	ANGULAR TOL ± °	4 PLACES ±	3 PLACES ±	2 PLACES ±	1 PLACES ±	0 PLACES ±	PRODUCT CUSTOMER DRAWING			
DRAFT WHERE APPLICABLE MUST REMAIN WITHIN DIMENSIONS		THIRD ANGLE PROJECTION	DRAWING D-SIZE	SERIES 34961	MATERIAL NUMBER	CUSTOMER GENERAL MARKET	DOCUMENT NUMBER SD-34961-030	DOC TYPE PSD	DOC PART 001	REVISION J3