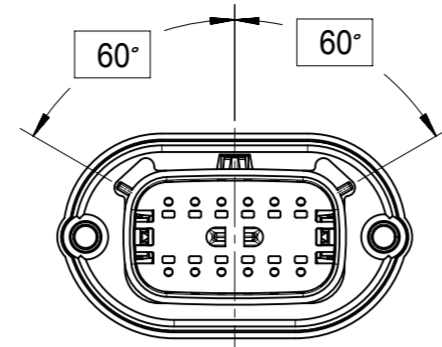
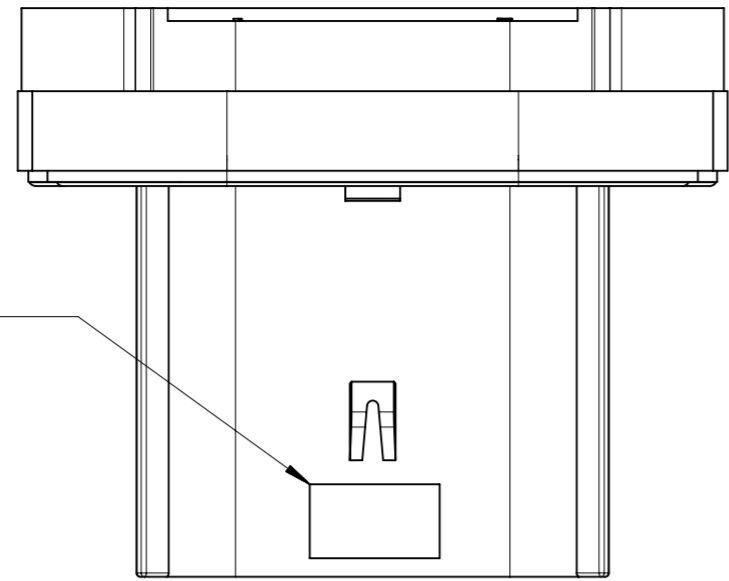
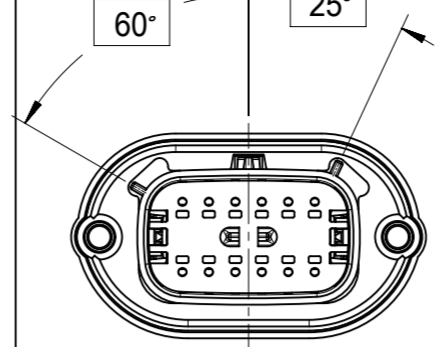


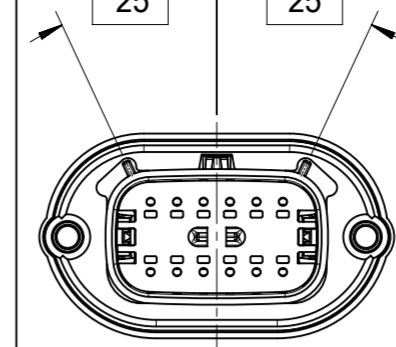
TRACEABILITY INFORMATION
LOCATION IN THIS AREA



KEY OPTION A
47725-2010
47725-2110

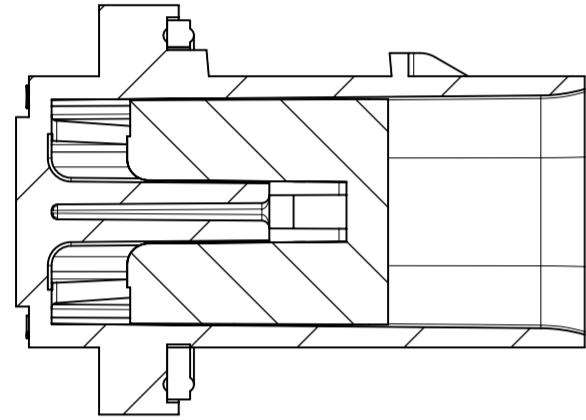


KEY OPTION C
47725-2030
47725-2130



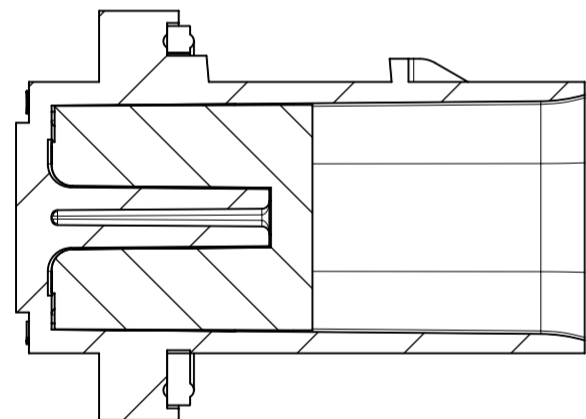
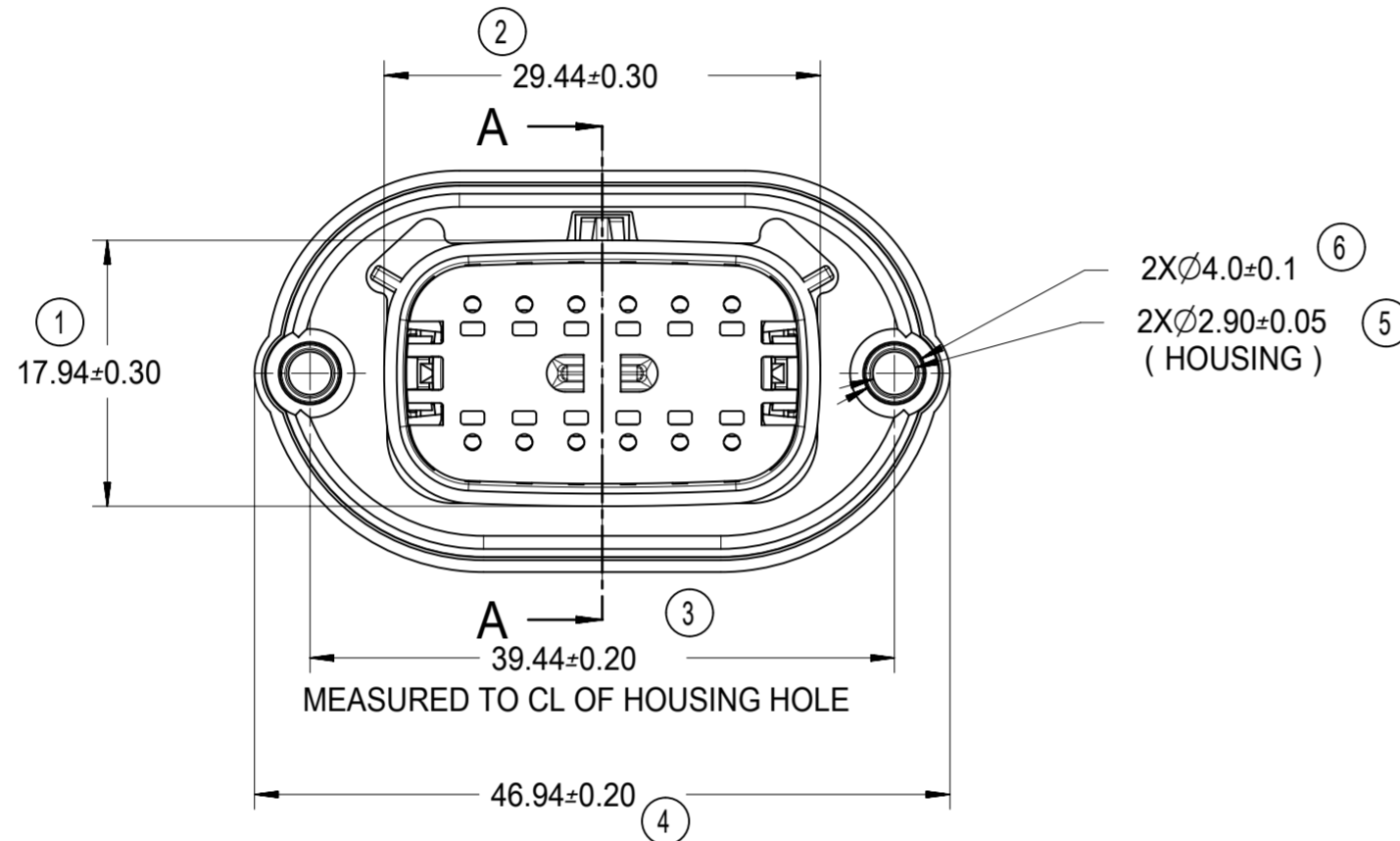
KEY OPTION D
47725-2040
47725-2140

ASSY P/N	KEY OPTION	DESCRIPTION	COLOR	STATUS
47725-2010	A	HOUSING	BLACK	PLANNED OBSOLESCENCE
		GASKET	BLACK	
		TPA	NATURAL	
47725-2030	C	HOUSING	DARK GRAY	PLANNED OBSOLESCENCE
		GASKET	BLACK	
		TPA	NATURAL	
47725-2040	D	HOUSING	STONE GRAY	PLANNED OBSOLESCENCE
		GASKET	BLACK	
		TPA	NATURAL	
47725-2110	A	HOUSING	BLACK	PLANNED OBSOLESCENCE
		GASKET	GREY	
		TPA	NATURAL	
47725-2130	C	HOUSING	DARK GRAY	PLANNED OBSOLESCENCE
		GASKET	GREY	
		TPA	NATURAL	
47725-2140	D	HOUSING	STONE GRAY	PLANNED OBSOLESCENCE
		GASKET	GREY	
		TPA	NATURAL	



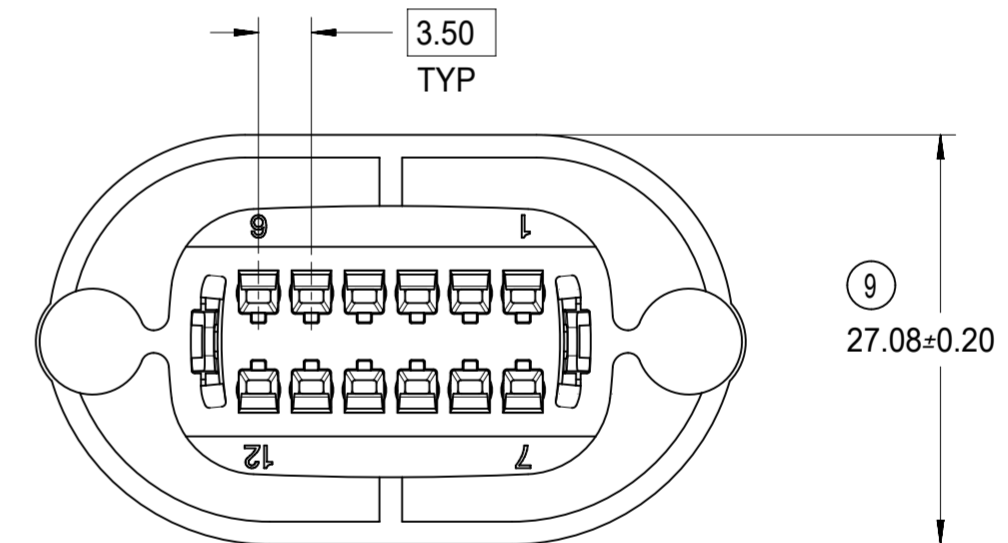
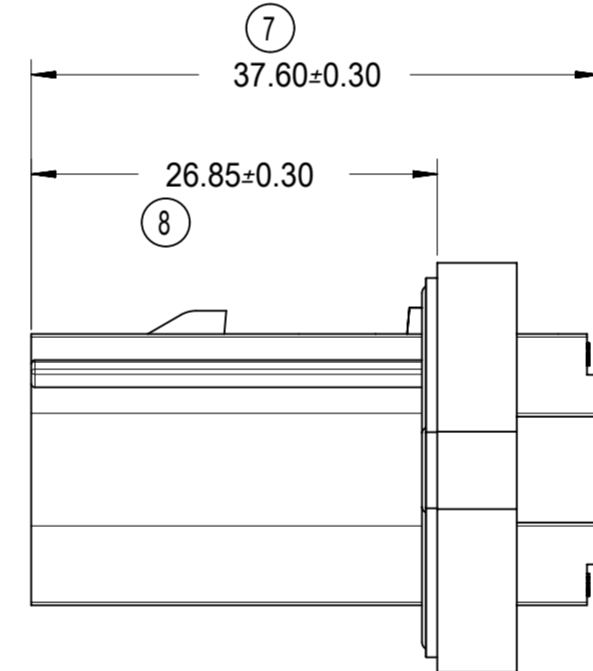
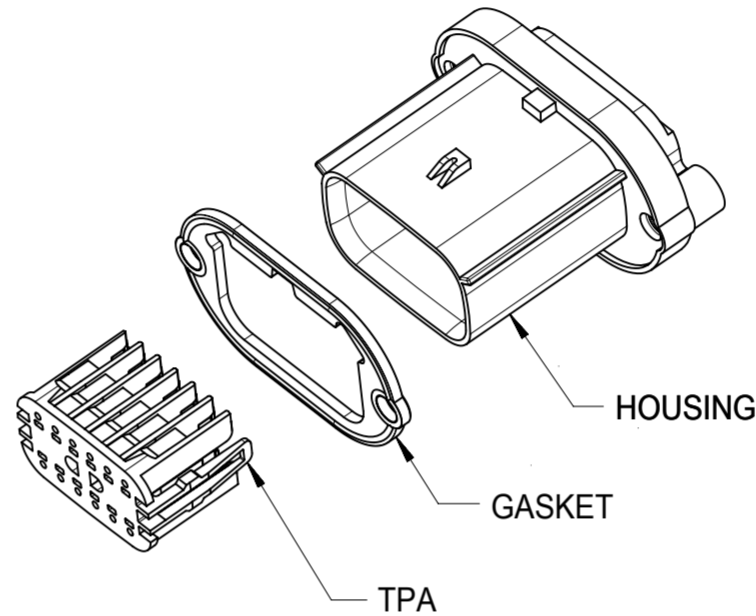
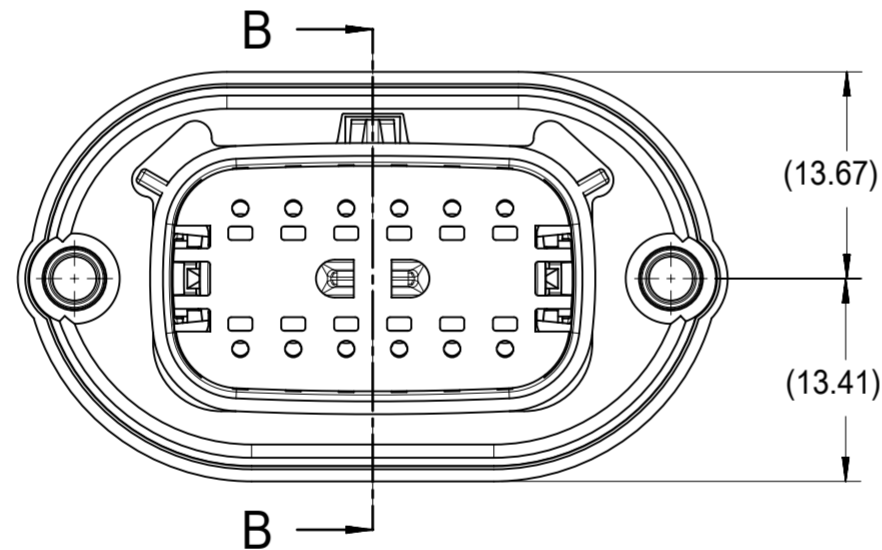
SECTION A-A

(TPA SHOWN IN PRE-LOCK POSITION)
SEE NOTE 3



SECTION B-B

(TPA SHOWN IN FULL-LOCK POSITION)
FOR REFERENCE ONLY



INSPECTION NUMBER LOG
LAST NUMBER USED: 9
ADDED:
REMOVED:

NOTES: UNLESS OTHERWISE SPECIFIED.

- SHALL CONFORM TO MOLEX PRODUCT SPECIFICATION: PS-47725-000
- USAGE OF THE PRODUCT SHALL BE IN COMPLIANCE TO MOLEX APPLICATION SPECIFICATION: AS-47725-001
- SHIPPED WITH GASKET AND TPA IN PRE-LOCK POSITION
- FOR ESSENTIAL PARTS (TERMINALS, WIRES ETC.) AND INSTALLATION TO COMPLETE ASSEMBLY SEE MOLEX PRODUCT SPECIFICATION: PS-33472-000.
- FOR TERMINAL SERVICING TOOL SEE MOLEX DOCUMENT: ATS-638131500; GM PART NUMBER J-38125-217
- DESIGNED TO MATE WITH 12 WAY RECEPTACLE CONNECTOR ASSEMBLY PER SD-33472-121. FOR MATING CONNECTOR ASSEMBLY INFORMATION SEE MOLEX PRODUCT SPECIFICATION: PS-33472-000

FUNCTIONAL SYMBOLS FA = 0 FC = 0 FP = 0	THIS DRAWING CONTAINS INFORMATION THAT IS PROPRIETARY TO MOLEX ELECTRONIC TECHNOLOGIES, LLC AND SHOULD NOT BE USED WITHOUT WRITTEN PERMISSION		CURRENT REV DESC:	
	DIMENSION UNITS mm	SCALE 2:1		
DIVISIONAL SYMBOLS	GENERAL TOLERANCES (UNLESS SPECIFIED)		EC NO: 642599	
	ANGULAR TOL ± 3.0°		DRWN: WKHE 2020/07/31	
	4 PLACES ±	CHK'D: JDENG02 2020/08/05		
	3 PLACES ±	APPR: JDENG02 2020/08/05		
	2 PLACES ±	INITIAL REVISION:		
	1 PLACE ± 0.1	DRWN: CDZHANG 2010/03/18		
	0 PLACES ±	APPR: GGLEE 2010/04/16		
DRAFT WHERE APPLICABLE MUST REMAIN WITHIN DIMENSIONS		THIRD ANGLE PROJECTION	DRAWING A2-SIZE	SERIES 47725
DOCUMENT STATUS	P1	RELEASE DATE	2020/08/05	07:42:41

molex

GENERAL MX150 2X6
PANEL MOUNT CONNECTOR

PRODUCT CUSTOMER DRAWING

DOCUMENT NUMBER
SD-47725-210

DOC TYPE | DOC PART | REVISION
PSD | 001 | B1

MATERIAL NUMBER | CUSTOMER | SHEET NUMBER
SEE BOM | GENERAL MARKET | 1 OF 1