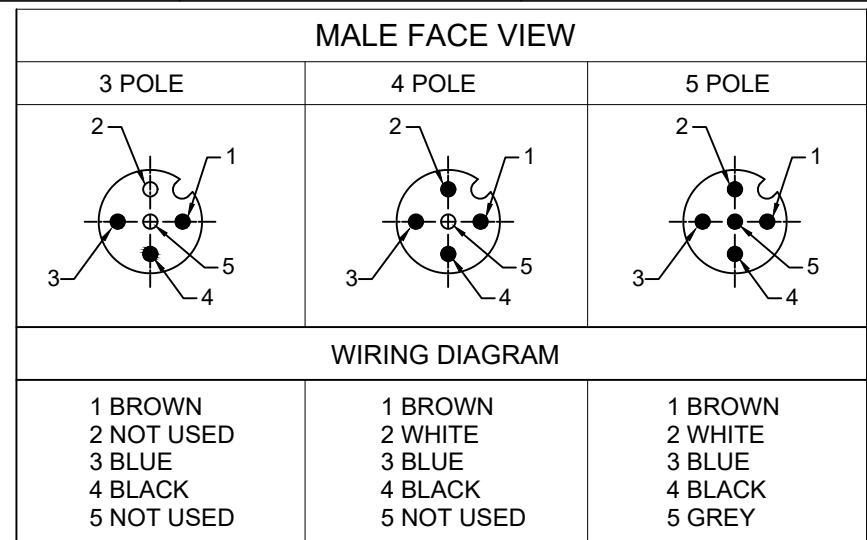
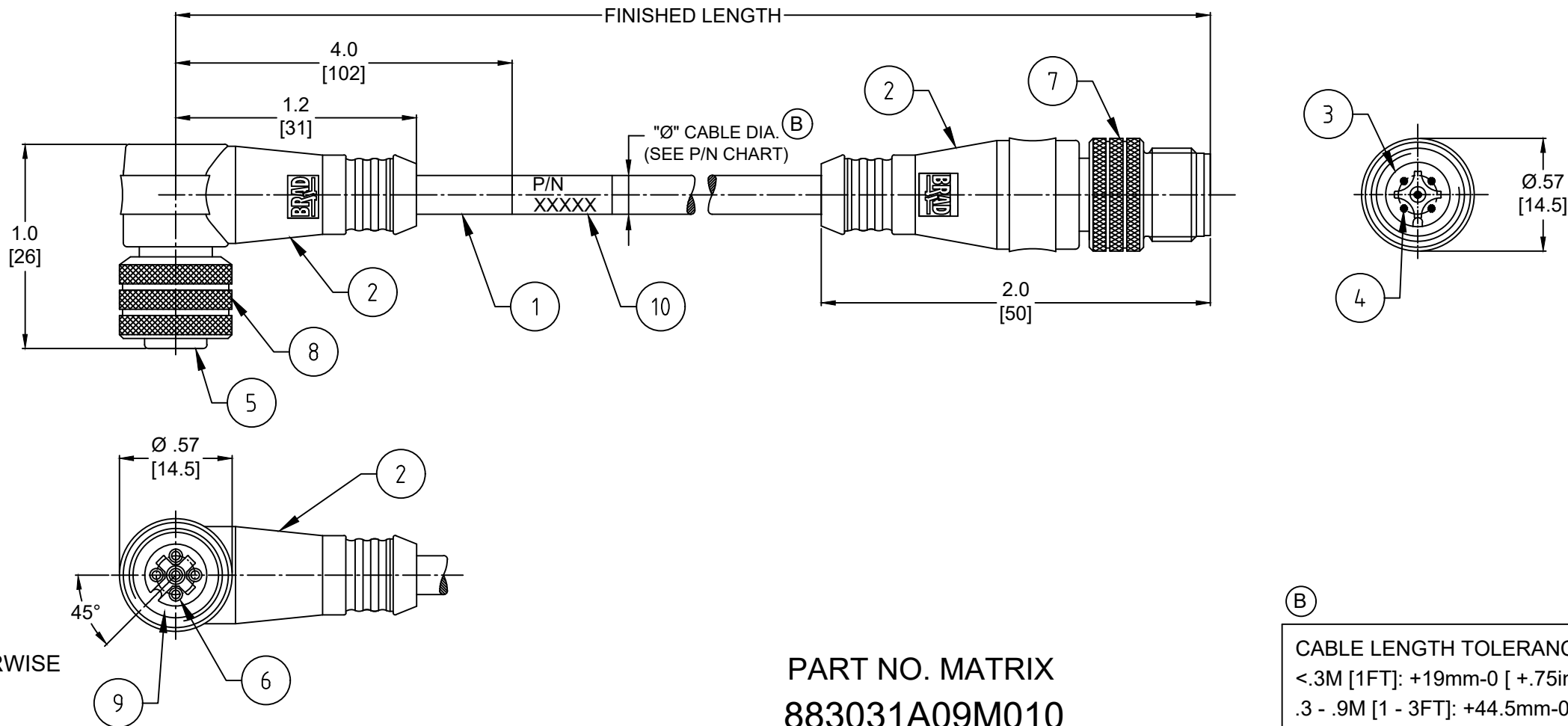


PART NO	ENGINEERING NO.	FINISHED LENGTH	POLES	CABLE DIA.
1200661137	883031A09M010	1M [3FT 3 IN]	3	.20/5.1
1200662082	884031A09M170	17M [55FT 9 IN]	4	.21/5.3
1200661396	885031A09M100	10M [32FT 9 IN]	5	.22/5.6



NOTES:

- MATERIAL: AS NOTED
- FINISH: AS NOTED
- ELECTRICAL:
VOLTAGE: 250V
CURRENT: 4A
- TEMP RATING: -20°TO +105°C
- PROTECTION: IP67 (WHEN MATED)
- COUPLING THREAD: M12X1
- UL RECOGNIZED FILE: E152210
CSA CERTIFIED FILE: LR6837 (B)
- ALL DIMENSIONS ARE FOR REFERENCE UNLESS TOLERANCED OR NOTED OTHERWISE



PART NO. MATRIX
883031A09M010

POLES
(3, 4 & 5)

FINISHED LENGTH
M005 = 0.5 METER
M010 = 1 METER
M100 = 10 METER

CABLE LENGTH TOLERANCES

<.3M [1FT]: +19mm-0 [+ .75in-0]
.3 - .9M [1 - 3FT]: +44.5mm-0 [+1.75in-0]
.9 - 1.8M [3 - 6FT]: +55.6mm-0 [+2.19in-0]
1.8 - 3.7M [6 - 12FT]: +88.9mm-0 [+3.50in-0]
3.7 - 7.3M [12 - 24FT]: +165.1mm-0 [+6.50in-0]
7.3-14.6M [24 - 48FT]: +317.5mm-0 [+12.50in-0]
14.6 - 30.5M [48-100FT]: +622.3mm-0 [+24.50in-0]
OVER 30M [100FT] +2% OF FINISHED LENGTH

ITEM	DESCRIPTION	MATERIAL	FINISH
10	LABEL	VINYL	BLACK/YELLOW
9	O-RING	VITON	RED
8	FEMALE COUPLING NUT	BRASS	NICKEL PLATED
7	MALE COUPLING NUT	BRASS	NICKEL PLATED
6	CONTACT SOCKET	COPPER ALLOY	GOLD OVER NICKEL
5	INSERT (FEMALE)	PUR	BLACK
4	CONTACT PIN	COPPER ALLOY	GOLD OVER NICKEL
3	INSERT (MALE)	PUR	BLACK
2	OVERMOLD	PUR	YELLOW
1	CABLE 22/3-5 AWG	PVC JACKET	YELLOW

FUNCTIONAL SYMBOLS $F_A=0$ $F_P=0$ $F_P=0$ DIVISIONAL SYMBOLS	THIS DRAWING CONTAINS INFORMATION THAT IS PROPRIETARY TO MOLEX ELECTRONIC TECHNOLOGIES, LLC AND SHOULD NOT BE USED WITHOUT WRITTEN PERMISSION		CURRENT REV DESC: ITEM #3 & #5 WERE NYLON, ITEM #10 WAS MYLAR. ADDED TOL CHART, CABLE DIA & CSA CERTIFICATE NUMBER. MODIFIED PN CHART		
	DIMENSION UNITS INCH/MM	SCALE NTS	molex		
	GENERAL TOLERANCES (UNLESS SPECIFIED)		MICRO-CHANGE CORDSET, M12, 3-5 POLE, FEMALE 90DEG - MALE STRAIGHT, SINGLE KEY, #22 AWG		
	4 PLACES ±--- ±--- 3 PLACES ±--- ±0.005 2 PLACES ±0.13 ±0.01 1 PLACE ±0.25 ±0.02 0 PLACES ±--- ±--- ANGULAR TOL ± 0.5 °		PRODUCT CUSTOMER DRAWING		
DRAFT WHERE APPLICABLE MUST REMAIN WITHIN DIMENSIONS		THIRD ANGLE PROJECTION	DRAWING A3-SIZE	SERIES 120066	
		EC NO: 671333 DRWN: ABENJAMINLW 2021/05/03 CHK'D: RSTONE 2021/07/23 APPR: BWOODMAN 2021/07/28	INITIAL REVISION: DRWN: LSTEMMLE 2010/01/25 APPR: NSTAUDIG 2010/01/29	DOCUMENT NUMBER SD-120066-013	
		MATERIAL NUMBER SEE CHART	CUSTOMER GENERAL MARKET	SHEET NUMBER 1 OF 1	