

FEMALE FACE VIEW
SCALE: 2X

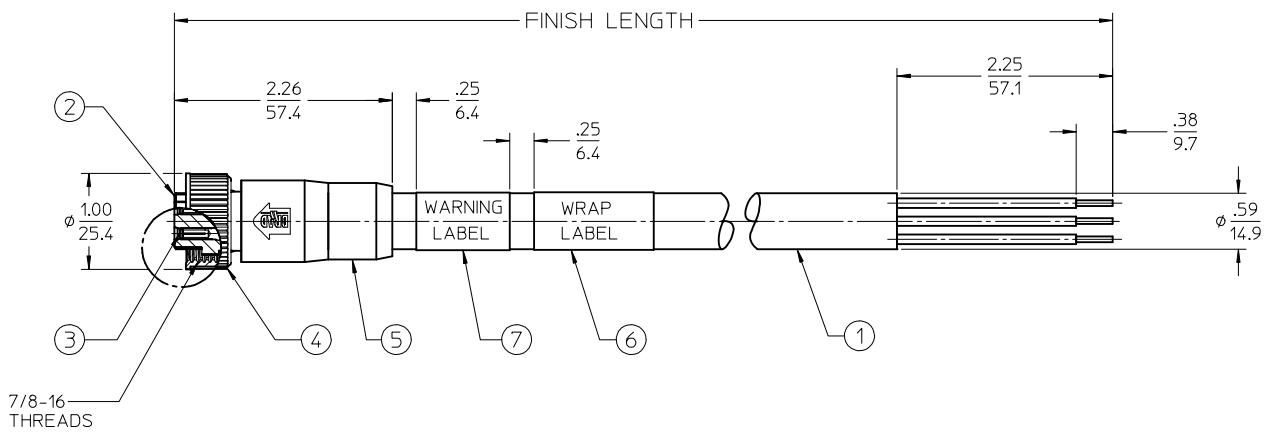
S1	BLACK
1	WHITE
2	RED
3	GREEN/YELLOW

WIRING DIAGRAM

PART NUMBER LEGEND

104100A56MXXX

MC 4P SE, FEMALE, ALT KEY ——— FINISHED LENGTH:
 CABLE TYPE: 14 AWG TC ER ——— M001= .1M
 M010= 1.0M
 M100= 10.0M



NOTES:

- 1) MATERIAL: SEE TABLE
- 2) FINISHES: SEE TABLE
- 3) WRAP LABEL IS MARKED WITH P/N, DATE CODE VOLTAGE & AMPERAGE
- 4) MATES WITH: MINI CHANGE ALT-KEY, 4 POLE RECEPTACLE
- 5) ELECTRICAL DATA:
 14AWG UL TYPE: TC-ER/STOOW STRANDED CABLE
 POLES: 4
 MAX VOLTAGE: 600V
 MAX CURRENT: 15A
 PROTECTION IP67
 TEMPERATURE RANGE: -20°C TO 90°C
- 6) PACKAGING:
 CABLE ASSEMBLIES ARE BAGGED SEPERATLY IN POLY BAGS WITH BAR CODE LABEL ATTACHED TO OUTSIDE OF BAG.
- 7) ASSEMBLY IS RoHS COMPLIANT
- 8) AGENCY CERTIFICATIONS:
 UL 2237 LISTED, E258922
9. ALL DIMS. SHOWN ARE FOR REFERENCE ONLY

7	1	WARNING LABEL	VINYL	ORANGE/BLACK
6	1	WRAP LABEL	VINYL	BLACK/YELLOW
5	1	OVERMOLD	PVC	BLACK
4	1	FEMALE COUPLING NUT	ZINC ALLOY	BLACK
3	4	SOCKET CONTACT	CU ALLOY	GOLD PLATE
2	1	FEMALE INSERT	PVC	BLACK
1	SEE LEGEND	CABLE	PVC	BLACK
ITEM	QTY	DESCRIPTION	MATERIAL	FINISH

RELEASED	EC NO: IPG2015-0374	2014/08/28
DRWRNSTONE	2014/09/08	
CHKDK JOZWIK	2014/09/08	
APPR: JFMURPHY	2014/09/27	
DESCRIPTION		

QUALITY SYMBOLS	GENERAL TOLERANCES (UNLESS SPECIFIED)
▽=0	mm INCH
▽=0	4 PLACES ± --- ± ---
	3 PLACES ± --- ± ---
	2 PLACES ± --- ± .01
	1 PLACE ± 0.3 ± ---
	0 PLACE ± --- ± ---
	ANGULAR ± --- °
	DRAFT WHERE APPLICABLE MUST REMAIN WITHIN DIMENSIONS

DIMENSION STYLE		SCALE	DESIGN UNITS	THIRD ANGLE PROJECTION
IN/MM		1:1	INCH	
DRAWN BY	DATE	TITLE		
RSTONE	2014/08/28	MC 4P FP ST		
CHECKED BY	DATE	14/4 TC ER, ALT KEY		
K JOZWIK	2014/09/08			
APPROVED BY	DATE			
JFMURPHY	2014/09/27			
MATERIAL NO.	DOCUMENT NO.	SHEET NO.		
---	SD-130061-023	1 OF 1		