

THIS DRAWING IS UNPUBLISHED. RELEASED FOR PUBLICATION

© COPYRIGHT - TE Connectivity Ltd.

ALL RIGHTS RESERVED.

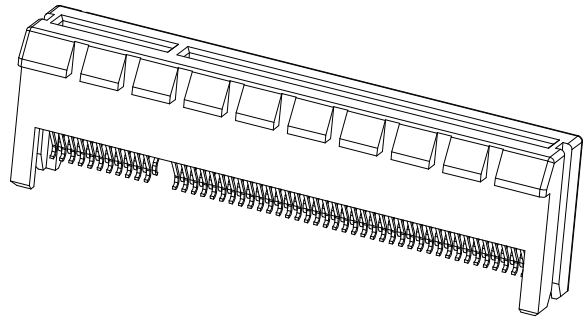
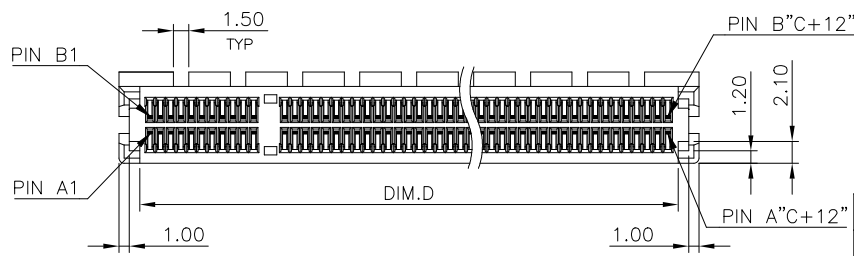
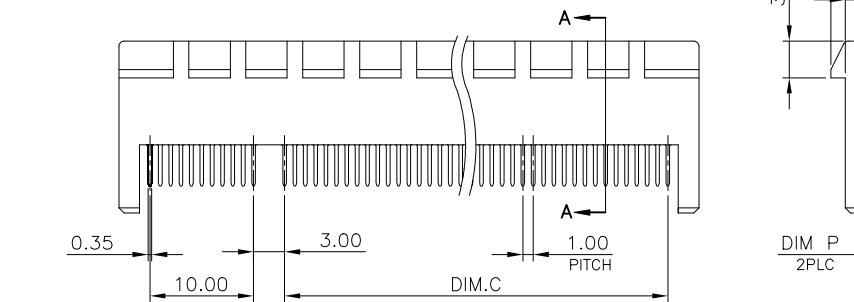
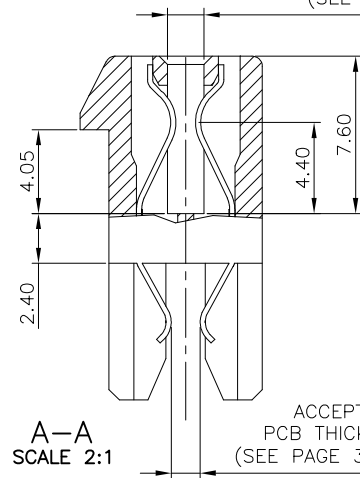
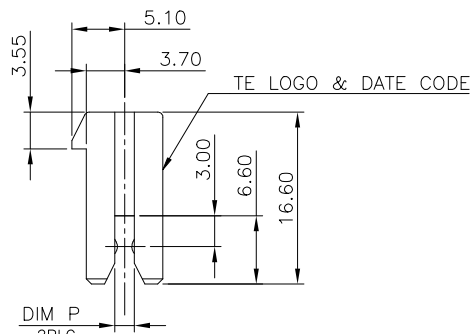
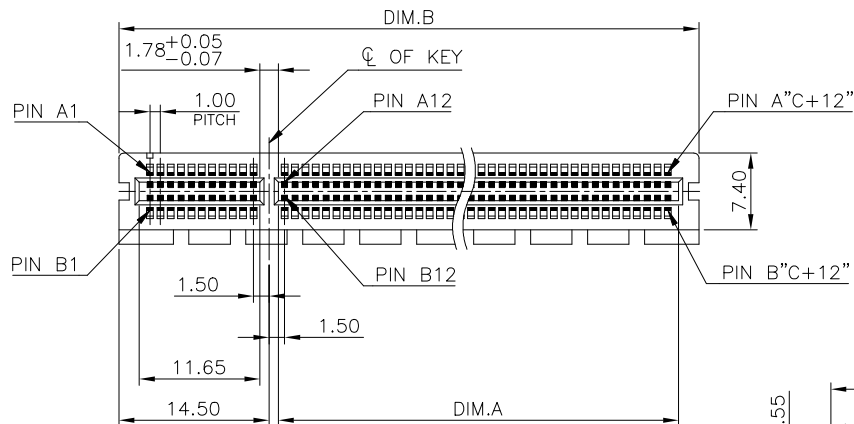
REVISIONS

P	LTR	DESCRIPTION	DATE	DWN	APVD
B		ECR-17-013893	10JAN2018	FL	HL

NOTE:

- MATERIAL:
HOUSING: PA9T WITH 30% GF, UL94 V-0, COLOR: SEE TABLE.
CAP: LCP WITH 30% GF, UL94 V-0, COLOR: BLACK.
CONTACTS: PHOSPHOR BRONZE.
- FINISH:
CONTACTS:
GOLD PLATING (SEE TABLE) ON CONTACT AREA.
2.54um [100u"] MIN. MATTE-TIN ON SOLDER TAIL.
1.27um [50u"] MIN. NICKEL UNDERPLATED OVERALL.
- REFLOW SOLDER CAPABLE TO 260°C PER TEST SPEC. TEC-109-201, CONDITION B.
⚠ STRADDLE MOUNT PCB THICKNESS OPTION.
⚠ FOR REFLOW PROCESS, THE CAP MUST BE ATTACHED, IT WILL PROTECT HOUSING WARPAGE.

ACCEPTED ADD-IN CARD
PCB THICKNESS = 1.57mm
(SEE PAGE 3)



11.10	85	70.0	89	71.65	2.00	1.80 [0.071"]	0.762um[30u"]	BLACK	164	2041313-4
3.20	21	6.0	25	7.65					36	2041313-1
NET WEIGHT(g)	DIM D	DIM C	DIM B	DIM A	DIM P	ACCEPTED PCB THICKNESS ⚠	MIN. GOLD THICKNESS	HOUSING COLOR	POS.	PART NUMBER

THIS DRAWING IS A CONTROLLED DOCUMENT.

DIMENSIONS: mm	TOLERANCES UNLESS OTHERWISE SPECIFIED: 0 PLC ± - 1 PLC ± 0.3 2 PLC ± 0.2 3 PLC ± 0.15 4 PLC ± - ANGLES ± 3'	DWN E. LIU 11MAR2011	TE Connectivity Ltd. PCI EXPRESS CARD EDGE CONNECTOR STRADDLE MOUNT TYPE
		CHK S. CHIEN 11MAR2011	
MATERIAL SEE NOTE	FINISH SEE NOTE	APVD W. KODAMA 11MAR2011	
		NAME 108-57854 APPLICATION SPEC	
		WEIGHT 0	SIZE A3
		CUSTOMER DRAWING	CAGE CODE 00779
			DRAWING NO C=2041313
			RESTRICTED TO
			SCALE 1:1
			SHEET 1 OF 4
			REV B

4

3

2

1

THIS DRAWING IS UNPUBLISHED.

RELEASED FOR PUBLICATION

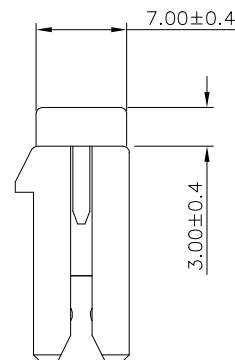
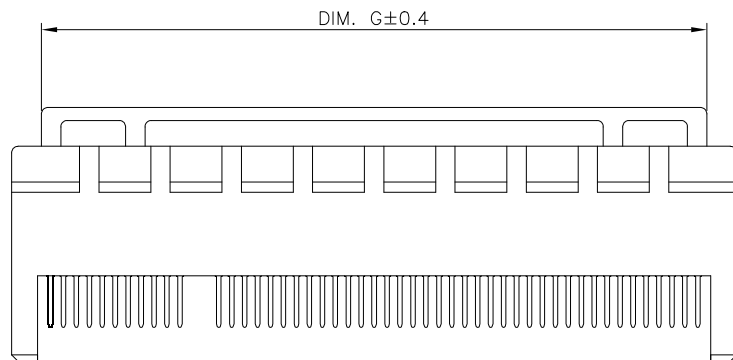
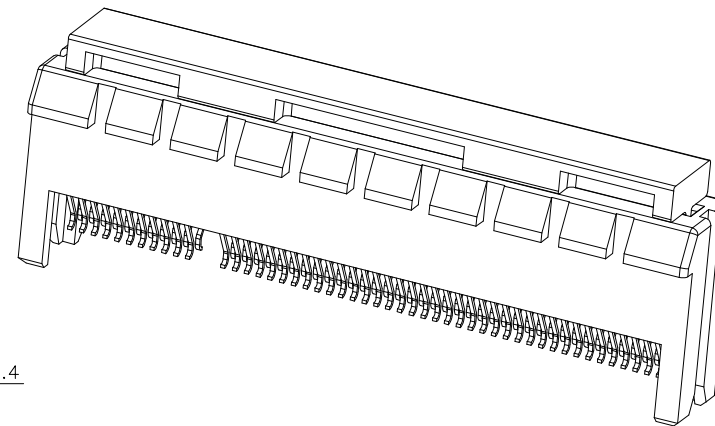
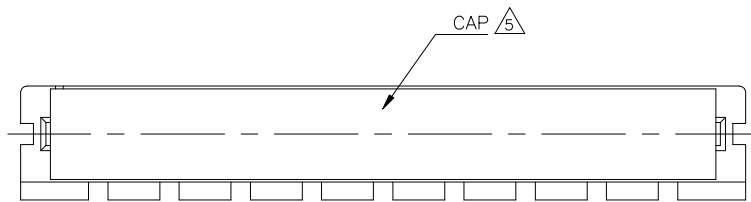
-. - .

© COPYRIGHT - TE Connectivity Ltd.

ALL RIGHTS RESERVED.

REVISIONS

P	LTR	DESCRIPTION	DATE	DWN	APVD
-	-	SEE SHEET 1	-	-	-

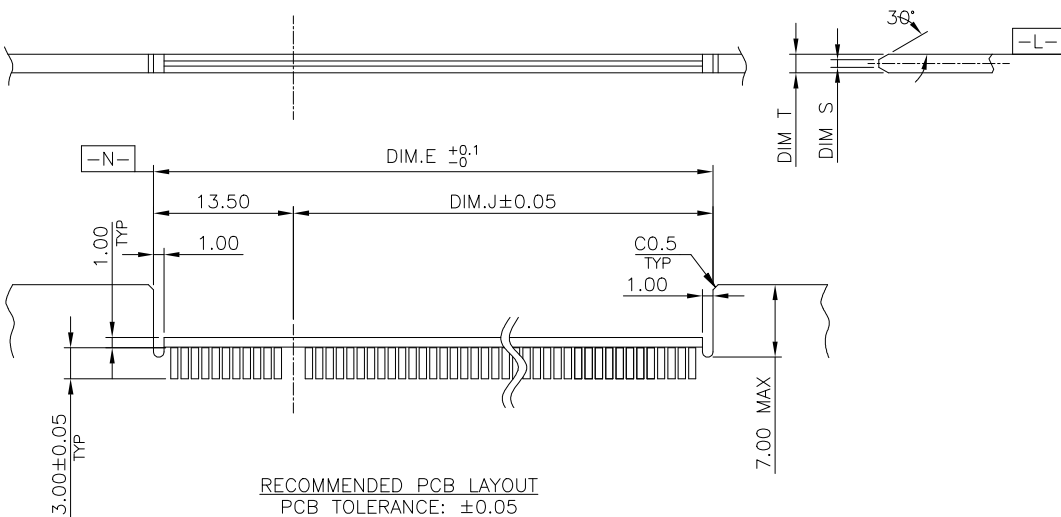
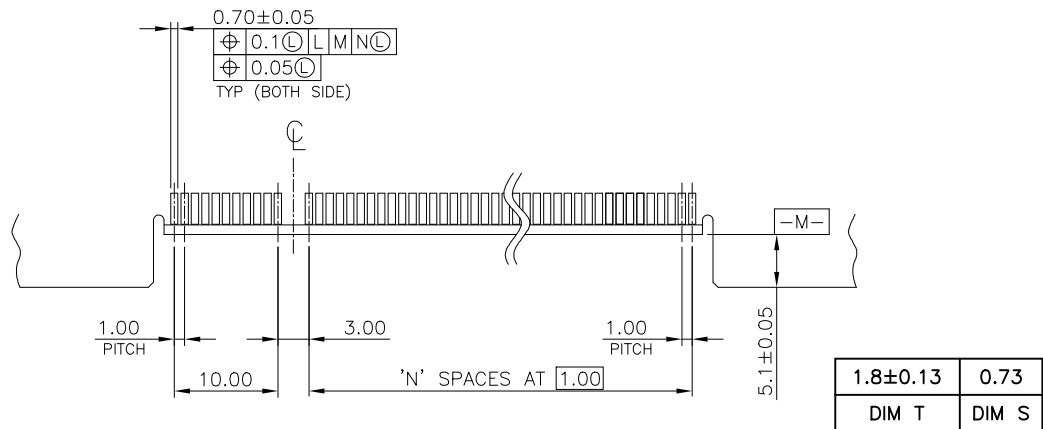


5 ASSEMBLY WITH CAP CONDITION

164	84.4
36	20.4
POS.	DIM G

THIS DRAWING IS A CONTROLLED DOCUMENT.		DWN E. LIU 11MAR2011	TE TE Connectivity Ltd.			
		CHK S. CHIEN 11MAR2011				
DIMENSIONS: mm		APVD W. KODAMA 11MAR2011	NAME PCI EXPRESS CARD EDGE CONNECTOR STRADDLE MOUNT TYPE			
TOLERANCES UNLESS OTHERWISE SPECIFIED:		PRODUCT SPEC 108-57854	APPLICATION SPEC			
<ul style="list-style-type: none"> 0 PLC ± - 1 PLC ± 0.3 2 PLC ± 0.2 3 PLC ± 0.15 4 PLC ± - ANGLES ± 3' 		SIZE A3	CAGE CODE 00779	DRAWING NO C=2041313	RESTRICTED TO -	
MATERIAL SEE NOTE		WEIGHT 0	SCALE 1:1		SHEET 2 OF 4	REV B
		CUSTOMER DRAWING				

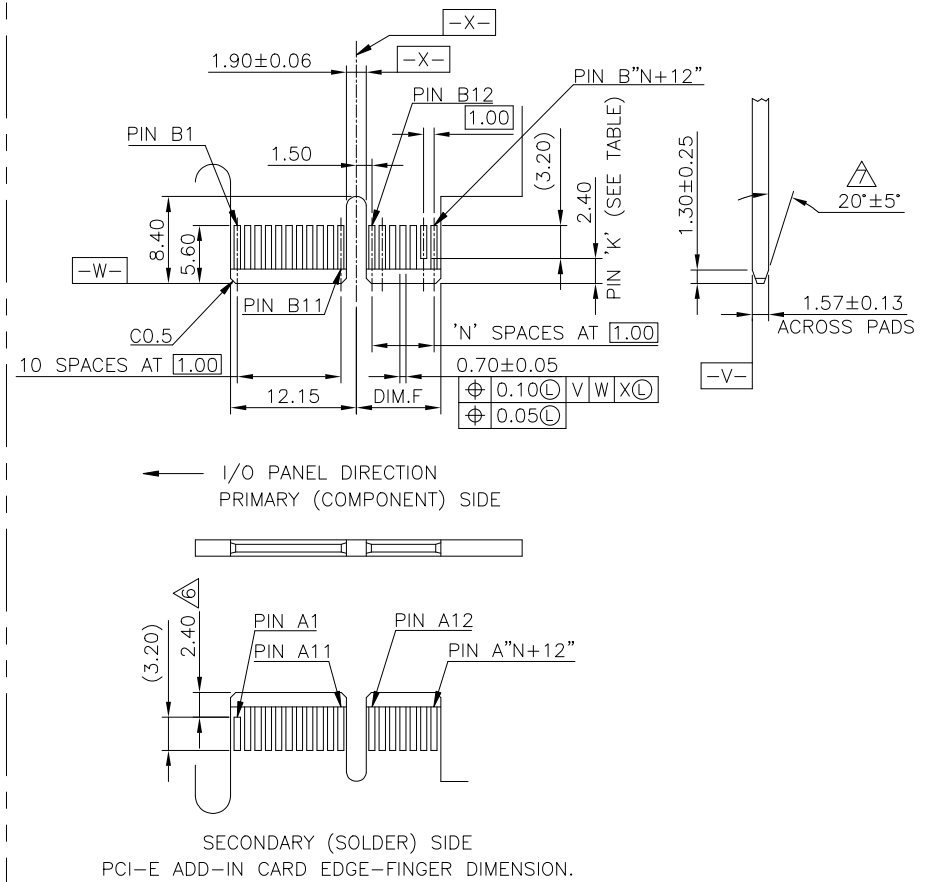
THIS DRAWING IS UNPUBLISHED. RELEASED FOR PUBLICATION
 © COPYRIGHT - TE Connectivity Ltd. ALL RIGHTS RESERVED.



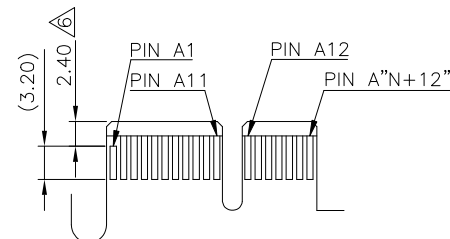
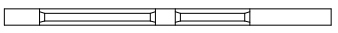
RECOMMENDED PCB LAYOUT
 PCB TOLERANCE: ±0.05

- ⚠ NO TIE BAR PERMITTED FROM CARD EDGE TO LEADING EDGE OF PAD FOR PINS A1 AND "K"
- ⚠ CHAMFER EDGE MUST BE FREE OF CUTTING BURRS

REVISIONS					
P	LTR	DESCRIPTION	DATE	DWN	APVD
-	-	SEE SHEET 1	-	-	-




I/O PANEL DIRECTION
 PRIMARY (COMPONENT) SIDE



SECONDARY (SOLDER) SIDE
 PCI-E ADD-IN CARD EDGE-FINGER DIMENSION.

164	70	87	73.5	72.15	B17, B31, B48, B81
36	6	23	9.	8.15	B17
POS	N	DIM E	DIM J	DIM F	"K"

THIS DRAWING IS A CONTROLLED DOCUMENT.

DWN E. LIU 11MAR2011	 TE Connectivity Ltd.
CHK S. CHIEN 11MAR2011	
APVD W. KODAMA 11MAR2011	
NAME	
PRODUCT SPEC 108-57854	PCI EXPRESS CARD EDGE CONNECTOR STRADDLE MOUNT TYPE
APPLICATION SPEC	
WEIGHT 0	SIZE A3
CUSTOMER DRAWING	CAGE CODE 00779
	DRAWING NO C=2041313
	RESTRICTED TO
	SCALE 1:1
	SHEET 3 OF 4
	REV B

4

3

2

1

THIS DRAWING IS UNPUBLISHED.

RELEASED FOR PUBLICATION

- . - .

© COPYRIGHT - TE Connectivity Ltd.

ALL RIGHTS RESERVED.

REVISIONS

P	LTR	DESCRIPTION	DATE	DWN	APVD
-	-	SEE SHEET 1	-	-	-

1. MATERIAL :
 TRAY: PVC, COLOR: TRANSPARENT.
 CARTON: CORRUGATED FIBER
 BOX: CORRUGATED FIBER
 TRANSPARENT BAG: PE, SIZE: 480mm*350mm*0.06mm
 600mm*590mm*0.06mm

2. EACH BAG SHALL BE INCLUDED:
 * DESICCANT

THIS DRAWING IS A CONTROLLED DOCUMENT.

DWN 11MAR2011

E. LIU

CHK 11MAR2011

S. CHIEN

APVD 11MAR2011

W. KODAMA

PRODUCT SPEC

108-57854

APPLICATION SPEC

-

WEIGHT 0

CUSTOMER DRAWING

11MAR2011

NAME

PCI EXPRESS CARD EDGE CONNECTOR
STRADDLE MOUNT TYPE

SIZE

A3

CAGE CODE

00779

DRAWING NO

C=2041313

RESTRICTED TO

-

SCALE 1:1

SHEET 4 OF 4

REV B

DIMENSIONS:

mm

TOLERANCES UNLESS
OTHERWISE SPECIFIED:

0 PLC	± -
1 PLC	± -
2 PLC	± -
3 PLC	± -
4 PLC	± -
ANGLES	± -

MATERIAL
SEE NOTEFINISH
SEE NOTE

1470-19 (1/15)