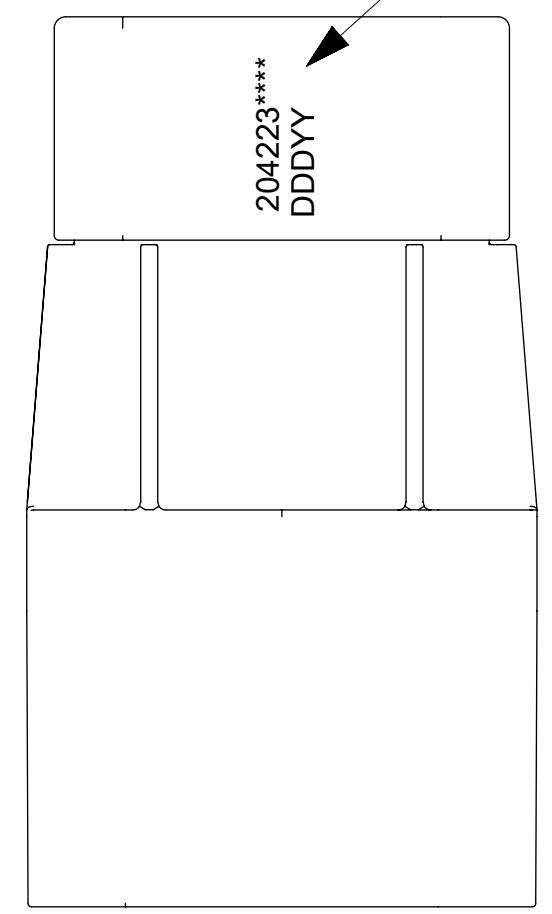
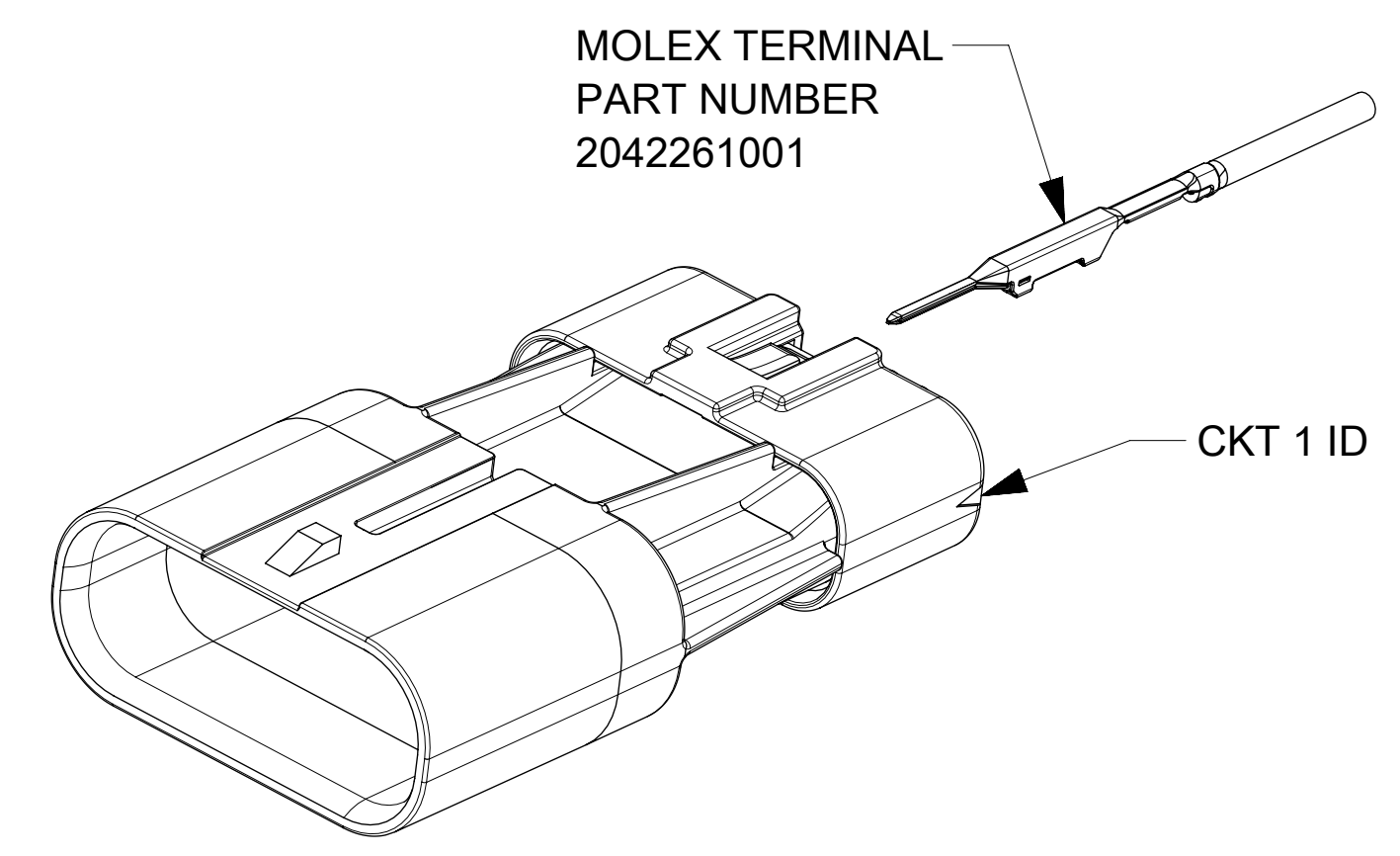
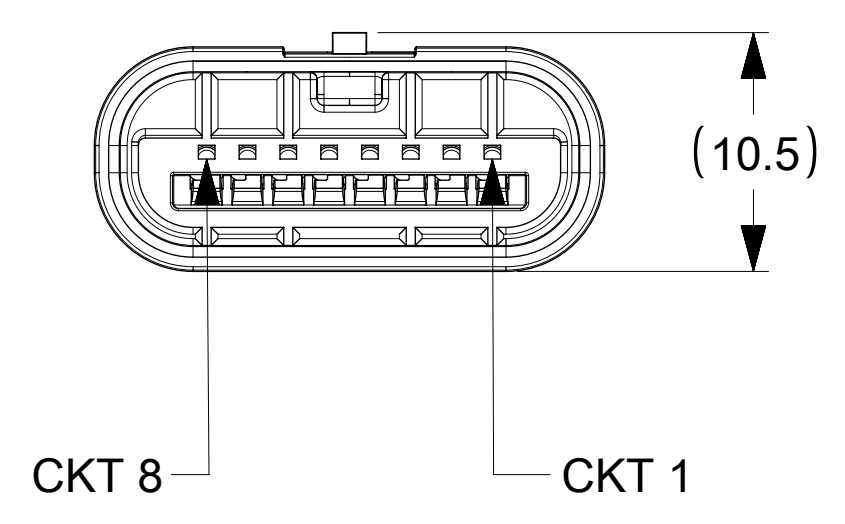


SECTION A-A

LASER MARKED THIS SURFACE WITH MOLEX PART NUMBER AND JULIAN DATE CODE: DDDYY



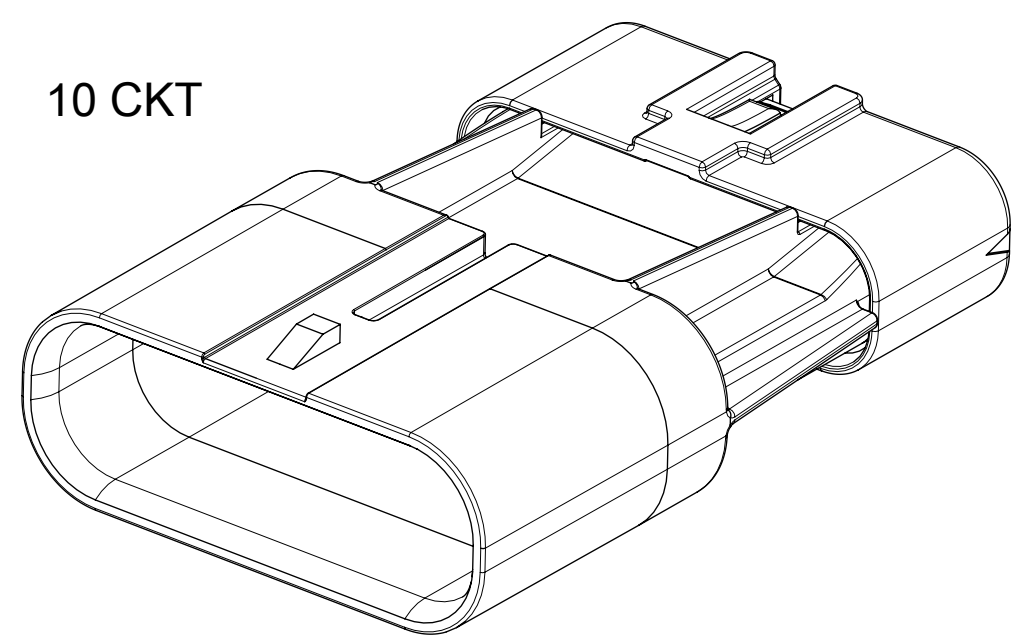
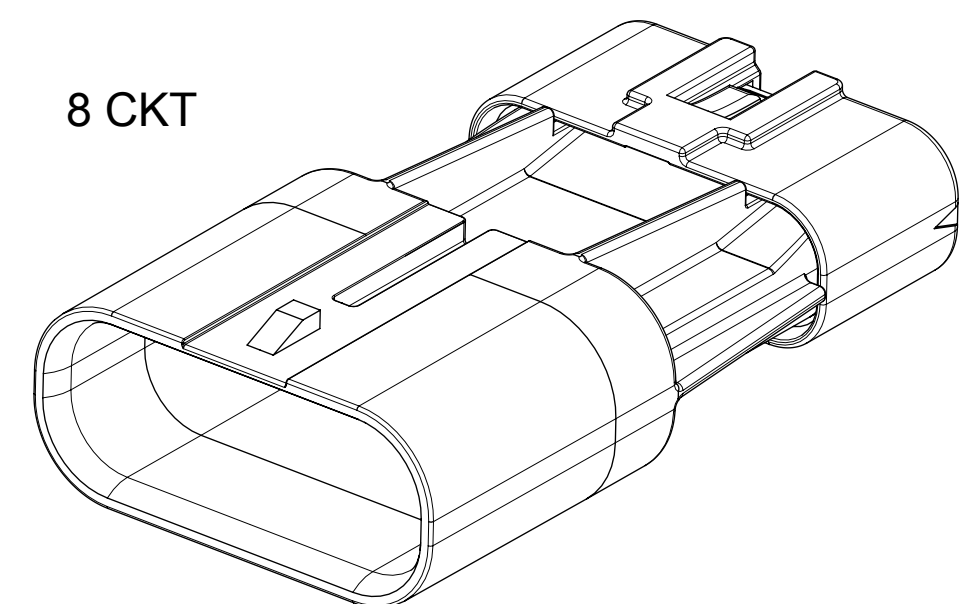
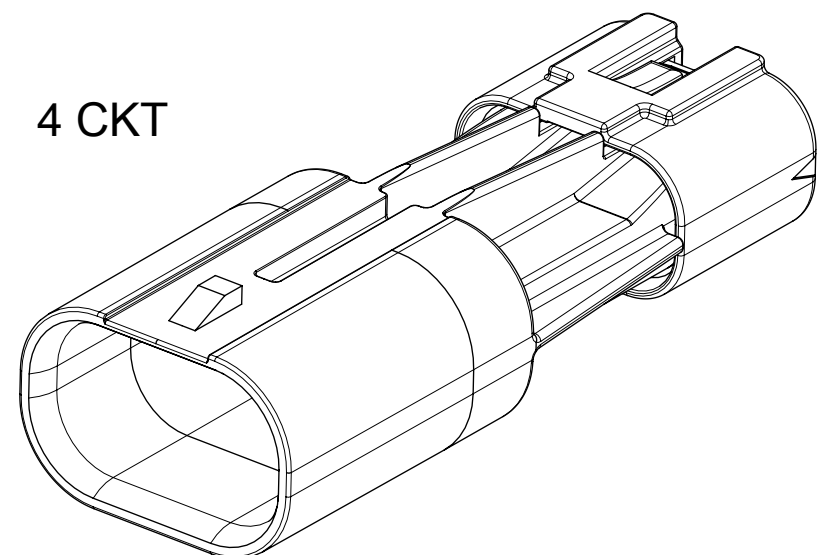
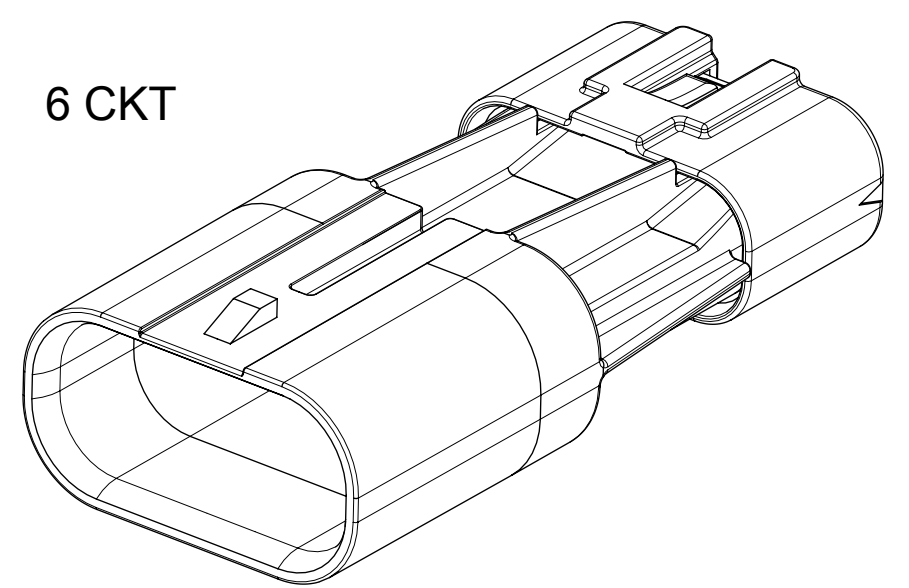
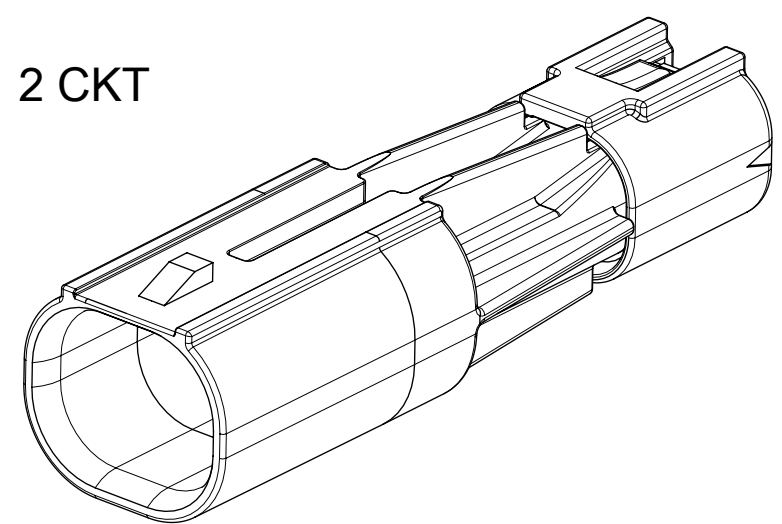
- NOTES:
- MATERIAL:  
HOUSING & REAR SEAL CAP: NYLON, UL94V-0, BLACK  
SEALS: INHERENTLY LUBRICATED SILICONE
  - FINISH: NONE
  - PRODUCT SPECIFICATION: 2042200000-PS
  - APPLICATION SPECIFICATION: 2042200000-AS
  - (B1) PACKAGING SPECIFICATION: 2042230000-PK, 2042230100-PK
  - THIS PART MATES WITH RECEPTACLE SERIES 204220.
  - THIS PART USES TERMINAL PART NUMBER 2042261001.
  - THIS PART CONFORMS TO CLASS 'C' REQUIREMENTS OF COSMETIC SPECIFICATION PS-45499-002.
  - VOIDED CIRCUITS HAVE A PLUG IN THE MATTE SEAL TO SEAL THE CIRCUIT AND WILL NOT ACCEPT TERMINALS.
  - THE 7MM CLIP SLOT CONFORMS TO EWCAP-005 REV D



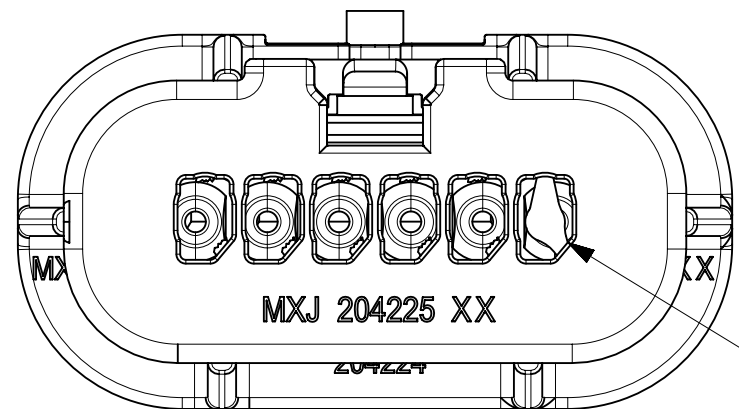
CIRCUIT SIZE	DIM A
2	11.7
4	15.3
6	18.9
8	22.5
10	26.1

THIS DRAWING CONTAINS INFORMATION THAT IS PROPRIETARY TO MOLEX ELECTRONIC TECHNOLOGIES, LLC AND SHOULD NOT BE USED WITHOUT WRITTEN PERMISSION											
FUNCTIONAL SYMBOLS	DIMENSION UNITS	SCALE	CURRENT REV DESC:								
$\nabla_A = 0$	mm	3:1	EC NO: 724638 DRWN: VENKAS5 2022/10/13 CHK'D: VENKAS5 2022/10/13 APPR: MRAMAKRISHNA 2022/10/19 INITIAL REVISION: DRWN: TGREGORI 2017/05/03 APPR: RHODGE 2018/01/26								
$\nabla_C = 0$	GENERAL TOLERANCES (UNLESS SPECIFIED)										
$\nabla_P = 0$	ANGULAR TOL $\pm$ °										
DIVISIONAL SYMBOLS	4 PLACES $\pm$		PRODUCT CUSTOMER DRAWING								
	3 PLACES $\pm$		DOCUMENT NUMBER								
	2 PLACES $\pm$		2042230000-SD								
	1 PLACE $\pm$ 0.2		DOC TYPE			DOC PART			REVISION		
	0 PLACES $\pm$		PSD			000			B1		
DRAFT WHERE APPLICABLE MUST REMAIN WITHIN DIMENSIONS		THIRD ANGLE PROJECTION	DRAWING	SERIES	MATERIAL NUMBER	CUSTOMER	SHEET NUMBER				
			C-SIZE	204223	SEE TABLE	GENERAL MARKET	1 OF 3				

CIRCUIT SIZE	MATERIAL NUMBER	VOIDED CIRCUIT SEE NOTE 9	CLIP SLOT VERSION
2	204223-0002	NONE	NO
4	204223-0004	NONE	NO
6	204223-0006	NONE	NO
8	204223-0008	NONE	NO
10	204223-0010	NONE	NO
2	204223-9902	ALL CIRCUITS VOIDED	NO
4	204223-9904	ALL CIRCUITS VOIDED	NO
6	204223-9906	ALL CIRCUITS VOIDED	NO
8	204223-9908	ALL CIRCUITS VOIDED	NO
10	204223-9910	ALL CIRCUITS VOIDED	NO
4	204223-4004	4	NO
6	204223-6006	6	NO
8	204223-8008	8	NO
10	204223-1110	10	NO
8	204223-9808	1,2,5,6	NO
8	204223-9708	5	NO
8	204223-9608	3,6	NO
2	204223-0102	NONE	YES
4	204223-0104	NONE	YES
6	204223-0106	NONE	YES
8	204223-0108	NONE	YES
10	204223-0110	NONE	YES



AVAILABLE CIRCUIT SIZES

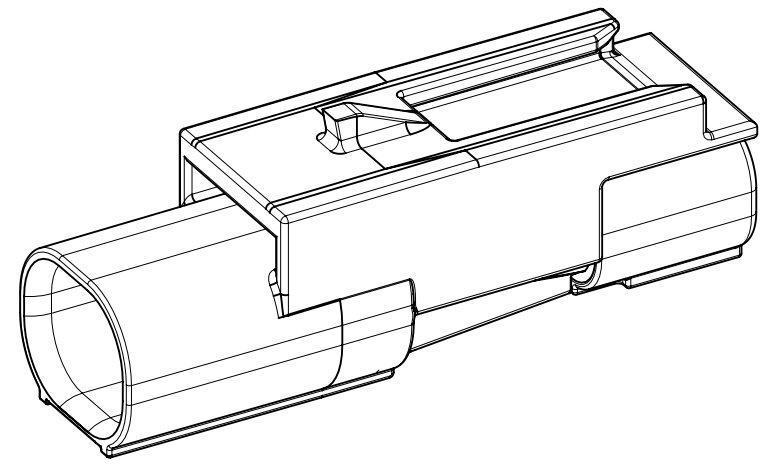


VOIDED CIRCUIT(S)  
HAVE PLUG(S) PRESENT  
SEE NOTE 9

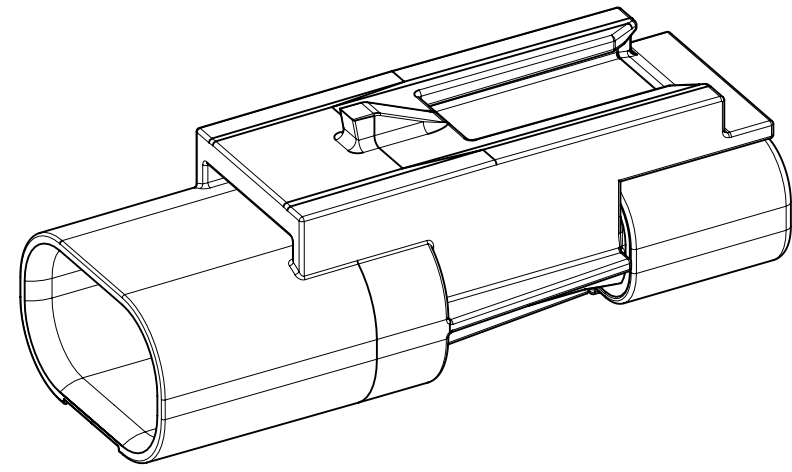
<b>FUNCTIONAL SYMBOLS</b> $\nabla_A = 0$ $\nabla_C = 0$ $\nabla_P = 0$ <b>DIVISIONAL SYMBOLS</b> 4 PLACES $\pm$ 3 PLACES $\pm$ 2 PLACES $\pm$ 1 PLACE $\pm 0.2$ 0 PLACES $\pm$	THIS DRAWING CONTAINS INFORMATION THAT IS PROPRIETARY TO MOLEX ELECTRONIC TECHNOLOGIES, LLC AND SHOULD NOT BE USED WITHOUT WRITTEN PERMISSION DIMENSION UNITS: <b>mm</b> SCALE: <b>3:1</b>		CURRENT REV DESC: EC NO: 724638 DRWN: VENKAS5    2022/10/13 CHK'D: VENKAS5    2022/10/13 APPR: MRAMAKRISHNA    2022/10/19						
	GENERAL TOLERANCES (UNLESS SPECIFIED) ANGULAR TOL $\pm$ °		PRODUCT CUSTOMER DRAWING						
	DRAFT WHERE APPLICABLE MUST REMAIN WITHIN DIMENSIONS		THIRD ANGLE PROJECTION		DRAWING: <b>C-SIZE</b> SERIES: <b>204223</b>		DOCUMENT NUMBER: <b>2042230000-SD</b> DOC TYPE: <b>PSD</b> DOC PART: <b>000</b> REVISION: <b>B1</b>		
					MATERIAL NUMBER: <b>SEE TABLE</b> CUSTOMER: <b>GENERAL MARKET</b>		SHEET NUMBER: <b>2 OF 3</b>		

CONFIGURATIONS  
SCALE : 3:1

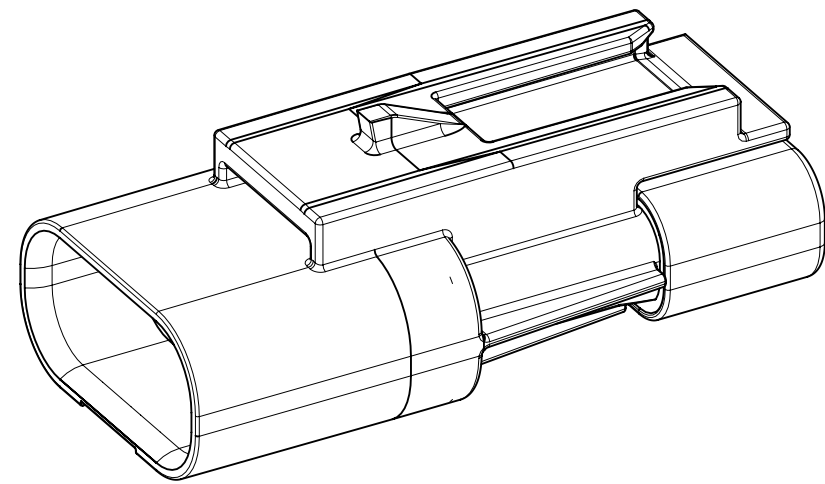
CIRCUIT SIZE	DIM A
2	11.7
4	15.3
6	18.9
8	22.5
10	26.1



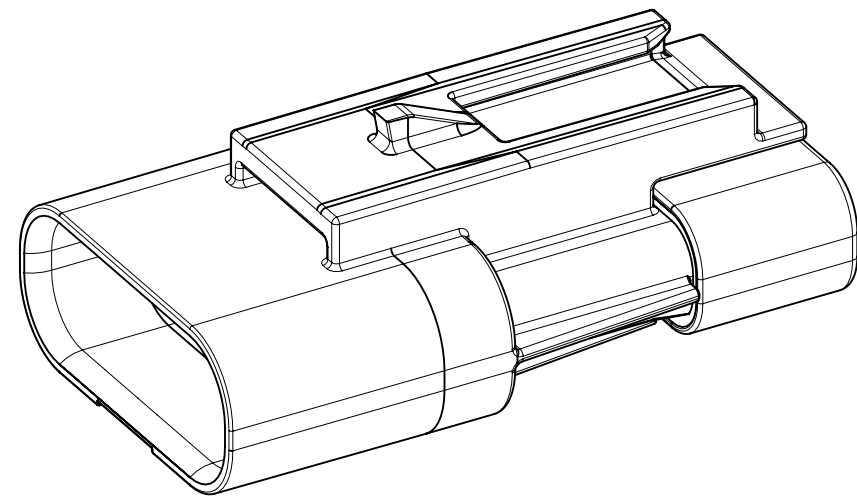
2 CIRCUIT



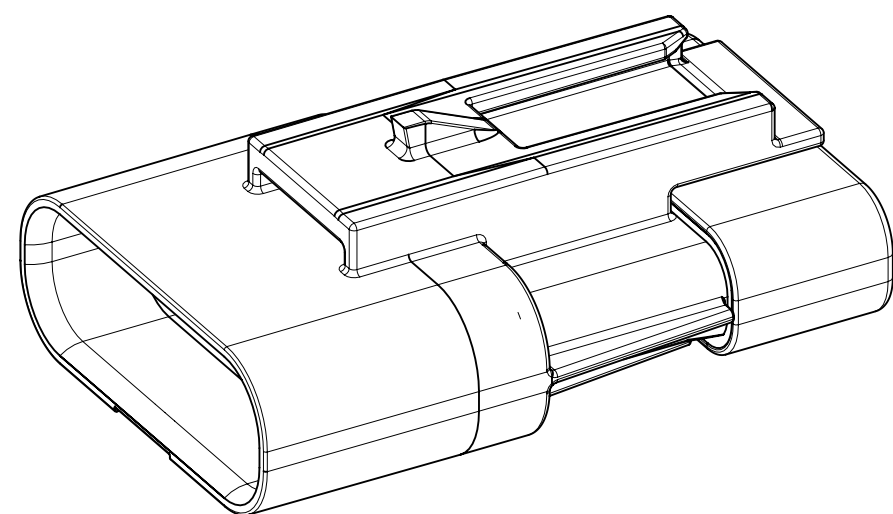
4 CIRCUIT



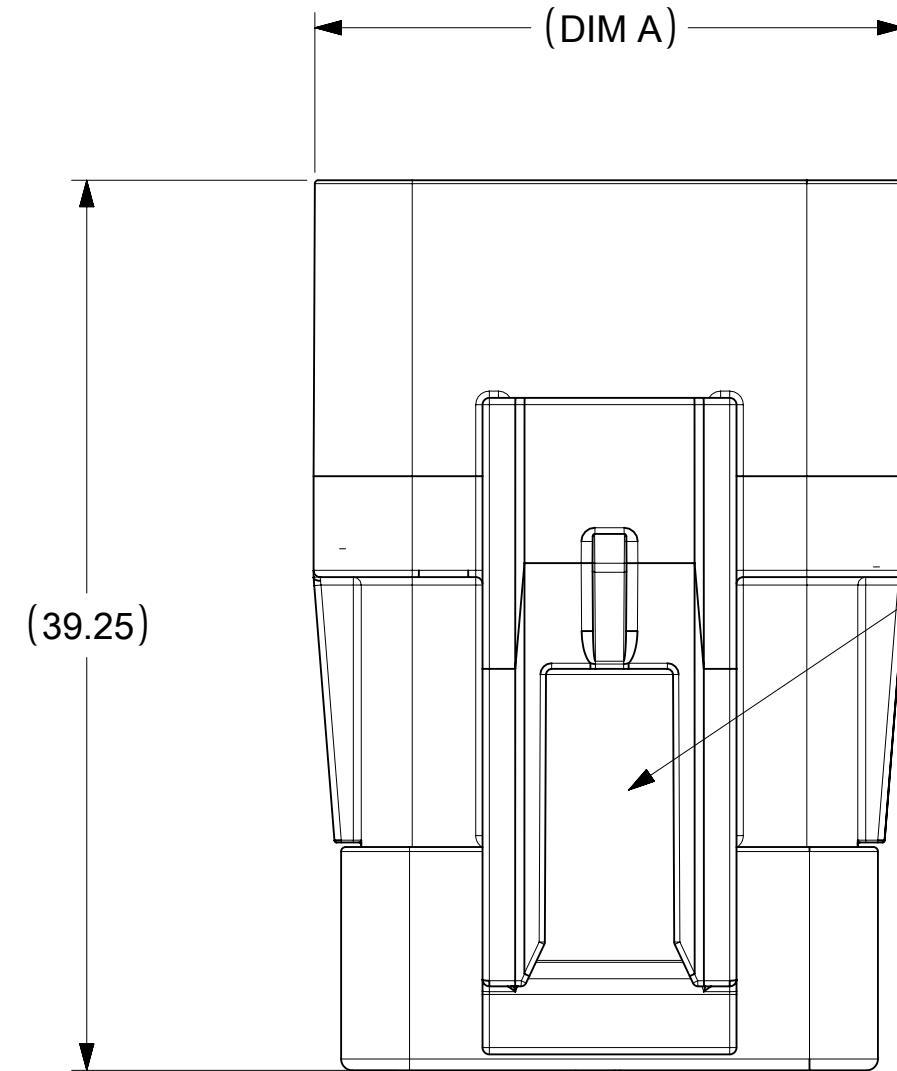
6 CIRCUIT



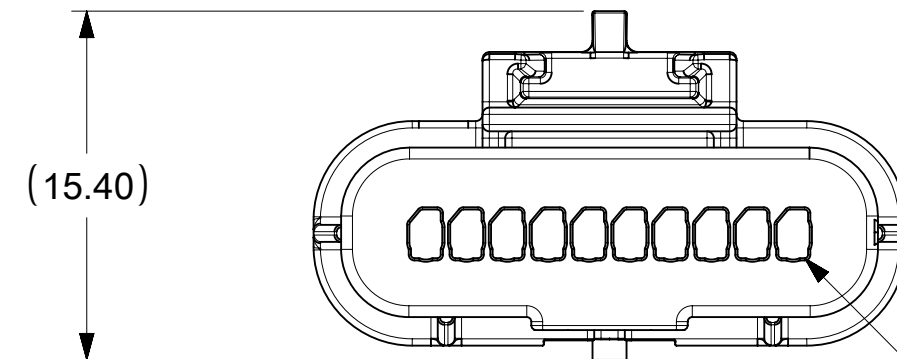
8 CIRCUIT



10 CIRCUIT

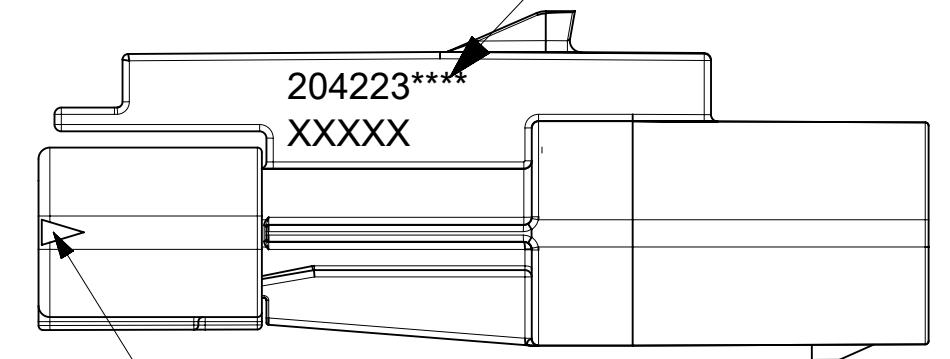


EWCAP-005 7MM CLIP SLOT



CKT 1

LASER MARKED THIS SURFACE WITH  
MOLEX PART NUMBER AND  
JULIAN DATE CODE: DDDYY



204223\*\*\*\*  
XXXXX

CKT 1 ID

FUNCTIONAL SYMBOLS	THIS DRAWING CONTAINS INFORMATION THAT IS PROPRIETARY TO MOLEX ELECTRONIC TECHNOLOGIES, LLC AND SHOULD NOT BE USED WITHOUT WRITTEN PERMISSION														
	DIMENSION UNITS	SCALE	CURRENT REV DESC:												
$\frac{F}{A} = 0$	mm	3:1	EC NO: 724638												
$\frac{E}{C} = 0$	GENERAL TOLERANCES (UNLESS SPECIFIED)		DRWN: VENKAS5 2022/10/13							PLUG ASSEMBLY SQUBA 1.8					
$\frac{E}{P} = 0$	ANGULAR TOL ± °		CHK'D: VENKAS5 2022/10/13												
DIVISIONAL SYMBOLS	4 PLACES ±		APPR: MRAMAKRISHNA 2022/10/19							PRODUCT CUSTOMER DRAWING					
	3 PLACES ±		INITIAL REVISION:							DOCUMENT NUMBER					
	2 PLACES ±		DRWN: TGREGORI 2017/05/03							2042230000-SD					
	1 PLACE ± 0.2		APPR: RHODGE 2018/01/26							PSD 000 B1					
0 PLACES ±		DRAFT WHERE APPLICABLE MUST REMAIN WITHIN DIMENSIONS		THIRD ANGLE PROJECTION		DRAWING		SERIES		MATERIAL NUMBER		CUSTOMER		SHEET NUMBER	
						C-SIZE		204223		SEE TABLE		GENERAL MARKET		3 OF 3	