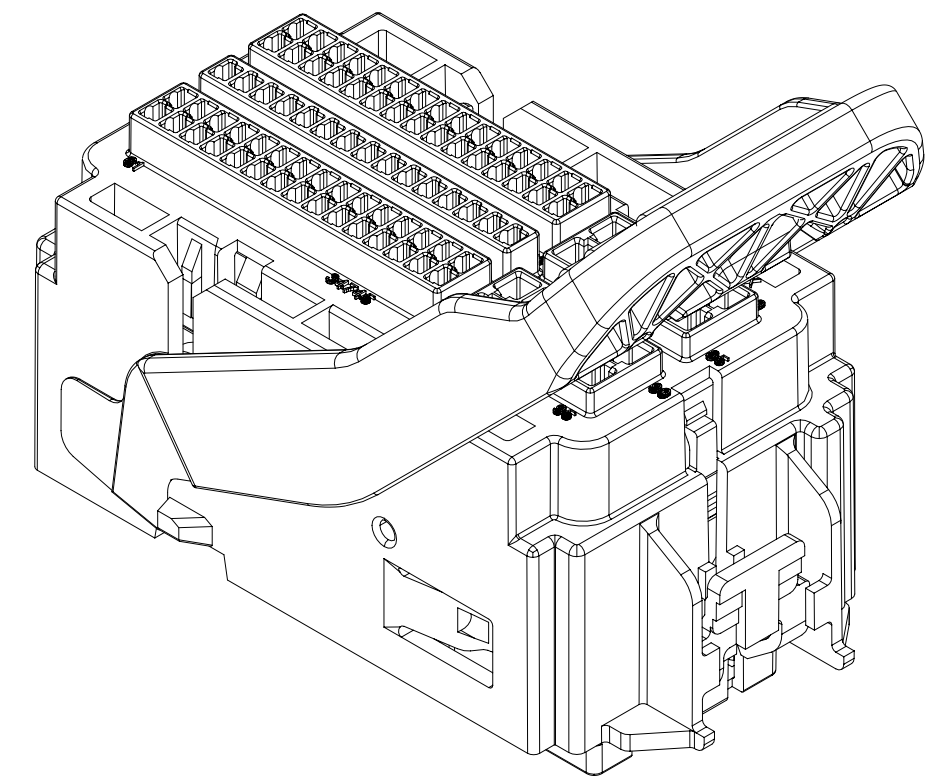


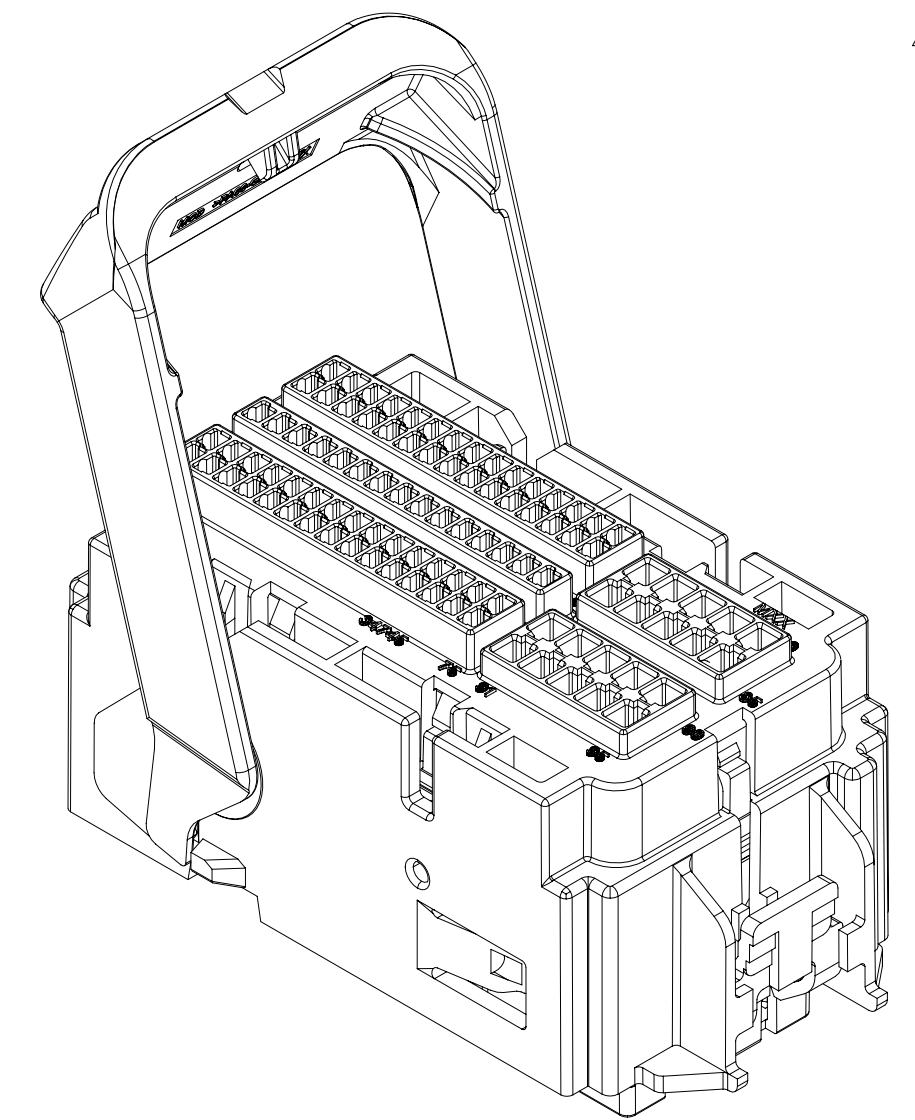
SHEET NO.	SHEET DESCRIPTION
1	NOTES AND BOM
2	CONFIGURATIONS
3	POLARIZATIONS
4	WIRE DRESS COVER CONFIGURATION
5	AS RECEIVED AT HARNESS ASSEMBLY
6-7	AS RECEIVED AT VEHICLE ASSEMBLY
8	RCPT PACKAGING

NOTES: VALID UNLESS OTHERWISE SPECIFIED

1. GENERAL:
- a. APPLICATION SPECIFICATION SEE: AS-34992-001
 - CONTAINS: PRODUCT INTRODUCTION, PRODUCT SUMMARY, CONNECTOR ASSEMBLY, PACKAGING INFORMATION, CONNECTOR MATING, SERVICE INSTRUCTIONS, ELECTRICAL CONTINUITY CHECKING, CRIMPING, AND TROUBLESHOOTING.
 - DESIGNED TO MATE WITH DEVICE INTERFACE AS SPECIFIED IN MATING INTERFACE CHART
 - b. PRODUCT SPECIFICATION SEE: 2052510001-PS
 - CONTAINS: PRODUCT INTRODUCTION, PRODUCT SUMMARY, RATINGS (CURRENT, TEMPERATURE, SEALING, AND FLAMMABILITY), AND PRODUCT VALIDATION.
 - c. PACKAGING SPECIFICATION PER MOLEX DRAWING: 2052516001-PK
 - d. PARTS MUST BE IN COMPLIANCE TO MOLEX CHEMICAL SUBSTANCES FOR PRODUCTS AND PACKAGING SPECIFICATION: QEHS-699000-300
 - e. DATA MUST BE SUBMITTED UNDER THE MOLEX PART NUMBER TO IMDS (COMPANY ID#13255)
2. DESIGN - MATERIALS:
- a. SEE BOM TABLE IN 2052510002-SD PSD.
3. DESIGN - GEOMETRY:
- a. ALL GRAPHIC DATA IS BASIC (NO TOLERANCE) AND MUST BE TAKEN FROM THE DATA FILE AT ITS LATEST REVISION.
 - b. GEOMETRIC DIMENSIONS AND TOLERANCES PER ASME Y14.5M-2009
 - c. EDGES AND UNDIMENSIONED DETAILS PER ISO13715
 - d. CORNERS SHOWN AS SHARP TO BE R 0.2 MAX.
 - e. LETTERING SHALL BE 0.15 MAX RAISED IN 0.25 MAX RECESS PAD. THIS INCLUDES RECYCLING CODE, CAVITY ID, VENDOR IDENTIFICATION, AND CUSTOMER MATERIAL NUMBER.
 - f. VISUAL DEFECTS SHALL MEET COSMETIC STANDARD PS-45499-002 (Class B).
 - g. LASER MARKING:
 - SOURCE IDENTIFICATION MARK, PRODUCT DATE CODE AND CUSTOMER PART NUMBER MUST BE PERMANENTLY APPLIED ON THE PART WITH 1.5mm MINIMUM LETTER SIZE FROM THE BOTTOM TO THE TOP OF THE CHARACTERS AND LEGIBLE WHEREVER PACKAGE SIZE PERMITS OR OTHER AGREEMENTS ARE MADE.
 - DATE CODE DESCRIPTION:
 - 1ST THRU 3RD DIGIT = "DAY #" OF THE CALENDAR YEAR. (EXAMPLE: FEB. 3RD = "034")
 - LAST DIGIT = LAST DIGIT OF THE CALENDAR YEAR. (EXAMPLE: 2006 = "6")
 - SERIAL NUMBER DESCRIPTION:
 - STARTS AT "00001" AND IS RESET WHEN IT REACHES "999999".
 - CUSTOMER PART NUMBER:
 - SEE TABLE (USE MOLEX PART NUMBER IF CUSTOMER NUMBER IS NOT DEFINED).
4. MXCD64 TERMINAL VALIDATED TO USCAR ONLY. SEE PRODUCT SPEC (2052510001-PS) FOR DETAILS

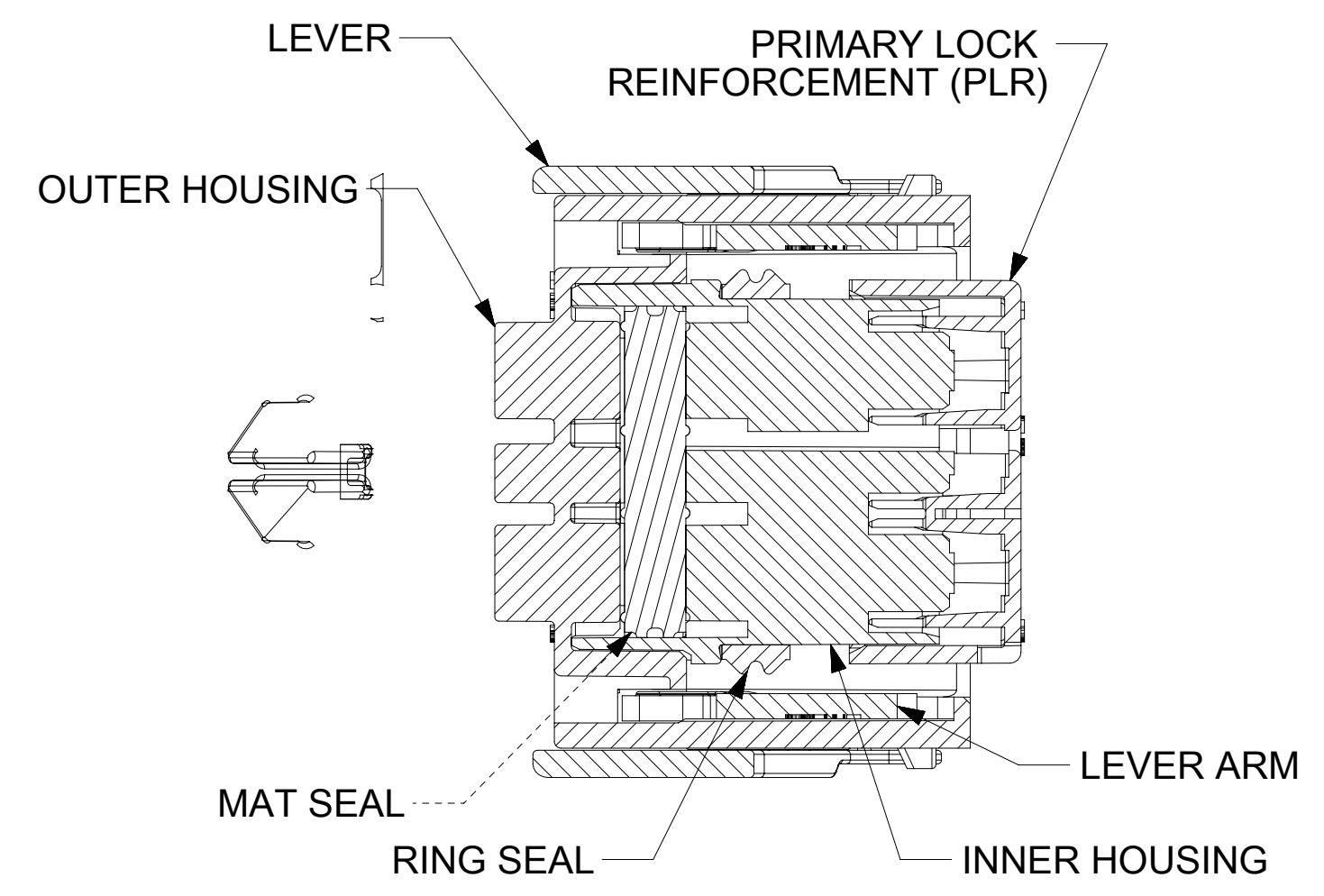
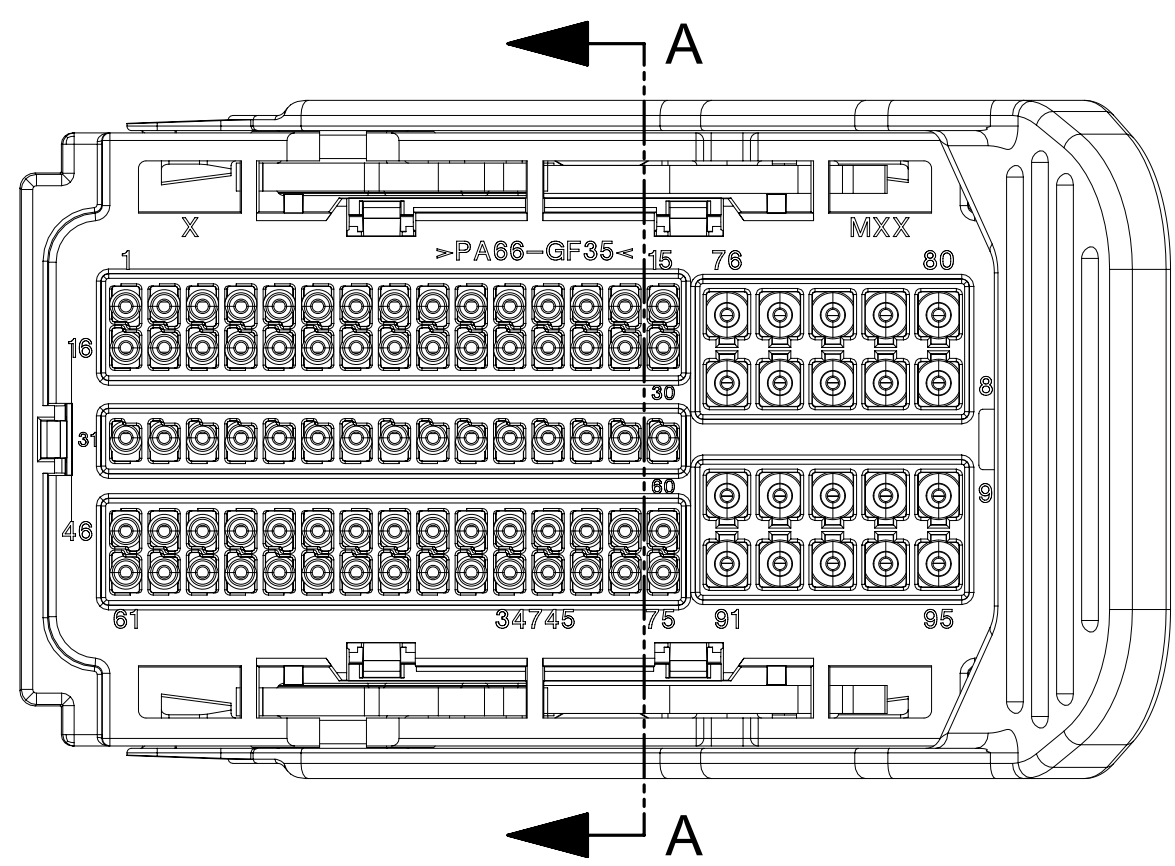


END LATCH AS SHIPPED



TOP LATCH AS SHIPPED

MATING INTERFACE CHART				
DESCRIPTION	CIRCUIT SIZE	SERIES	COLOR	INTERFACE DRAWING NUMBER
95way, Key 1	95	205251	BLACK	349920001-SD
95way, Key 2				
95way, Key 3				
95way, Key 4				
95way, Key 5				
103way, Key 1	103	205252	BLACK	349930001-SD
103way, Key 2				
103way, Key 3				
103way, Key 4				
103way, Key 5				



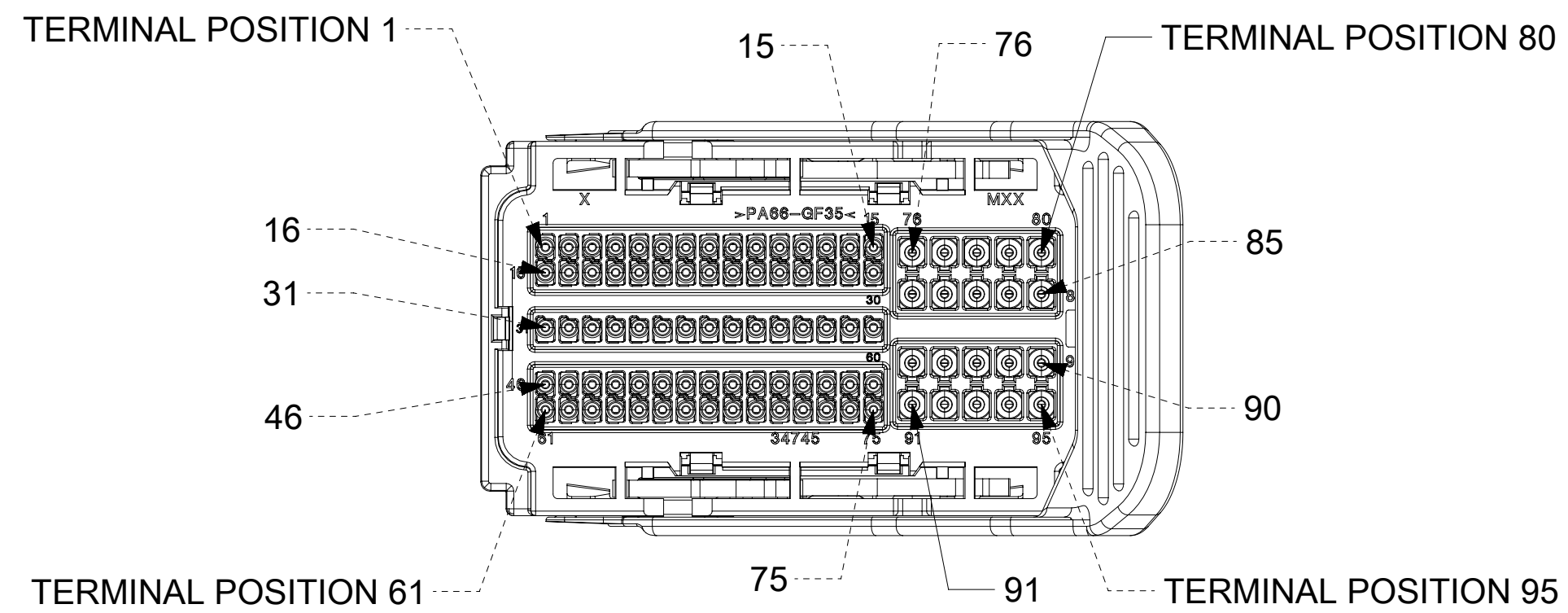
SECTION A-A

4

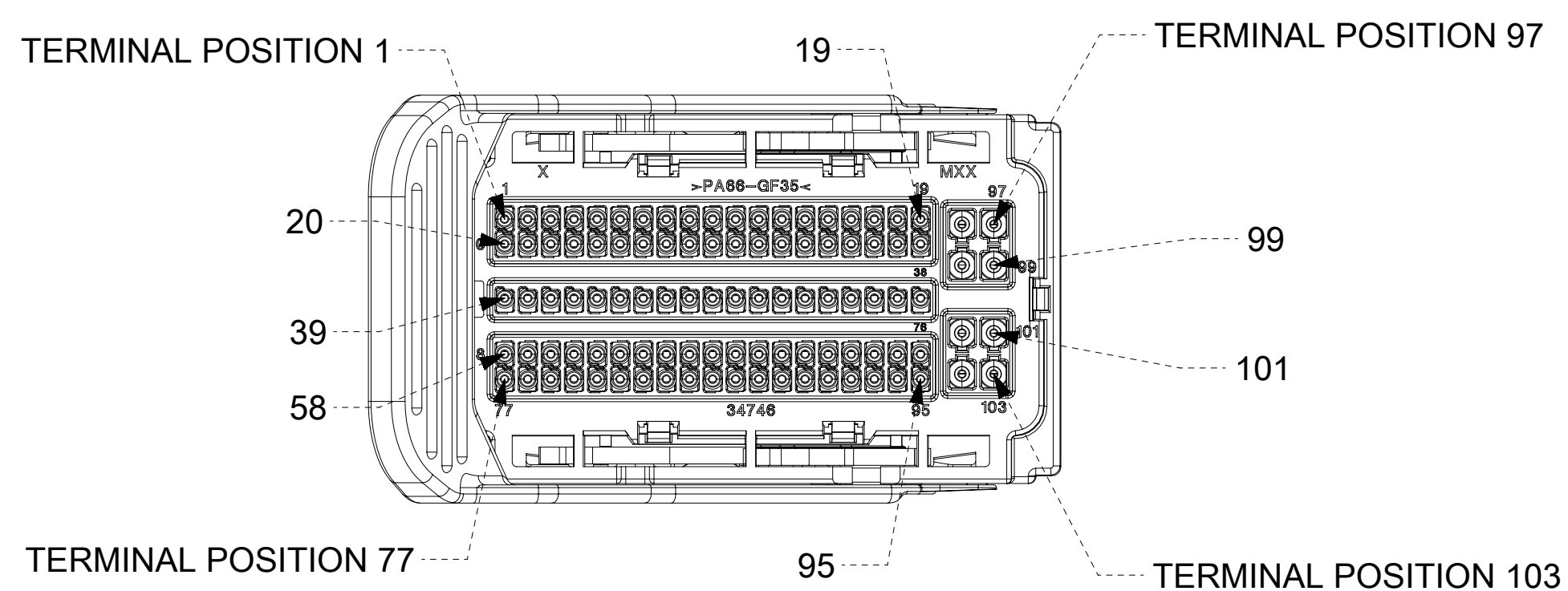
DESCRIPTION	SUPPLIER PART NUMBER	PAYOFF DIRECTION	APPLICABLE WIRE SIZE		
			ISO WIRE per GMW15626 Feb 2008 ES-AU5T-1A348-AA rev D	SAE WIRE per ESB-ML123-A 2003 SAE J1128 Dec 2005	JASO WIRE per JASO D611 2014 (Table 26 - AESSXf)
Molex MXCD64 0.64mm Ag Terminal	2077131254	D	0.35mm ² (DIA 1.20 - 1.40)		
	2077131354		0.50mm ² (DIA 1.40 - 1.60)		
			0.75mm ² (DIA 1.70 - 1.90)		
TE Gen Y 0.64mm Ag Terminal	1456968-1	RIGHT	0.35mm ² (DIA 1.20 - 1.40)	22AWG (DIA 1.50 - 1.65)	0.30mm ² (DIA 1.40 - 1.50)
	1456968-3	LEFT	0.50mm ² (DIA 1.40 - 1.60)	20AWG (DIA 1.70 - 1.85)	0.50mm ² (DIA 1.60 - 1.70)
	1456968-2	RIGHT	0.75mm ² (DIA 1.70 - 1.90)	18AWG (DIA 1.91 - 2.06)	
	1456968-4	LEFT			
Molex MX150 1.50mm Sn Terminal	33012-2001	RIGHT	1.50mm ² (DIA 2.20 - 2.40)	16AWG (DIA 2.18 - 2.34)	1.25mm ² (DIA 2.10 - 2.20)
	33012-3001	LEFT			
	33012-2002	RIGHT	0.75mm ² (DIA 1.70 - 1.90)	20AWG (DIA 1.70 - 1.85) 18AWG (DIA 1.91 - 2.06)	0.75mm ² (DIA 1.80 - 1.90)
	33012-3002	LEFT			
	33012-2003	RIGHT		22AWG (DIA 1.50 - 1.65)	
	33012-3003	LEFT			
	33012-2004	RIGHT	0.35mm ² (DIA 1.20 - 1.40)		0.50mm ² (DIA 1.60 - 1.70)
	33012-3004	LEFT	0.50mm ² (DIA 1.40 - 1.60)		

SYMBOLS	THIS DRAWING CONTAINS INFORMATION THAT IS PROPRIETARY TO MOLEX ELECTRONIC TECHNOLOGIES, LLC AND SHOULD NOT BE USED WITHOUT WRITTEN PERMISSION	
	DIMENSION UNITS	SCALE
▽ = 0	mm	1.5:1
▽ = 0	GENERAL TOLERANCES (UNLESS SPECIFIED)	
▽ = 0	ANGULAR TOL	± °
▽ = 0	4 PLACES	±
▽ = 0	3 PLACES	±
▽ = 0	2 PLACES	±
▽ = 0	1 PLACE	±
▽ = 0	0 PLACES	±
■ = 0	DRAFT WHERE APPLICABLE MUST REMAIN WITHIN DIMENSIONS	
▽ = 0	THIRD ANGLE PROJECTION	DRAWING
		D-SIZE
	SERIES	205251
CURRENT REV DESC:		
EC NO: 658759		
DRWN: BLENZE 2021/03/15		
CHK'D: BDICK01 2021/03/26		
APPR: BDICK01 2021/03/26		
INITIAL REVISION:		
DRWN: APROFFITT 2018/03/22		
APPR: BDICK01 2018/03/26		
DOCUMENT NUMBER		DOC TYPE DOC PART REVISION
2052510001-SD		PSD 000 A9
MATERIAL NUMBER	CUSTOMER	SHEET NUMBER
		1 OF 8

SHEET DESCRIPTION
CONFIGURATIONS



95 WAY

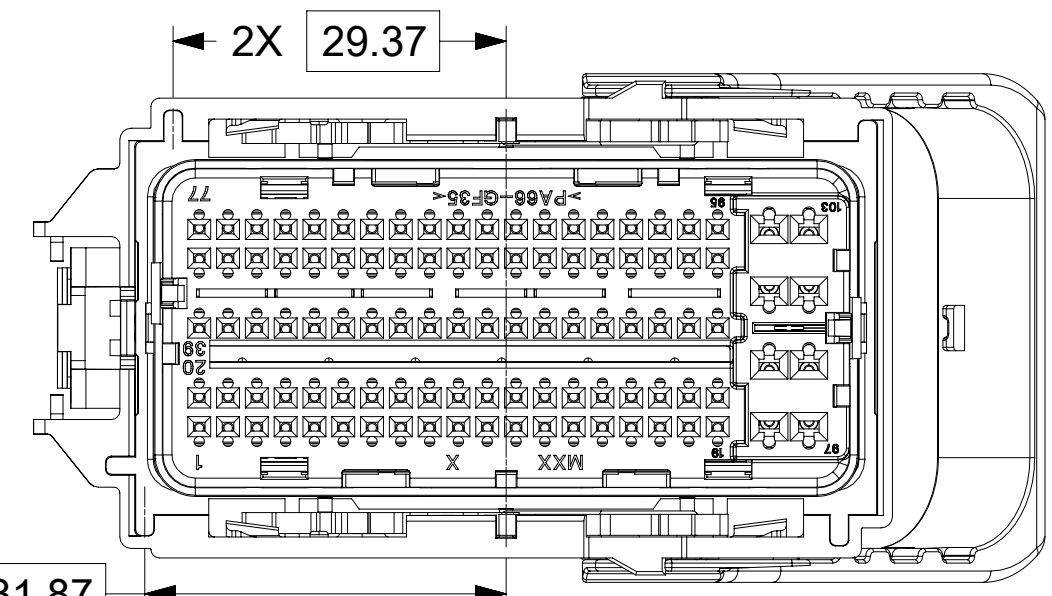


103 WAY

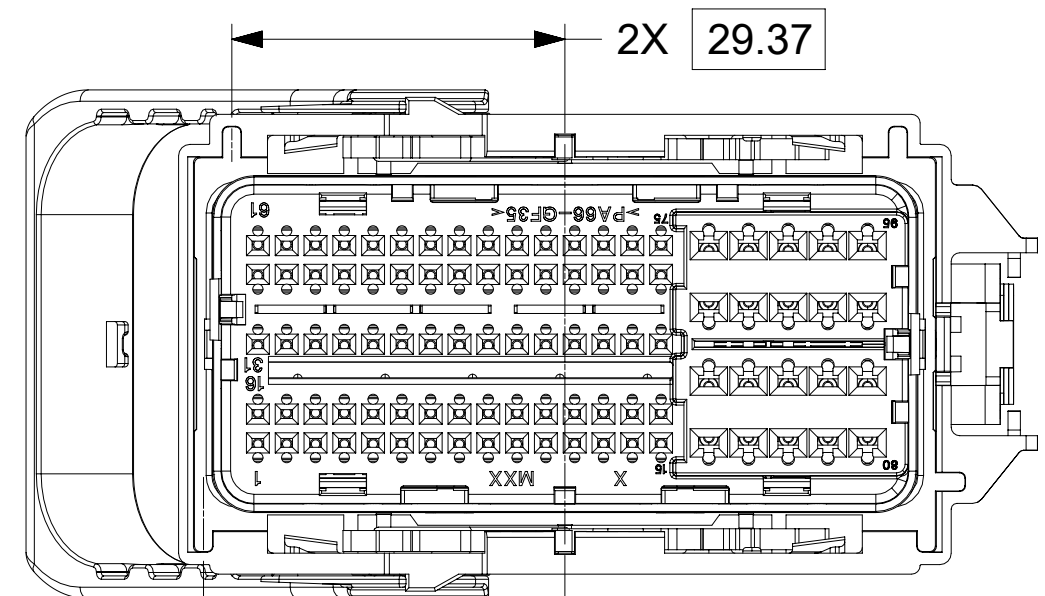
SYMBOLS	THIS DRAWING CONTAINS INFORMATION THAT IS PROPRIETARY TO MOLEX ELECTRONIC TECHNOLOGIES, LLC AND SHOULD NOT BE USED WITHOUT WRITTEN PERMISSION		
	DIMENSION UNITS	SCALE	CURRENT REV DESC:
= 0	mm	1.5:1	<p>molex</p> <p>GECU SEALED RCPT CONN ASSY</p> <p>PRODUCT CUSTOMER DRAWING</p>
= 0	GENERAL TOLERANCES (UNLESS SPECIFIED)		
= 0	ANGULAR TOL	± °	
= 0	4 PLACES	±	
= 0	3 PLACES	±	
= 0	2 PLACES	±	<p>EC NO: 658759</p> <p>DRWN: BLENZE 2021/03/15</p> <p>CHK'D: BDICK01 2021/03/26</p> <p>APPR: BDICK01 2021/03/26</p>
= 0	1 PLACE	±	
= 0	0 PLACES	±	<p>INITIAL REVISION:</p> <p>DRWN: APROFFITT 2018/03/22</p> <p>APPR: BDICK01 2018/03/26</p>
= 0	DRAFT WHERE APPLICABLE MUST REMAIN WITHIN DIMENSIONS	THIRD ANGLE PROJECTION	<p>DRAWING</p> <p>D-SIZE</p>
= 0		SERIES	<p>205251</p>
DOCUMENT STATUS		P1	RELEASE DATE
2021/03/26		12:49:27	
DOCUMENT NUMBER		DOC TYPE	DOC PART
2052510001-SD		PSD	000
REVISION		A9	
MATERIAL NUMBER		CUSTOMER	SHEET NUMBER
			2 OF 8

SHEET DESCRIPTION

POLARIZATIONS



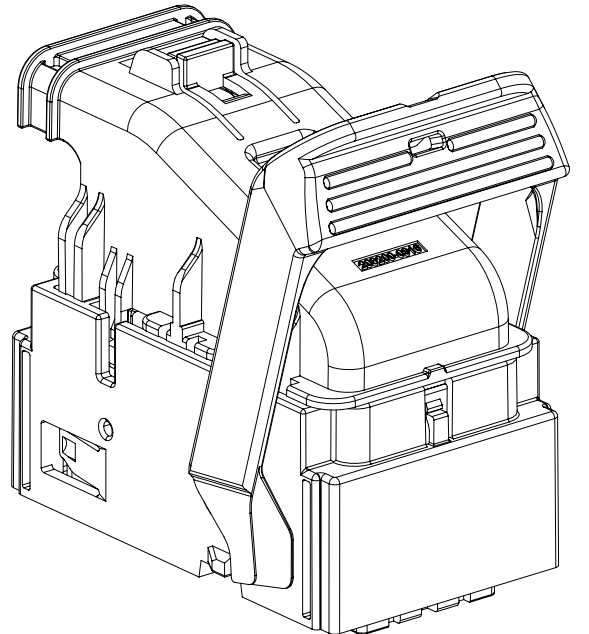
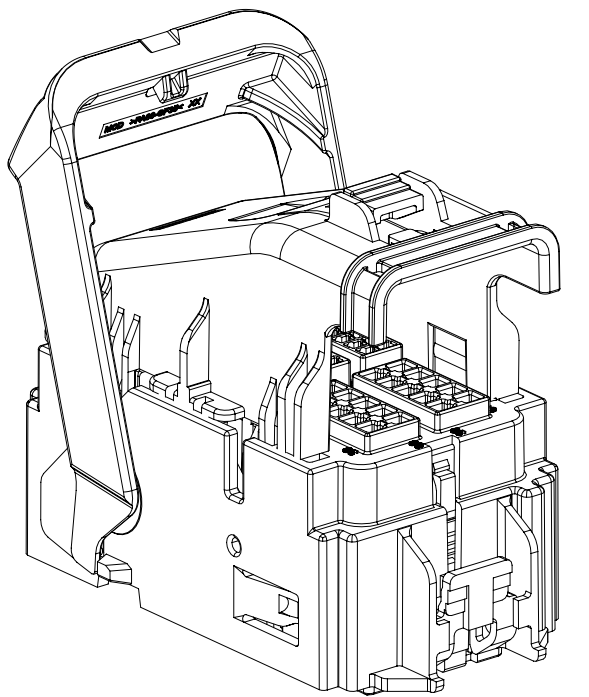
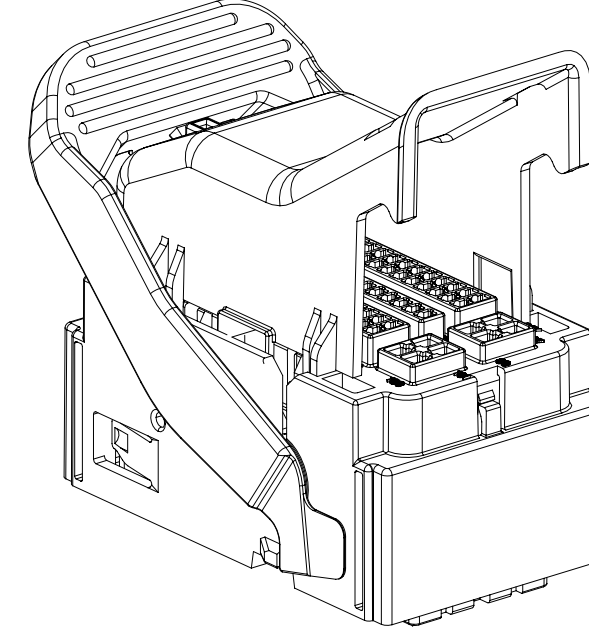
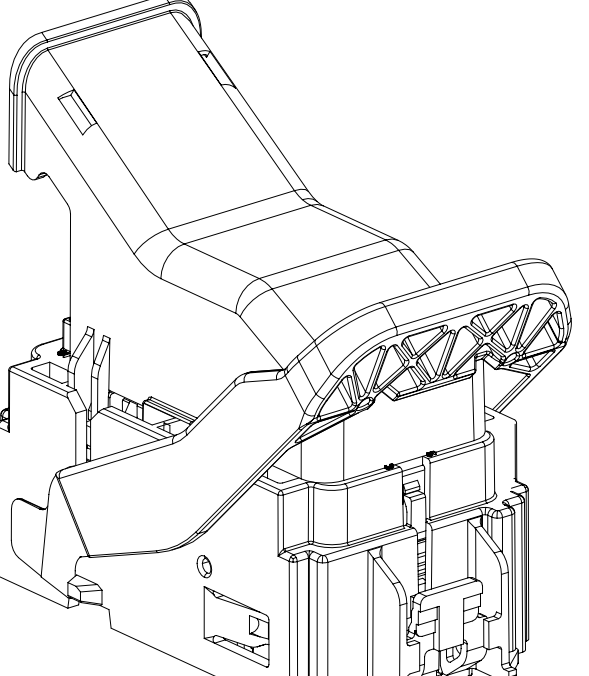
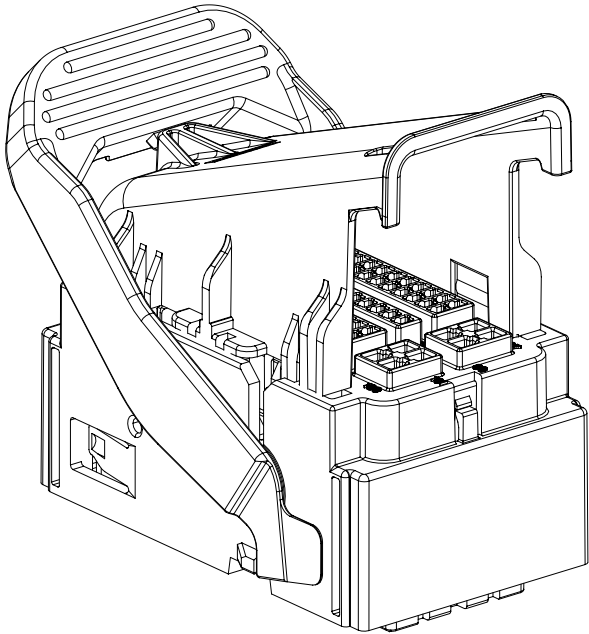
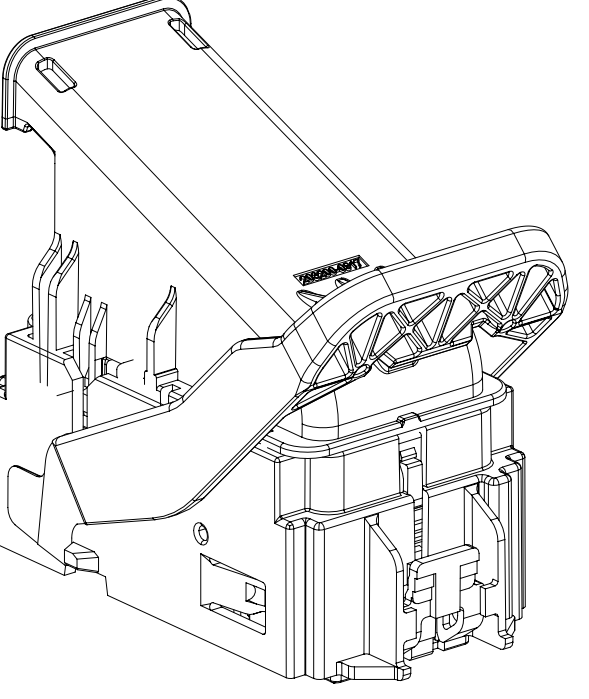
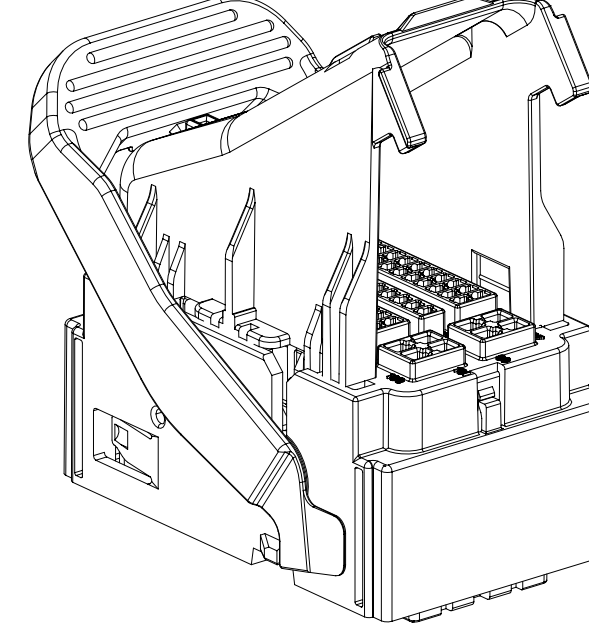
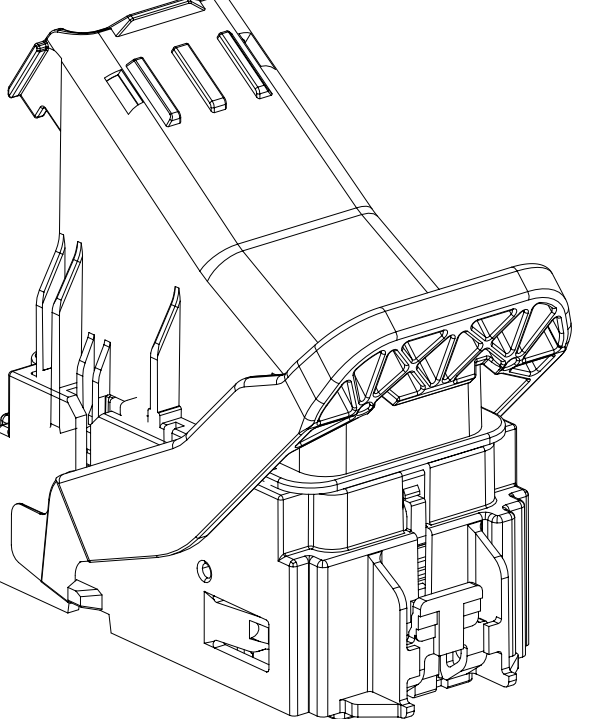
103 WAY - KEY 3




95 WAY - KEY 4

SYMBOLS ▽ = 0 ▽ = 0 ▽ = 0 ▽ = 0 ▽ = 0 ▽ = 0 ▽ = 0 ▽ = 0 ▽ = 0 ▽ = 0 ▽ = 0	THIS DRAWING CONTAINS INFORMATION THAT IS PROPRIETARY TO MOLEX ELECTRONIC TECHNOLOGIES, LLC AND SHOULD NOT BE USED WITHOUT WRITTEN PERMISSION		CURRENT REV DESC:					
	DIMENSION UNITS	SCALE	EC NO: 658759					DOCUMENT NUMBER
	mm	1.5:1	DRWN: BLENZE		2052510001-SD	PSD	000	A9
	GENERAL TOLERANCES (UNLESS SPECIFIED)		2021/03/15		PRODUCT CUSTOMER DRAWING			
	ANGULAR TOL	±	CHK'D: BDICK01		INITIAL REVISION:			
	4 PLACES	±	2021/03/26		DRWN: APROFFITT			
	3 PLACES	±	APPR: BDICK01		2018/03/22			
	2 PLACES	±	2021/03/26		2018/03/26			
	1 PLACE	±	DRWN: APROFFITT		SERIES			
	0 PLACES	±	2018/03/26		MATERIAL NUMBER			
DRAFT WHERE APPLICABLE MUST REMAIN WITHIN DIMENSIONS		THIRD ANGLE PROJECTION	DRAWING	SERIES	CUSTOMER	SHEET NUMBER		
			D-SIZE	205251			3 OF 8	

SHEET DESCRIPTION
WIRE DRESS COVER CONFIGURATIONS

	103 WAY		95 WAY
L		203200-0916 COVER	
J		203200-0902 COVER	
G		203200-0917 COVER	
E		203200-0910 COVER	

THE FOLLOWING COMPONENTS ARE SOLD SEPARATELY.
SEE BOM FOR ADDITIONAL INFORMATION.

SYMBOLS ▽ = 0 ▽ = 0 ▽ = 0 ▽ = 0 ▽ = 0 ▽ = 0 ▽ = 0 ▽ = 0 ▽ = 0 ▽ = 0	THIS DRAWING CONTAINS INFORMATION THAT IS PROPRIETARY TO MOLEX ELECTRONIC TECHNOLOGIES, LLC AND SHOULD NOT BE USED WITHOUT WRITTEN PERMISSION	DIMENSION UNITS	SCALE	CURRENT REV DESC:					
	mm	1:1	EC NO: 658759						
	GENERAL TOLERANCES (UNLESS SPECIFIED)			DRWN: BLENZE 2021/03/15					
	ANGULAR TOL ± °			CHK'D: BDICK01 2021/03/26					
	4 PLACES ±			APPR: BDICK01 2021/03/26					
	3 PLACES ±			INITIAL REVISION:					
	2 PLACES ±			DRWN: APROFFITT 2018/03/22					
	1 PLACE ±			2018/03/26					
	0 PLACES ±			APPR: BDICK01 2018/03/26					
	DRAFT WHERE APPLICABLE MUST REMAIN WITHIN DIMENSIONS			THIRD ANGLE PROJECTION	DRAWING	SERIES	MATERIAL NUMBER	CUSTOMER	SHEET NUMBER
				D-SIZE	205251	2052510001-SD	PSD	000	A9

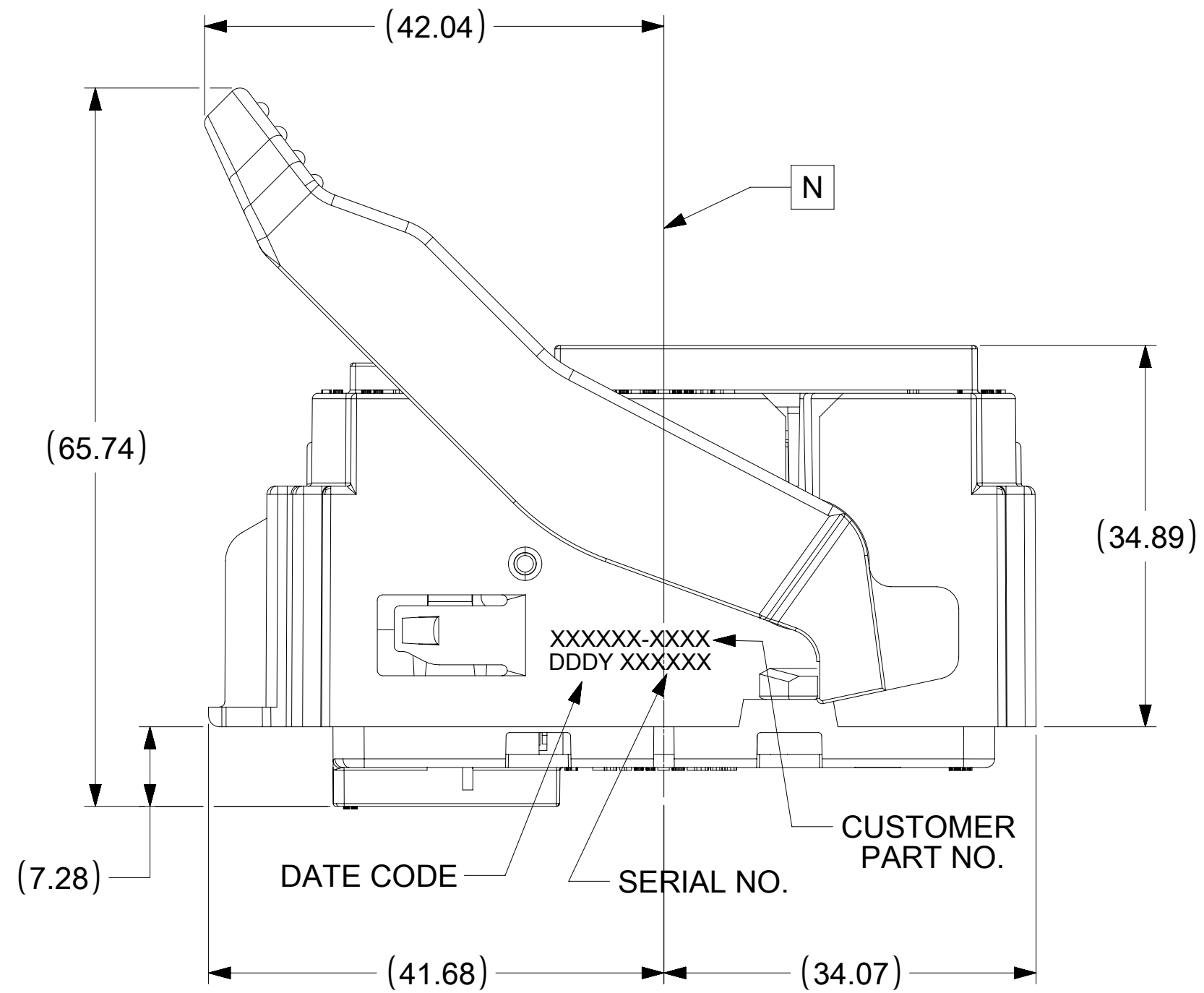
molex

GECU SEALED RCPT CONN ASSY

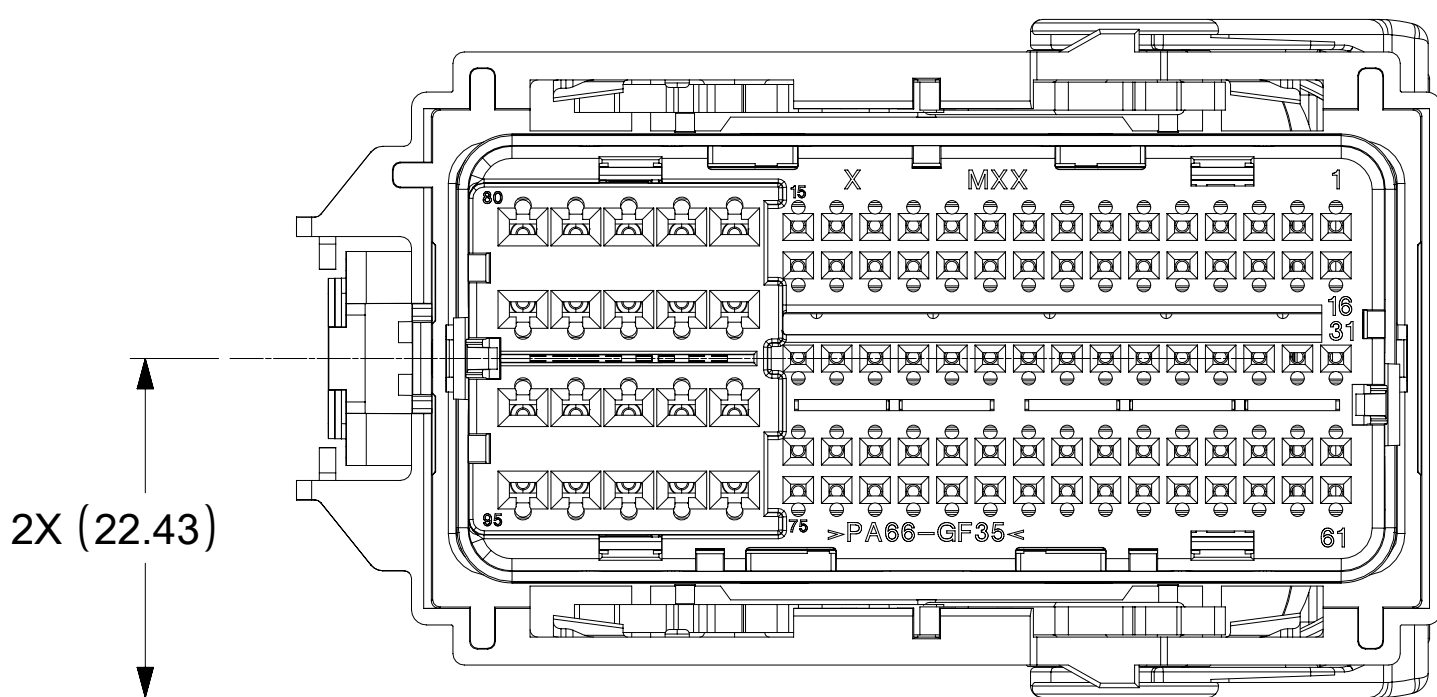
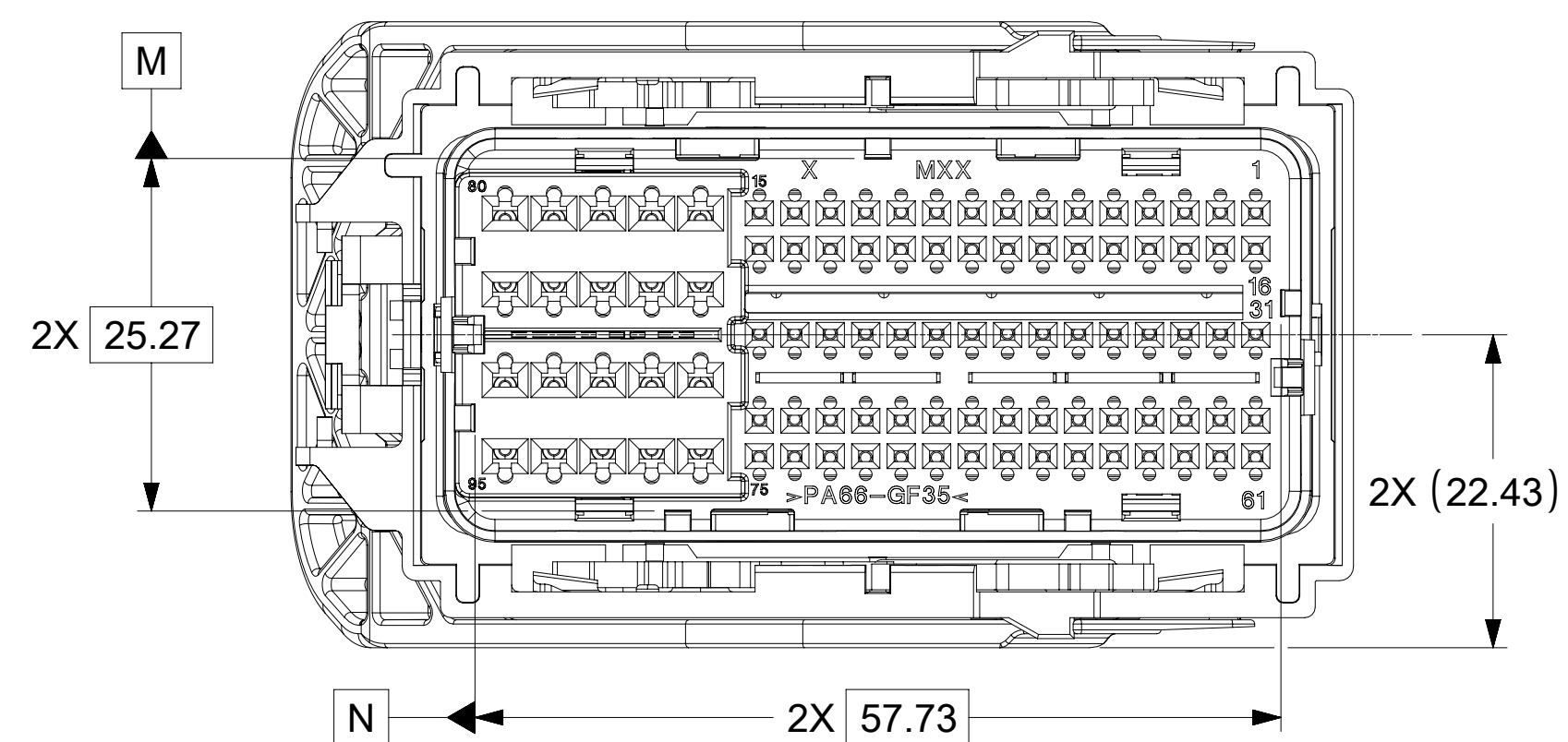
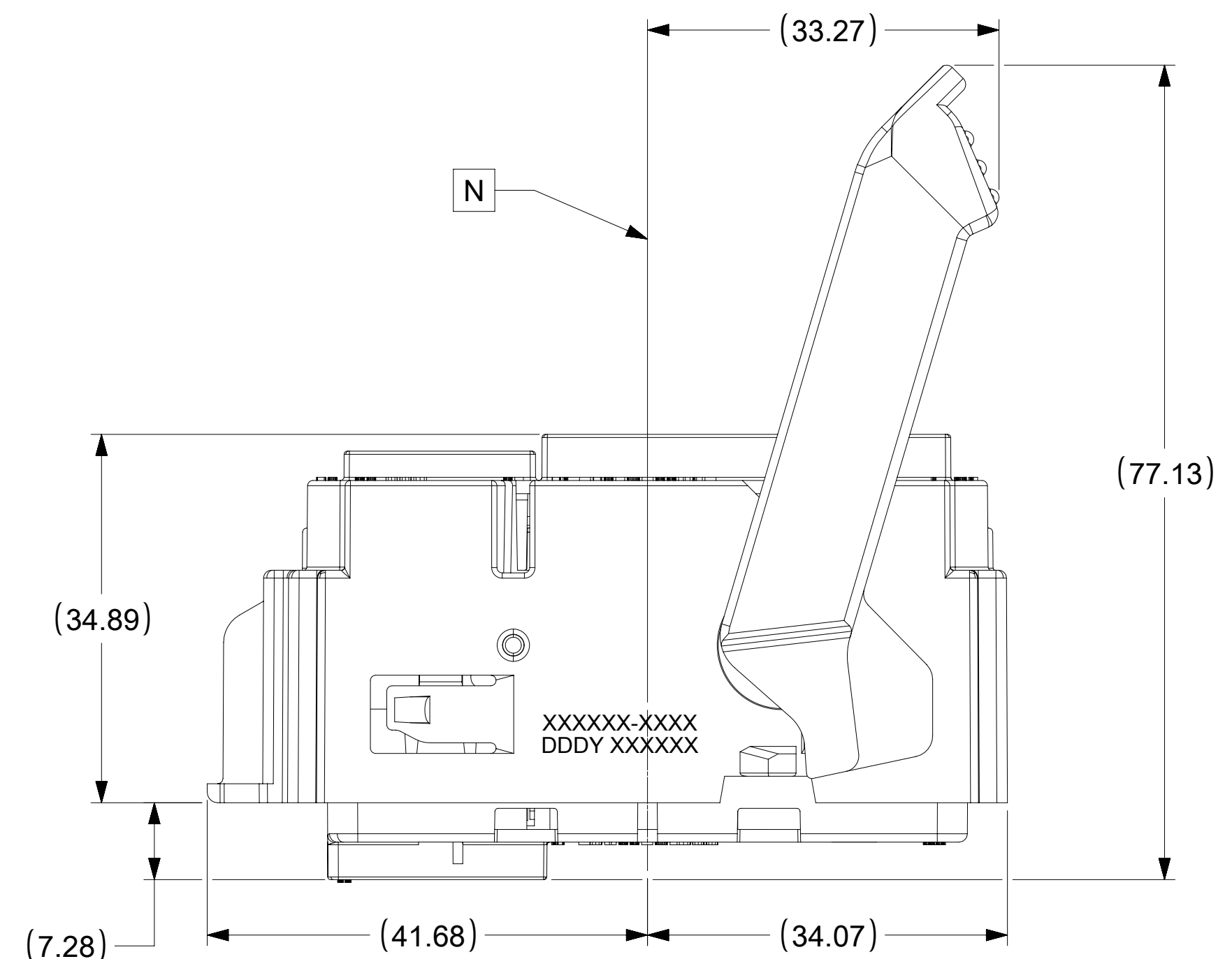
PRODUCT CUSTOMER DRAWING

DOCUMENT NUMBER	DOC TYPE	DOC PART	REVISION
2052510001-SD	PSD	000	A9

END LATCH



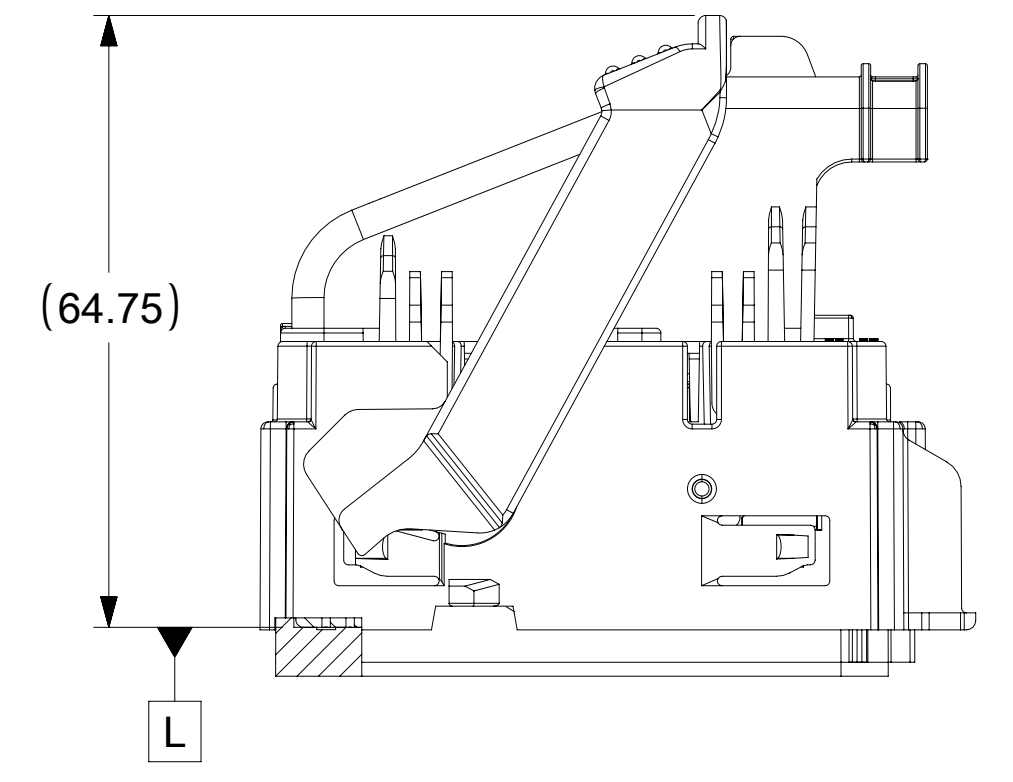
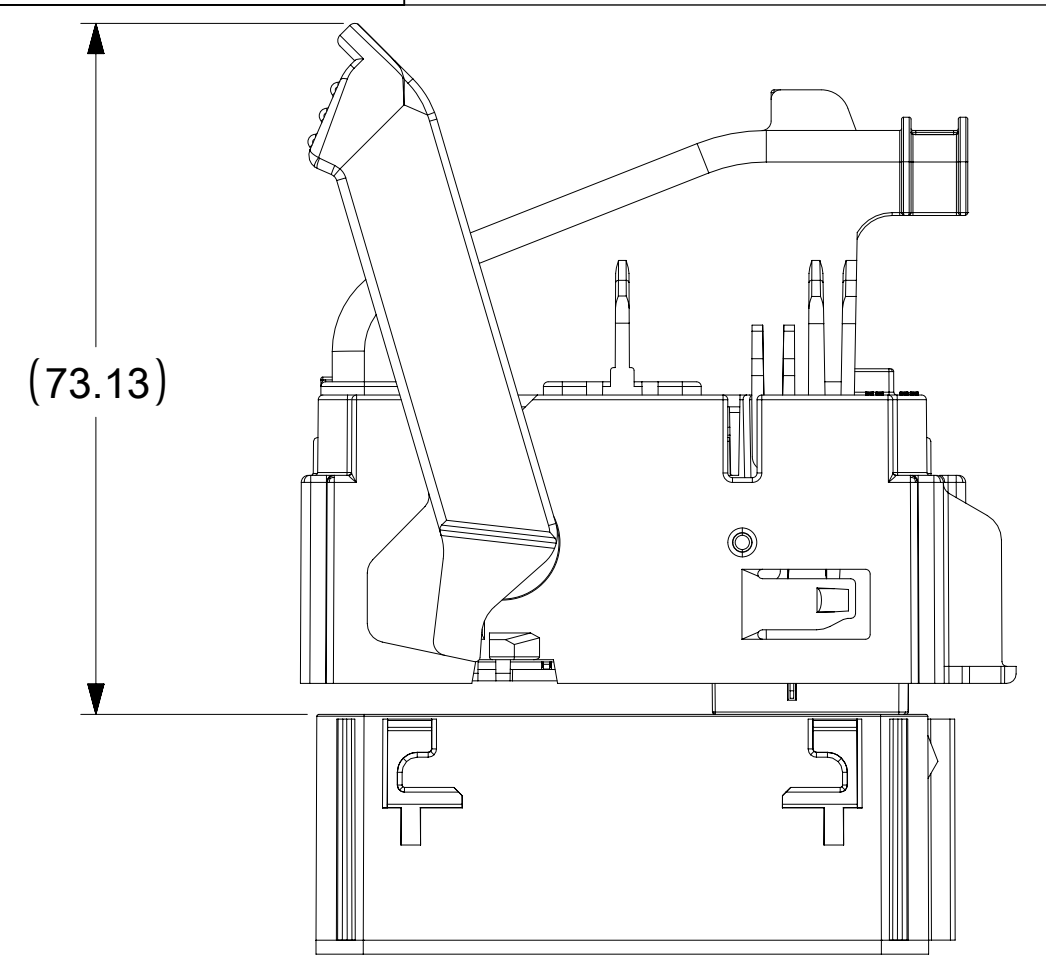
TOP LATCH



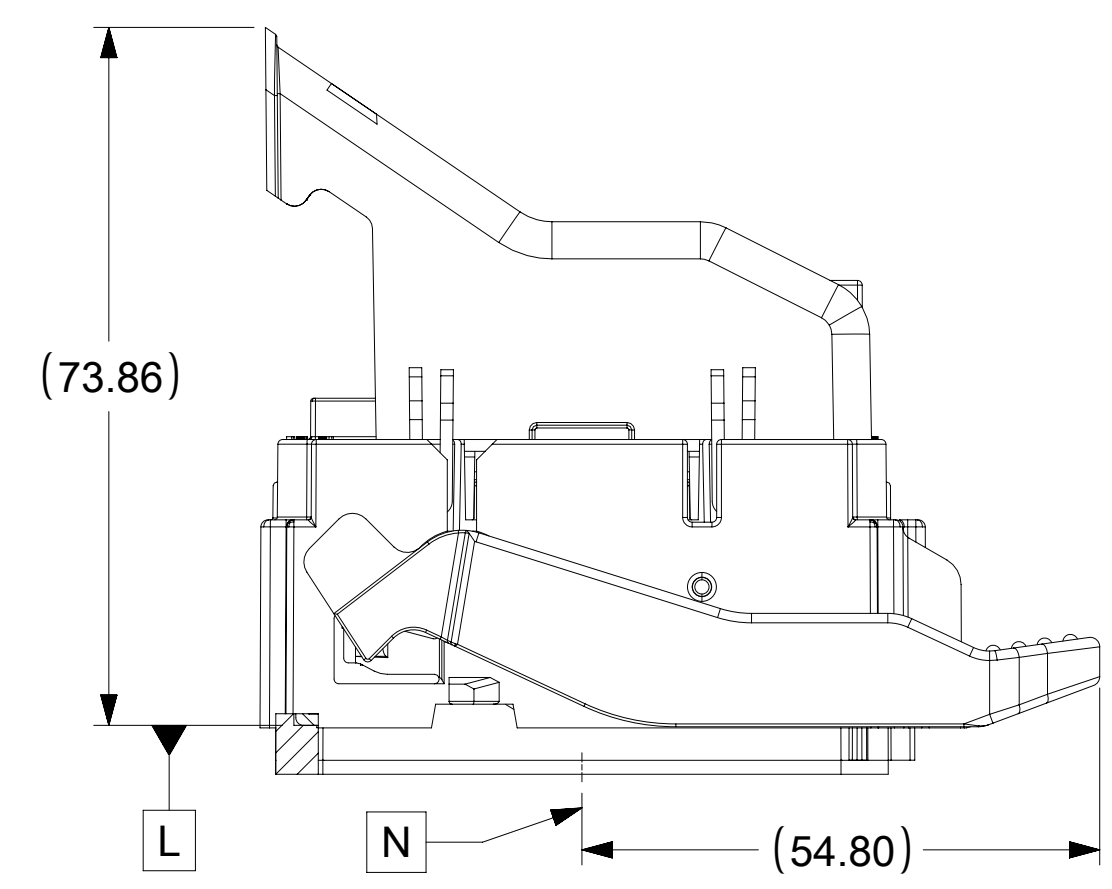
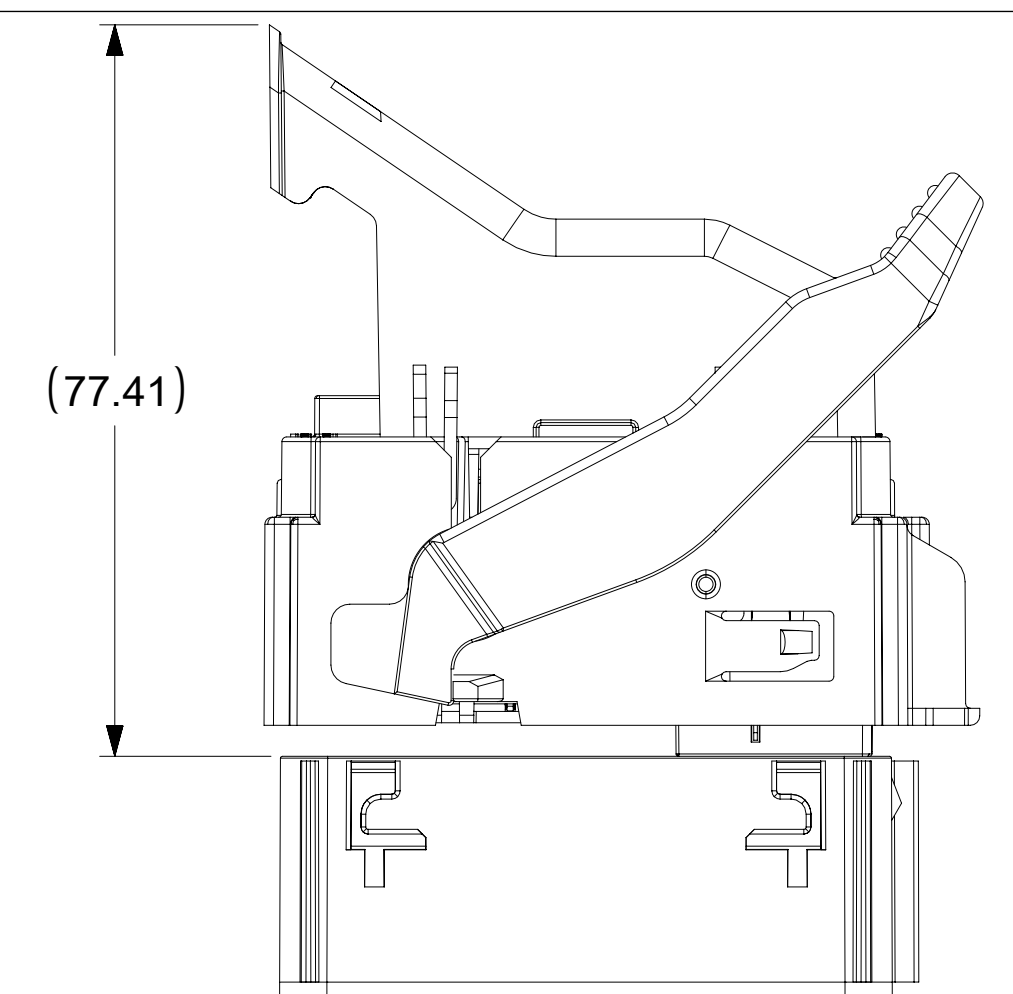
SYMBOLS	THIS DRAWING CONTAINS INFORMATION THAT IS PROPRIETARY TO MOLEX ELECTRONIC TECHNOLOGIES, LLC AND SHOULD NOT BE USED WITHOUT WRITTEN PERMISSION		CURRENT REV DESC:		molex
	DIMENSION UNITS	SCALE			
▽ = 0	mm	2:1			GECU SEALED RCPT CONN ASSY
▽ = 0	GENERAL TOLERANCES (UNLESS SPECIFIED)				
▽ = 0	ANGULAR TOL ± °				PRODUCT CUSTOMER DRAWING
▽ = 0	4 PLACES	±			
▽ = 0	3 PLACES	±			DOCUMENT NUMBER
▽ = 0	2 PLACES	±			
▽ = 0	1 PLACE	±			DOC TYPE
▽ = 0	0 PLACES	±			
□ = 0	DRAFT WHERE APPLICABLE MUST REMAIN WITHIN DIMENSIONS		THIRD ANGLE PROJECTION	DRAWING	SERIES
□ = 0			⊕	D-SIZE	
□ = 0					MATERIAL NUMBER
				205251	
				CUSTOMER	
				REVISION	
				2052510001-SD	
				PSD 000 A9	
				SHEET NUMBER	
				5 OF 8	

SHEET DESCRIPTION
AS RECEIVED AT VEHICLE ASSEMBLY

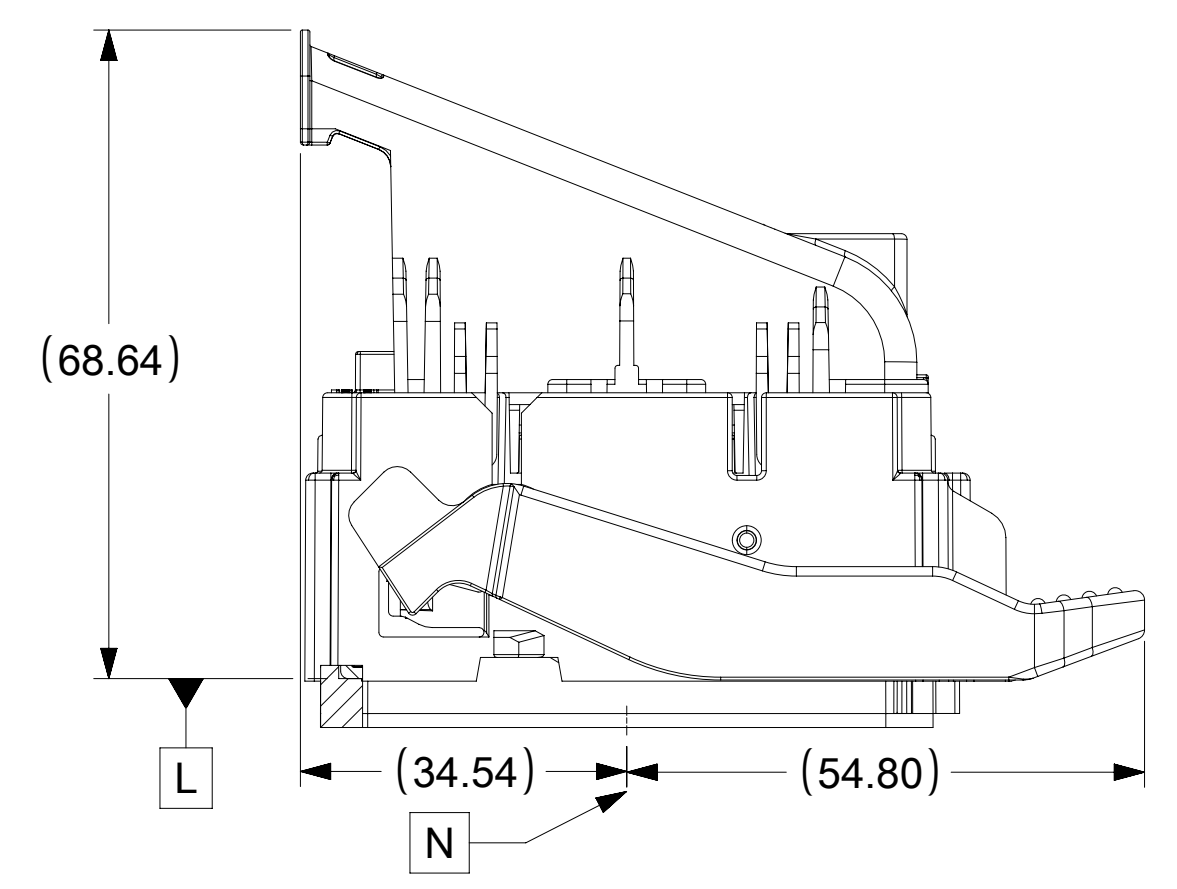
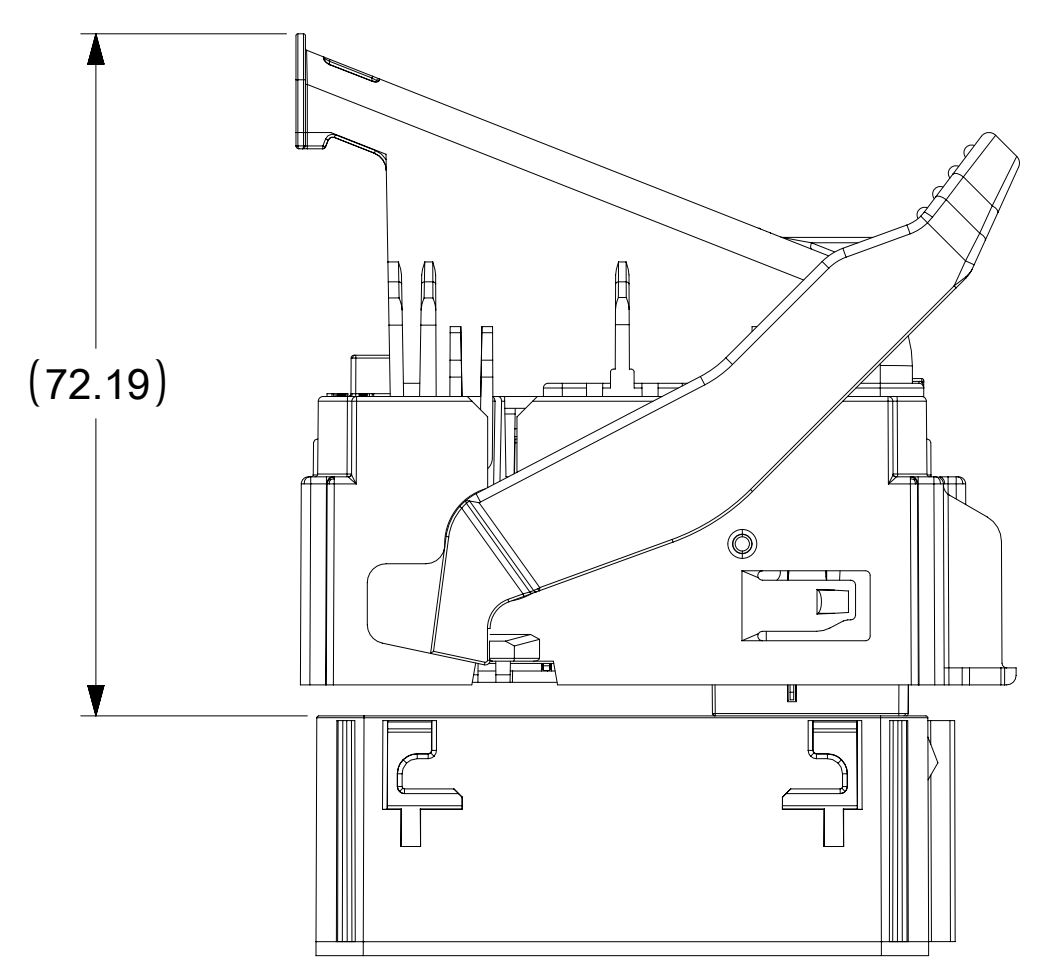
203200-0916 COVER



203200-0902 COVER



203200-0917 COVER

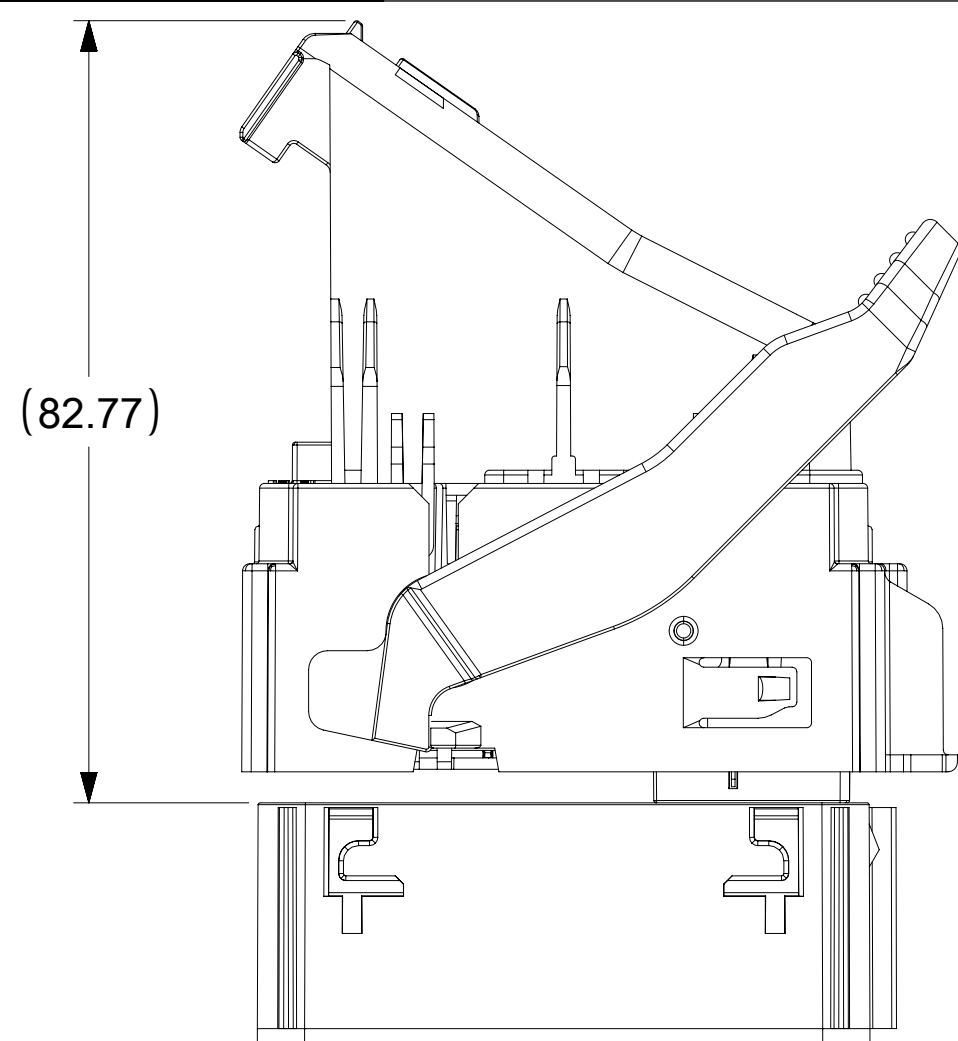


INSTALL

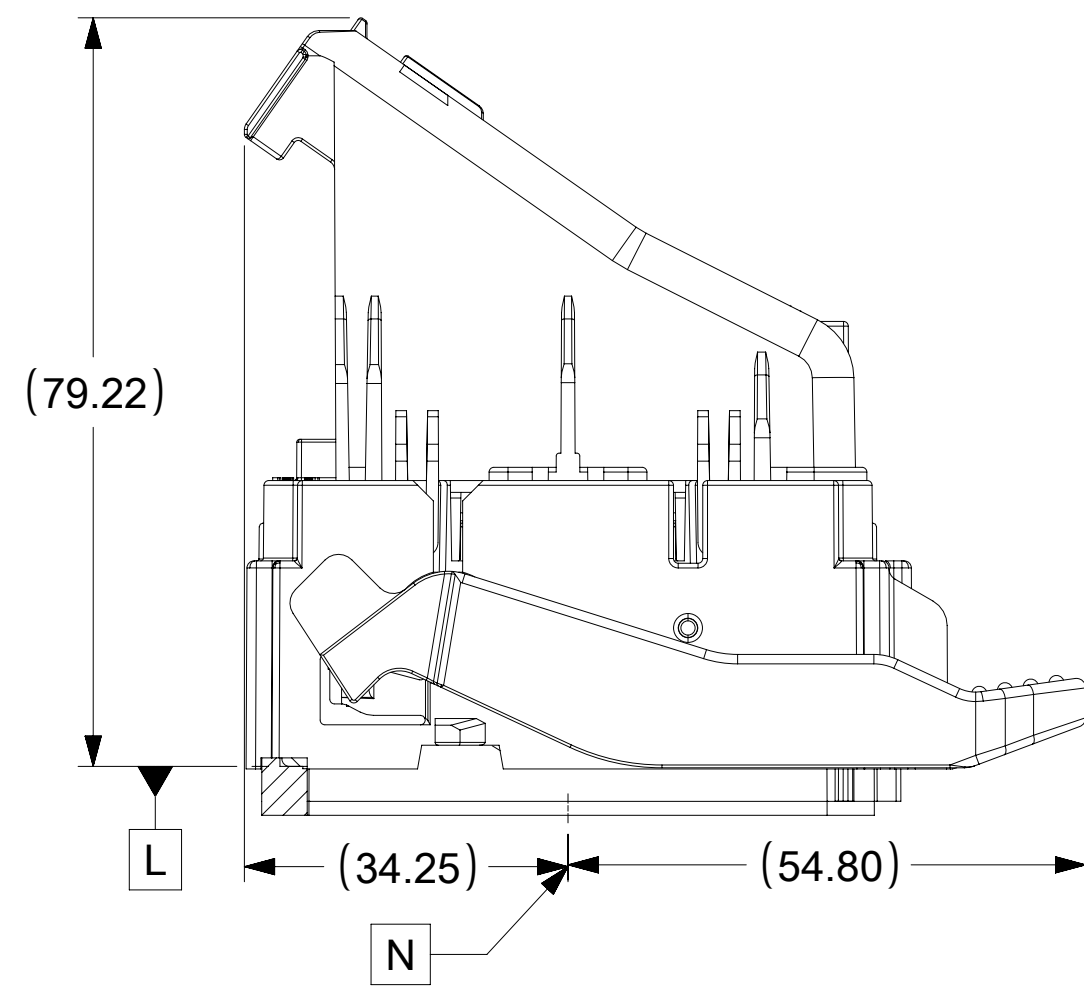
FINAL LOCK

SYMBOLS = 0	THIS DRAWING CONTAINS INFORMATION THAT IS PROPRIETARY TO MOLEX ELECTRONIC TECHNOLOGIES, LLC AND SHOULD NOT BE USED WITHOUT WRITTEN PERMISSION		CURRENT REV DESC:				
	DIMENSION UNITS: mm SCALE: 1.25:1	GENERAL TOLERANCES (UNLESS SPECIFIED)		EC NO: 658759 DRWN: BLENZE 2021/03/15 CHK'D: BDICK01 2021/03/26 APPR: BDICK01 2021/03/26			
	ANGULAR TOL: ± °	4 PLACES ± 3 PLACES ± 2 PLACES ± 1 PLACE ± 0 PLACES ±		INITIAL REVISION: DRWN: APROFFITT 2018/03/22 APPR: BDICK01 2018/03/26		PRODUCT CUSTOMER DRAWING	
	DRAFT WHERE APPLICABLE MUST REMAIN WITHIN DIMENSIONS	THIRD ANGLE PROJECTION 	DRAWING: D-SIZE	SERIES: 205251	DOCUMENT NUMBER: 2052510001-SD DOC TYPE: PSD DOC PART: 000 REVISION: A9	MATERIAL NUMBER: _____ CUSTOMER: _____ SHEET NUMBER: 6 OF 8	

203200-0910 COVER



INSTALL

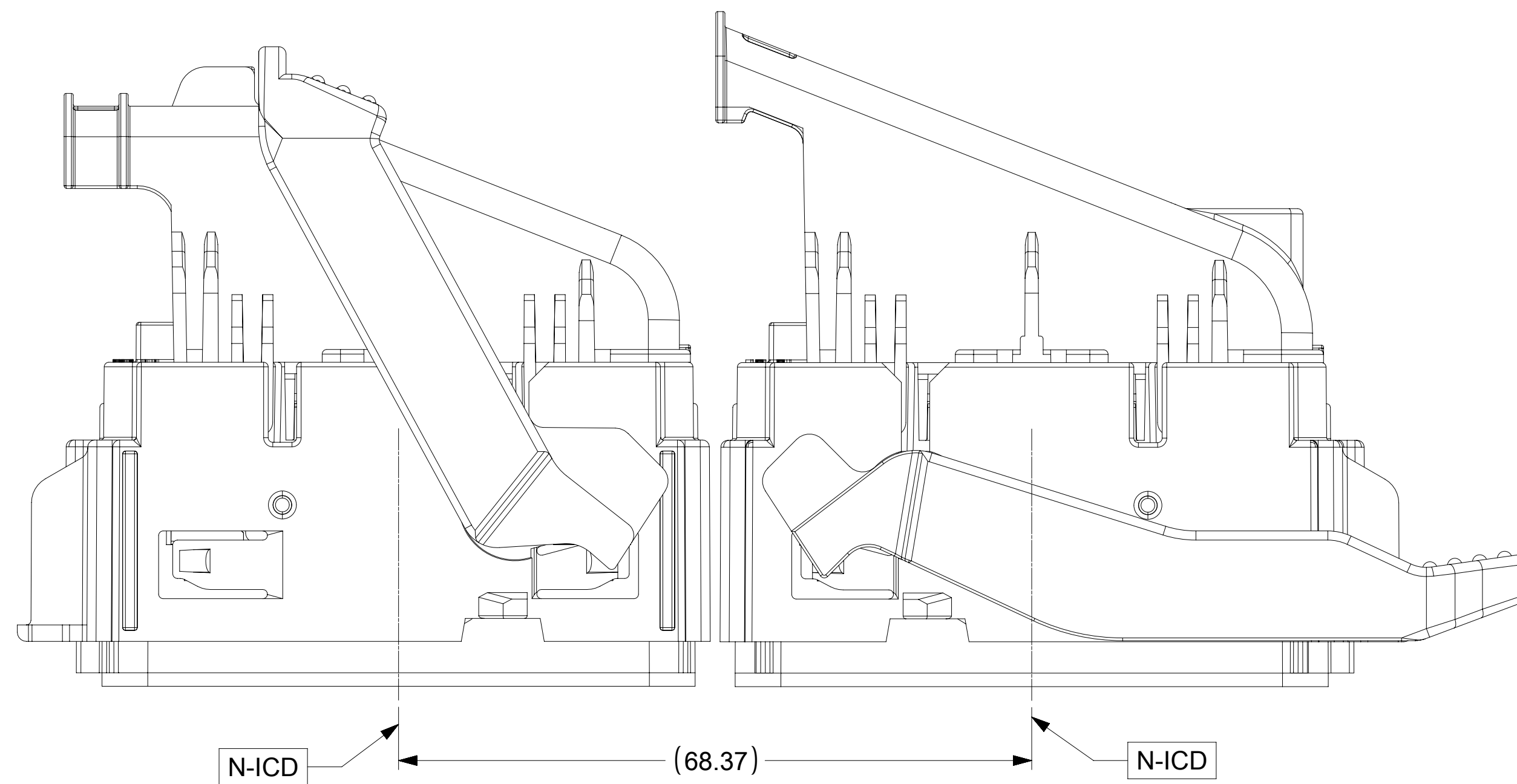


FINAL LOCK

SYMBOLS	THIS DRAWING CONTAINS INFORMATION THAT IS PROPRIETARY TO MOLEX ELECTRONIC TECHNOLOGIES, LLC AND SHOULD NOT BE USED WITHOUT WRITTEN PERMISSION										
	DIMENSION UNITS		SCALE		CURRENT REV DESC:						
	mm		1.25:1								
	GENERAL TOLERANCES (UNLESS SPECIFIED)										
	ANGULAR TOL		± °		EC NO: 658759					GECU SEALED RCPT CONN ASSY PRODUCT CUSTOMER DRAWING	
	4 PLACES		±		DRWN: BLENZE 2021/03/15						
	3 PLACES		±		CHK'D: BDICK01 2021/03/26						
	2 PLACES		±		APPR: BDICK01 2021/03/26					DOCUMENT NUMBER 2052510001-SD	
	1 PLACE		±		INITIAL REVISION:						
	0 PLACES		±		DRWN: APROFFITT 2018/03/22						
DRAFT WHERE APPLICABLE MUST REMAIN WITHIN DIMENSIONS		THIRD ANGLE PROJECTION		DRAWING		SERIES		MATERIAL NUMBER		CUSTOMER	SHEET NUMBER
				D-SIZE		205251					7 OF 8

SHEET DESCRIPTION

RCPT PACKAGING



SYMBOLS	THIS DRAWING CONTAINS INFORMATION THAT IS PROPRIETARY TO MOLEX ELECTRONIC TECHNOLOGIES, LLC AND SHOULD NOT BE USED WITHOUT WRITTEN PERMISSION										
	DIMENSION UNITS		SCALE		CURRENT REV DESC:						
	mm		2:1								
	= 0		GENERAL TOLERANCES (UNLESS SPECIFIED)				EC NO: 658759 DRWN: BLENZE 2021/03/15 CHK'D: BDICK01 2021/03/26 APPR: BDICK01 2021/03/26 INITIAL REVISION: DRWN: APROFFITT 2018/03/22 APPR: BDICK01 2018/03/26				
	= 0		ANGULAR TOL ± °								
	= 0		4 PLACES ±								
	= 0		3 PLACES ±								
	= 0		2 PLACES ±								
	= 0		1 PLACE ±				PRODUCT CUSTOMER DRAWING DOCUMENT NUMBER: 2052510001-SD DOC TYPE: PSD DOC PART: 000 REVISION: A9				
	= 0		0 PLACES ±								
= 0		DRAFT WHERE APPLICABLE MUST REMAIN WITHIN DIMENSIONS									
= 0		THIRD ANGLE PROJECTION		DRAWING		SERIES		MATERIAL NUMBER		CUSTOMER	
= 0				D-SIZE		205251				SHEET NUMBER	
= 0										8 OF 8	

molex

GECU SEALED RCPT CONN ASSY

PRODUCT CUSTOMER DRAWING

2052510001-SD

PSD 000 A9

D-SIZE 205251

8 OF 8

