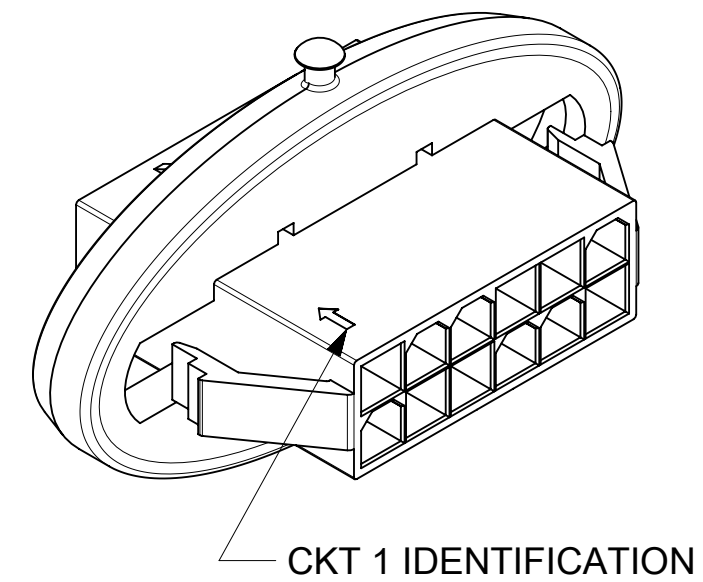
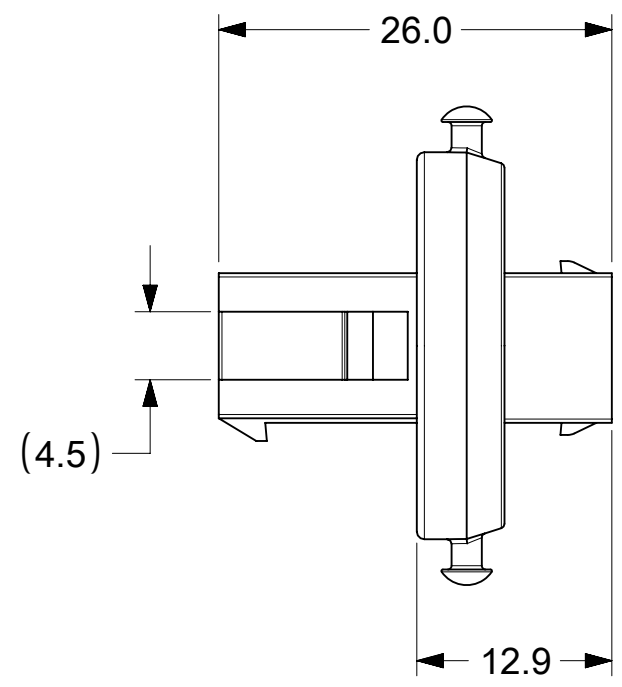
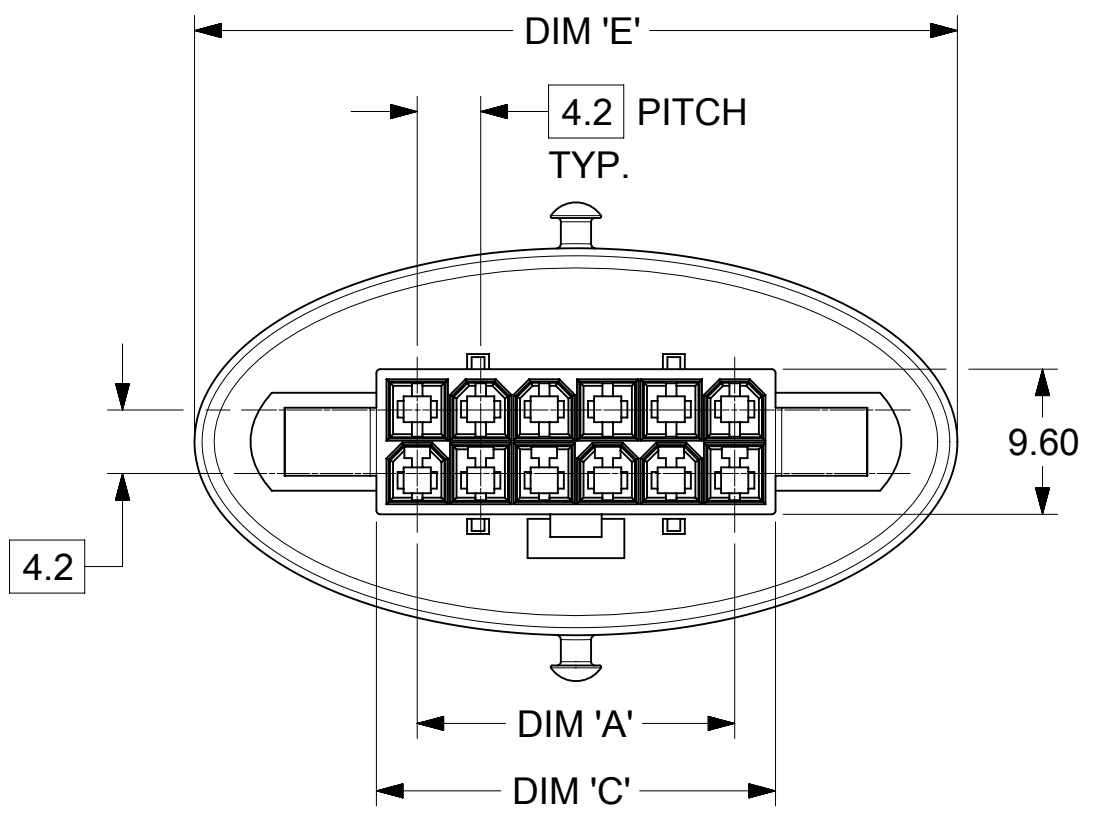


RECOMMENDED PANEL CUT-OUT SHOWN FOR 12CKT, 0.89-2.00 THICK PANEL
 PANEL CUTOOUT TOLERANCES ±0.10
 SHOWN FROM MATING SIDE



- NOTE:
1. MATERIAL: NYLON PA66, UL94V-0
COLOR: NATURAL
 2. PRODUCT SPECIFICATION: 2070170000-PS
APPLICATION SPECIFICATION: 2070170000-AS
 3. PACKAGING SPECIFICATION: 2070170000-PK
 4. THIS HOUSING TO BE USED WITH MALE TERMINAL SERIES 172765,
TPA PN 172709200X, SIGMA SEAL COVER 207019.
 5. TPA IS OPTIONAL FOR THIS PRODUCT.
 6. THIS PART MATES WITH SERIES 5557,46992 & 172708.
 7. WIRES TO BE DRESSED IN SUCH A MANNER TO ALLOW TERMINALS TO FLOAT
FREELY IN THE POCKET.
 8. CONNECTORS ARE NOT TO BE MATED OR UNMATED WHILE CIRCUITS ARE LIVE.
 9. PART CONFORMS TO CLASS "B" REQUIREMENTS OF COSMETIC SPECIFICATION
PS-45499-002.
 10. TEXT ON PART IS FOR REFERENCE ONLY. TEXT AND TEXT LOCATION MAY VARY.

PLUG PART NUMBER	CKT	A	C	D	E
2070170018	18	33.6	39.0	51.2	63.0
2070170016	16	29.4	34.8	47.0	58.8
2070170014	14	25.2	30.6	42.8	54.6
2070170012	12	21.0	26.4	38.6	50.4
2070170010	10	16.8	22.2	34.4	46.2
2070170008	8	12.6	18.0	30.2	42.0
2070170006	6	8.4	13.8	26.0	37.8
2070170004	4	4.2	9.6	21.8	33.6

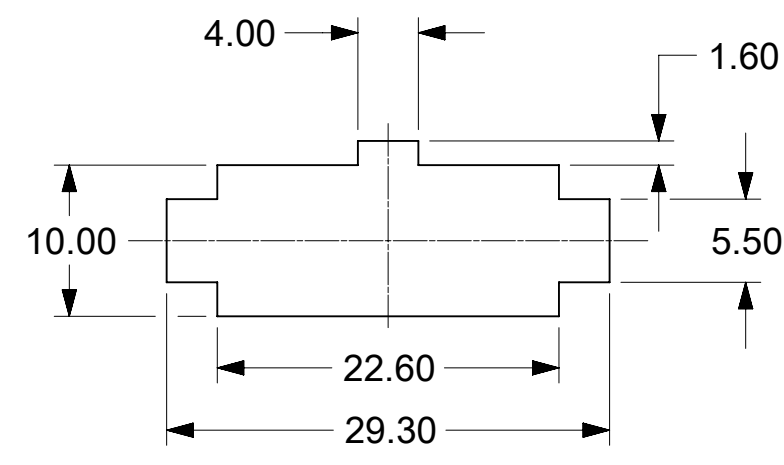
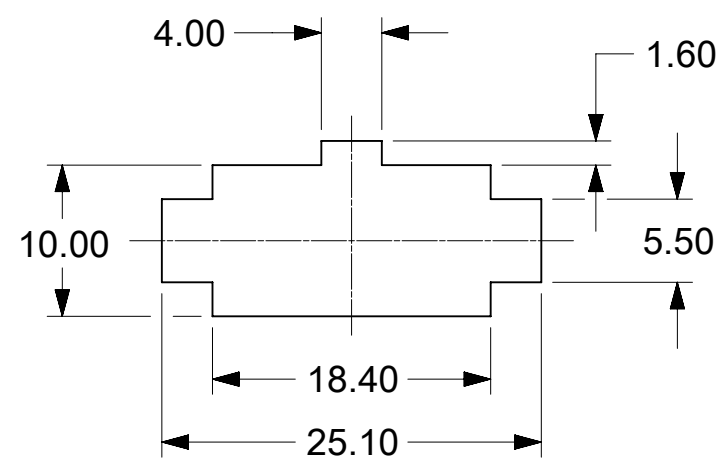
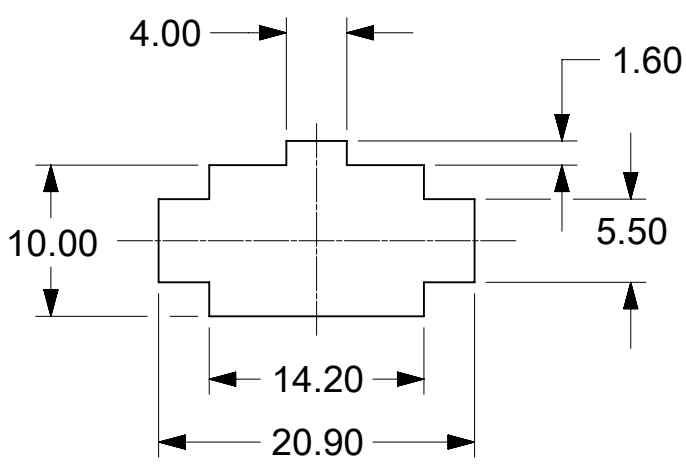
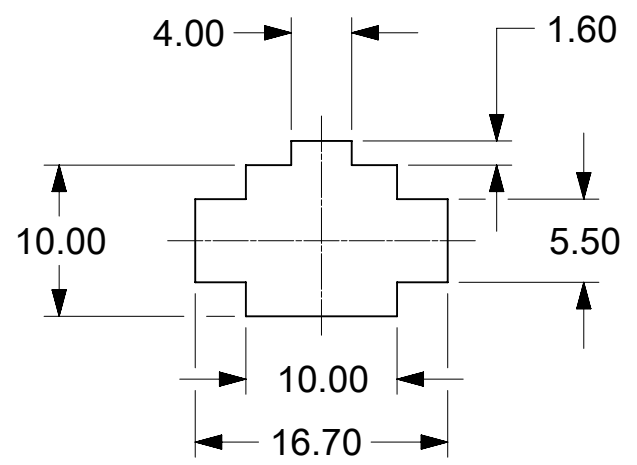
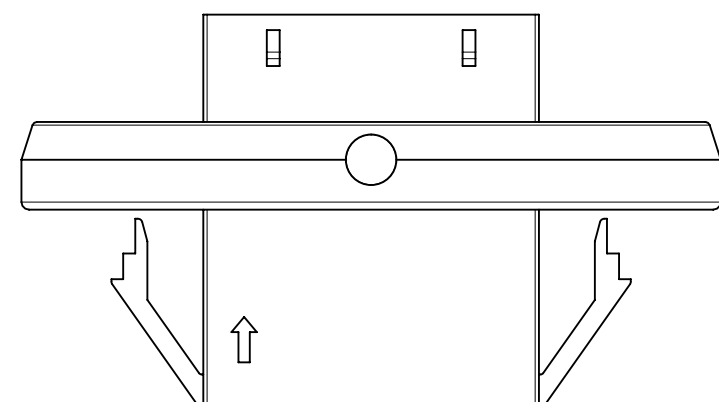
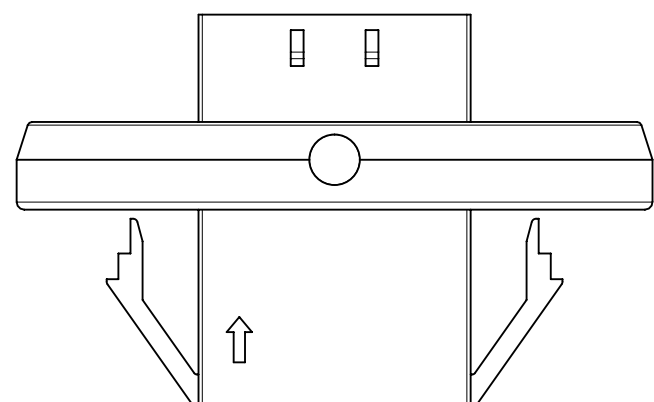
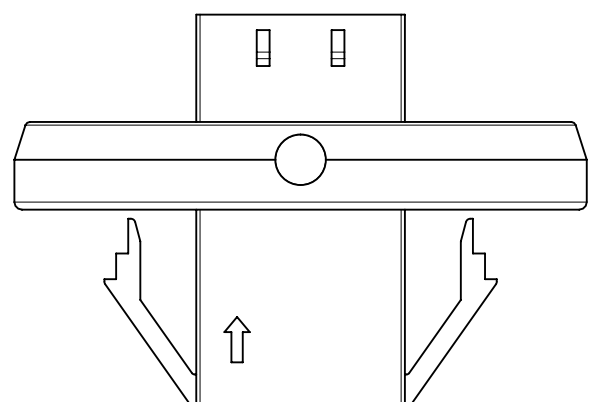
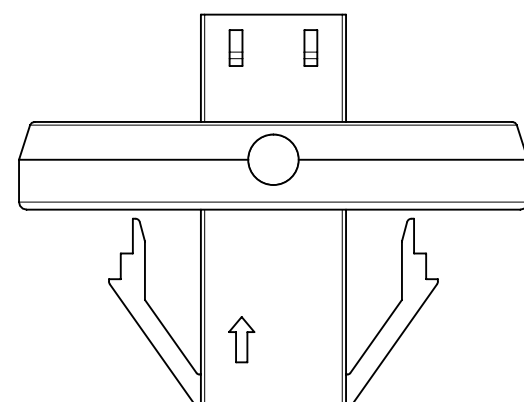
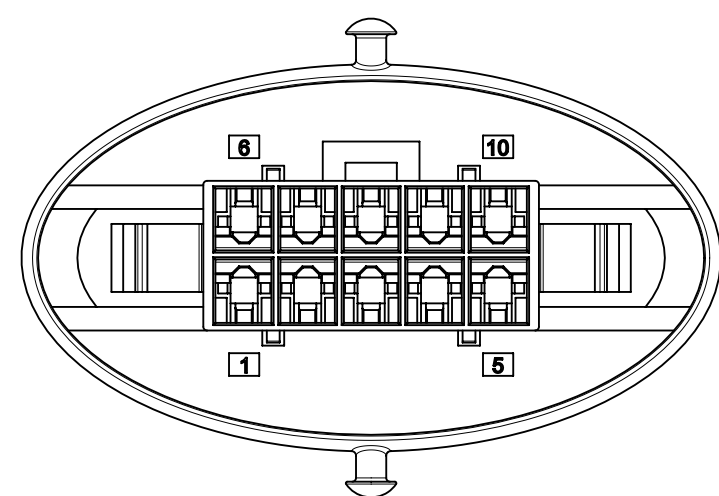
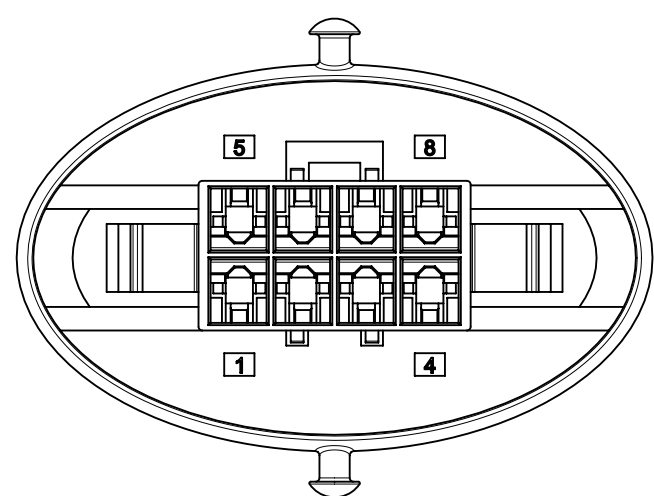
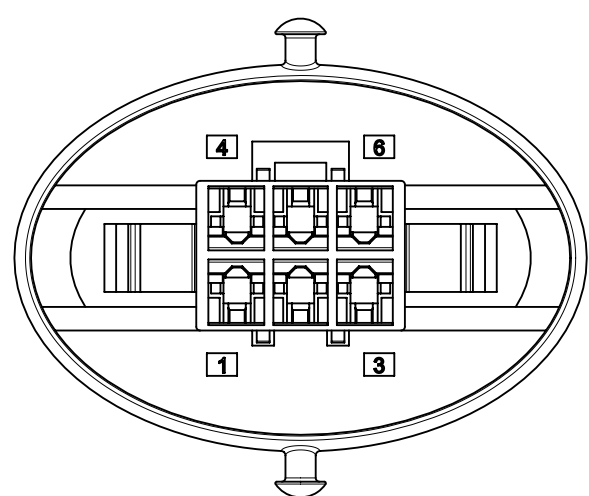
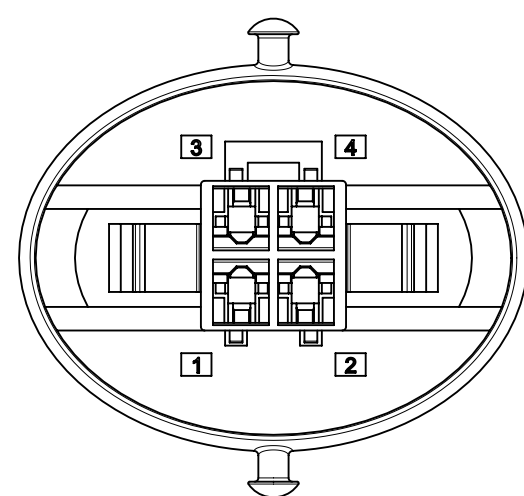
THIS DRAWING CONTAINS INFORMATION THAT IS PROPRIETARY TO MOLEX ELECTRONIC TECHNOLOGIES, LLC AND SHOULD NOT BE USED WITHOUT WRITTEN PERMISSION		CURRENT REV DESC:		molex	
DIMENSION UNITS mm	SCALE 2:1	EC NO: 670735			
GENERAL TOLERANCES (UNLESS SPECIFIED)		DRWN: KCHIKKANNA 2021/07/19		MINI-FIT SIGMA SEALED PLUG HOUSING	
ANGULAR TOL ± 0.5°		CHK'D: KCHIKKANNA 2021/07/19		PRODUCT CUSTOMER DRAWING	
4 PLACES ±		APPR: ISHWARG 2021/07/26		DOCUMENT NUMBER	
3 PLACES ±		INITIAL REVISION:		2070170000-SD	
2 PLACES ± 0.25		DRWN: GGUNAGI 2019/07/02		DOC TYPE	DOC PART
1 PLACE ± 0.35		APPR: NCSR 2019/09/18		PSD	000
0 PLACES ±		DRAFT WHERE APPLICABLE MUST REMAIN WITHIN DIMENSIONS		REVISION	C2
THIRD ANGLE PROJECTION		DRAWING	SERIES	MATERIAL NUMBER	CUSTOMER
B-SIZE		207017	SEE TABLE	GENERAL MARKET	SHEET NUMBER
					1 OF 3

4 CKT

6 CKT

8 CKT

10 CKT



RECOMMENDED PANEL CUT-OUTS FOR 0.89-2.00 THICK PANEL
 PANEL CUTOUT TOLERANCES ±0.10
 SHOWN FROM MATING SIDE

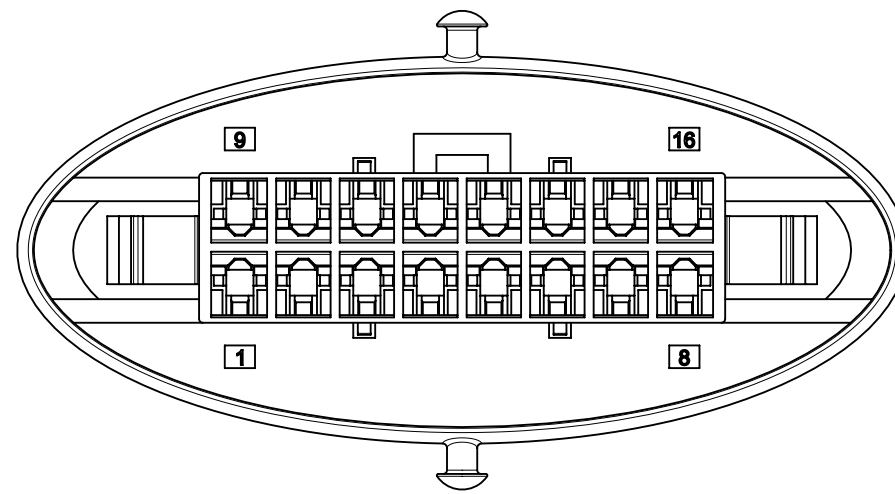
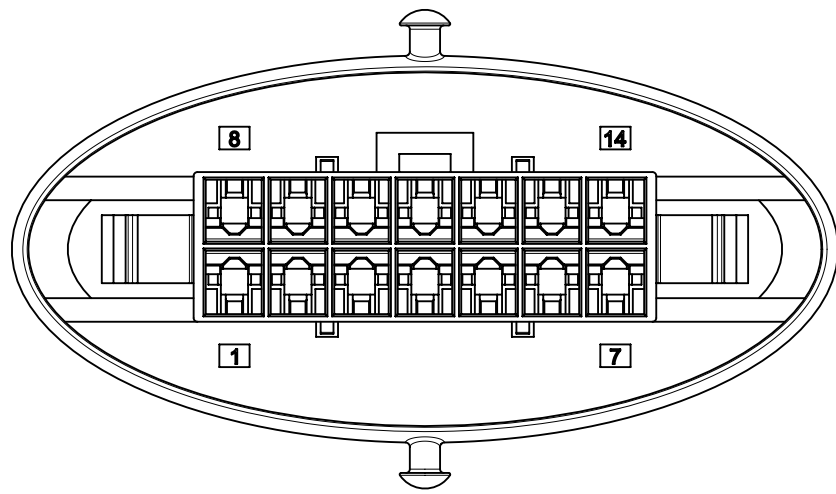
NOTES
 1. DIMENSIONS SHOWN ONLY APPLY TO CIRCUIT
 SIZE SHOWN, SEE SHEET 1 FOR ALL OTHER
 APPLICABLE DIMENSIONS.

THIS DRAWING CONTAINS INFORMATION THAT IS PROPRIETARY TO MOLEX ELECTRONIC TECHNOLOGIES, LLC AND SHOULD NOT BE USED WITHOUT WRITTEN PERMISSION													
DIMENSION UNITS		SCALE		CURRENT REV DESC:									
mm		2:1											
GENERAL TOLERANCES (UNLESS SPECIFIED)				EC NO: 670735									
ANGULAR TOL ± 0.5°				DRWN: KCHIKKANA 2021/07/19				CHK'D: KCHIKKANA 2021/07/19					
4 PLACES ±				APPR: ISHWARG 2021/07/26				INITIAL REVISION:					
3 PLACES ±				DRWN: GGUNAGI 2019/07/02				DOCUMENT NUMBER					
2 PLACES ± 0.25				APPR: NCSR 2019/09/18				2070170000-SD					
1 PLACE ± 0.35				THIRD ANGLE PROJECTION				DRAWING		SERIES		MATERIAL NUMBER	
0 PLACES ±				DRAFT WHERE APPLICABLE MUST REMAIN WITHIN DIMENSIONS		B-SIZE		207017		CUSTOMER		REVISION	
								SEE TABLE		GENERAL MARKET		C2	
										SHEET NUMBER		2 OF 3	

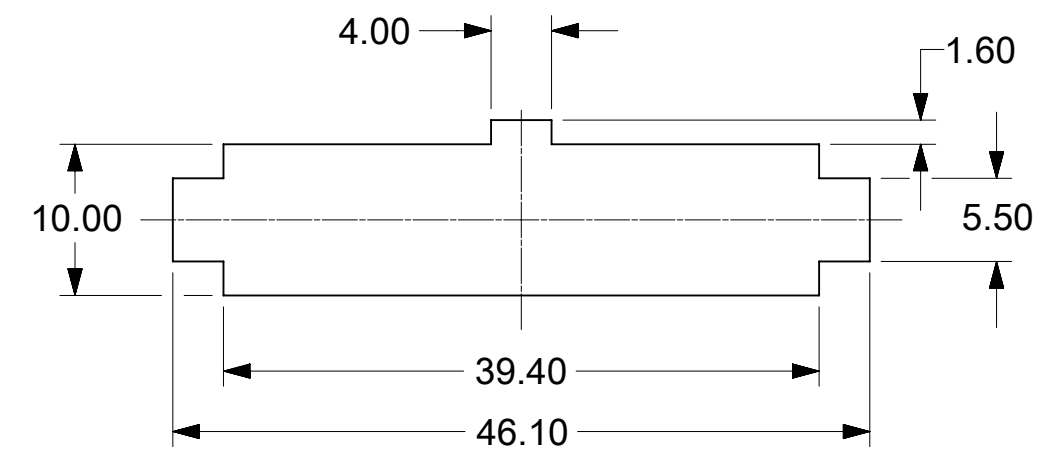
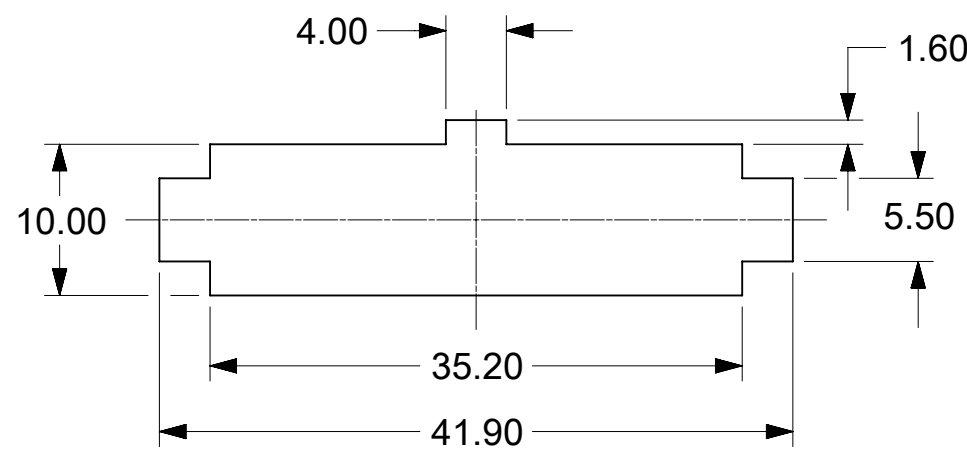
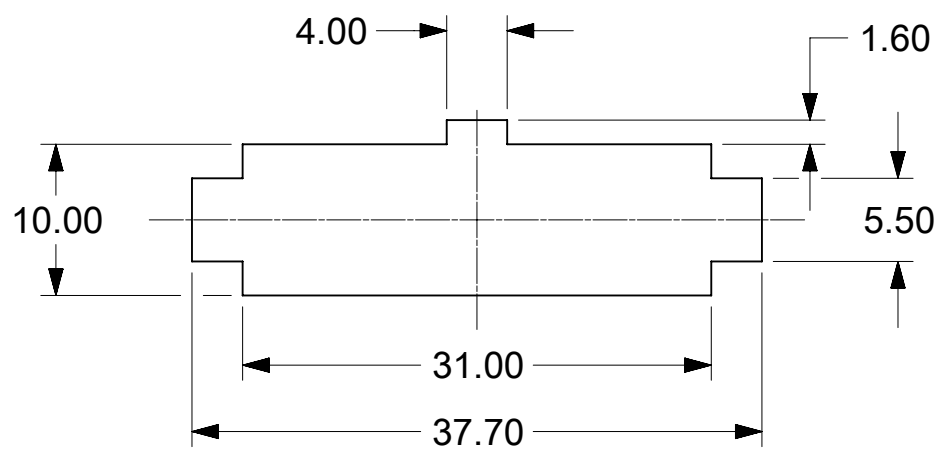
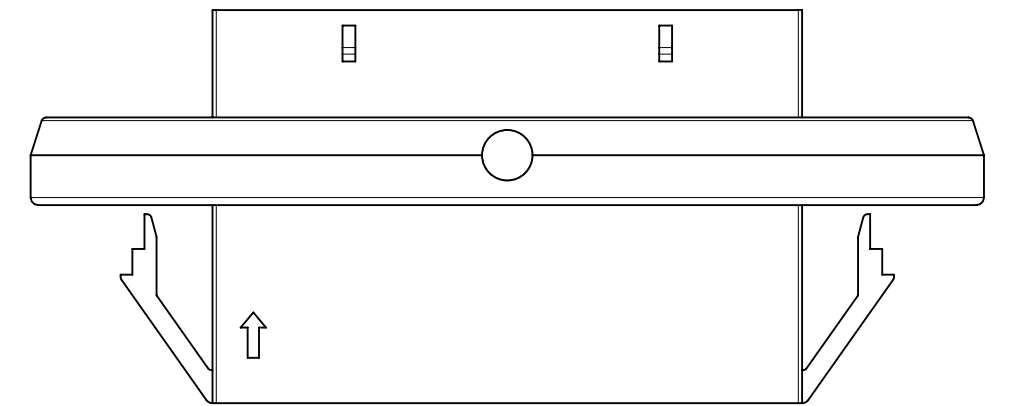
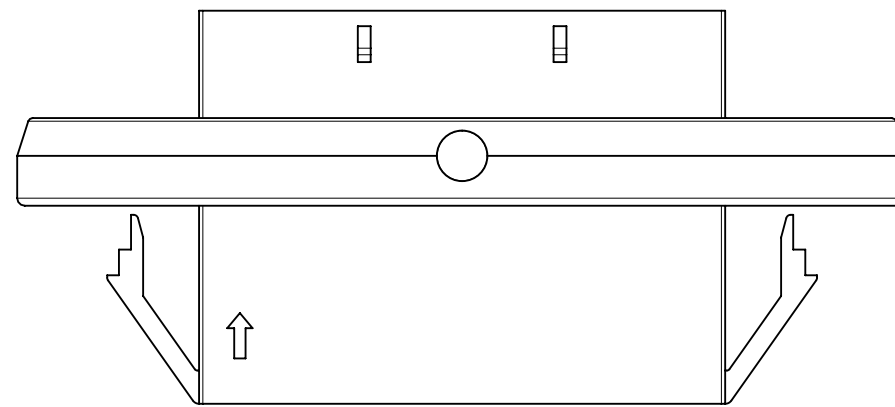
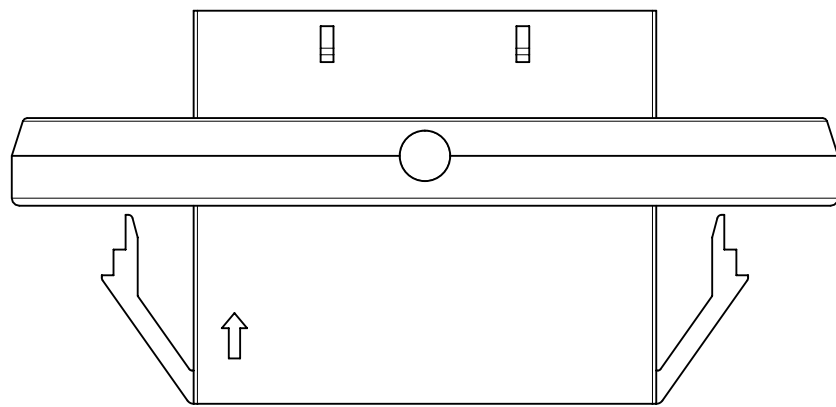
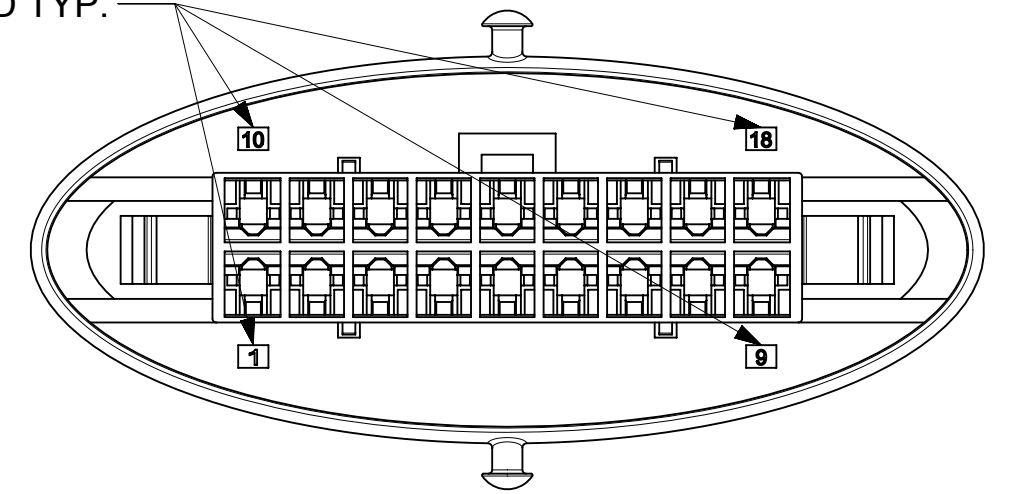
14 CKT

16 CKT

18 CKT



CKT ID TYP.



RECOMMENDED PANEL CUT-OUTS FOR 0.89-2.00 THICK PANEL
 PANEL CUTOUT TOLERANCES ±0.10
 SHOWN FROM MATING SIDE

NOTES
 1. DIMENSIONS SHOWN ONLY APPLY TO CIRCUIT
 SIZE SHOWN, SEE SHEET 1 FOR ALL OTHER
 APPLICABLE DIMENSIONS.

THIS DRAWING CONTAINS INFORMATION THAT IS PROPRIETARY TO MOLEX ELECTRONIC TECHNOLOGIES, LLC AND SHOULD NOT BE USED WITHOUT WRITTEN PERMISSION																										
DIMENSION UNITS	SCALE	CURRENT REV DESC:																								
mm	2:1																									
GENERAL TOLERANCES (UNLESS SPECIFIED)		EC NO: 670735																								
ANGULAR TOL	± 0.5°	DRWN: KCHIKKANA		2021/07/19		<table border="1"> <tr> <td colspan="3">molex</td> </tr> <tr> <td colspan="3">MINI-FIT SIGMA SEALED PLUG HOUSING</td> </tr> <tr> <td colspan="3">PRODUCT CUSTOMER DRAWING</td> </tr> <tr> <td>DOCUMENT NUMBER</td> <td>DOC TYPE</td> <td>DOC PART</td> <td>REVISION</td> </tr> <tr> <td>2070170000-SD</td> <td>PSD</td> <td>000</td> <td>C2</td> </tr> </table>				molex			MINI-FIT SIGMA SEALED PLUG HOUSING			PRODUCT CUSTOMER DRAWING			DOCUMENT NUMBER	DOC TYPE	DOC PART	REVISION	2070170000-SD	PSD	000	C2
molex																										
MINI-FIT SIGMA SEALED PLUG HOUSING																										
PRODUCT CUSTOMER DRAWING																										
DOCUMENT NUMBER	DOC TYPE	DOC PART	REVISION																							
2070170000-SD	PSD	000	C2																							
4 PLACES	±	CHK'D: KCHIKKANA		2021/07/19																						
3 PLACES	±	APPR: ISHWARG		2021/07/26																						
2 PLACES	± 0.25	INITIAL REVISION:																								
1 PLACE	± 0.35	DRWN: GGUNAGI		2019/07/02																						
0 PLACES	±	APPR: NCSR		2019/09/18																						
DRAFT WHERE APPLICABLE MUST REMAIN WITHIN DIMENSIONS	THIRD ANGLE PROJECTION	DRAWING	SERIES	MATERIAL NUMBER	CUSTOMER	SHEET NUMBER																				
		B-SIZE	207017	SEE TABLE	GENERAL MARKET	3 OF 3																				