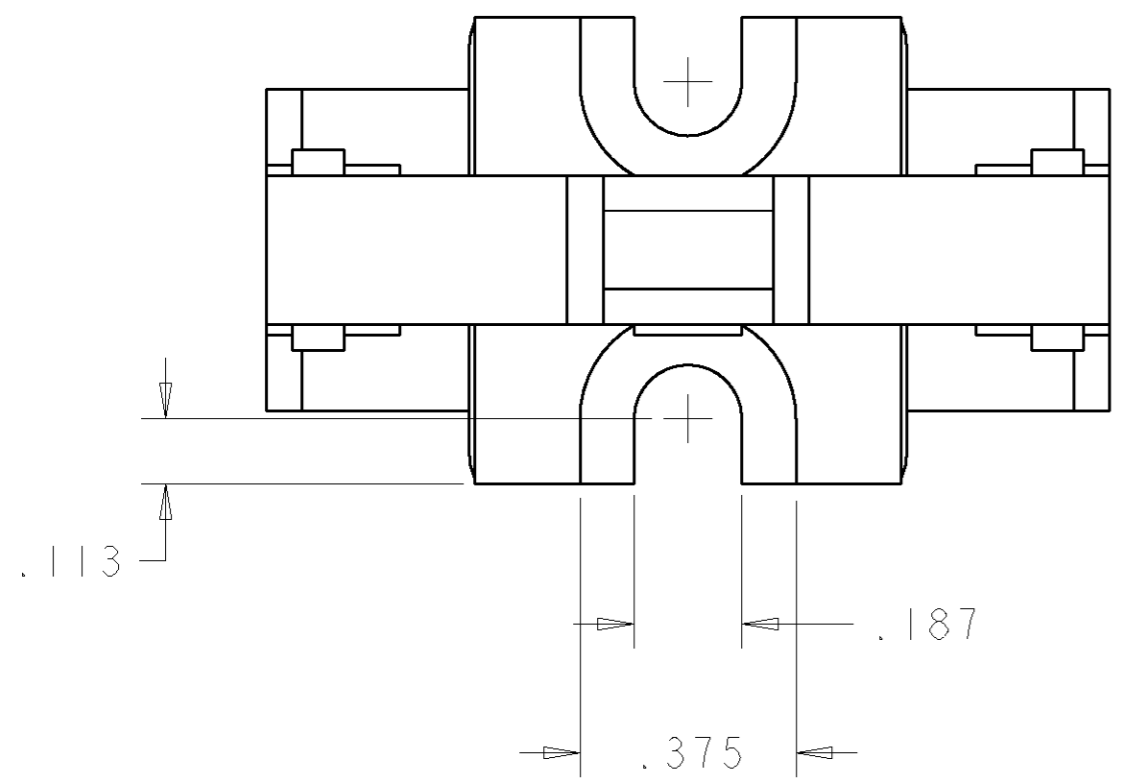
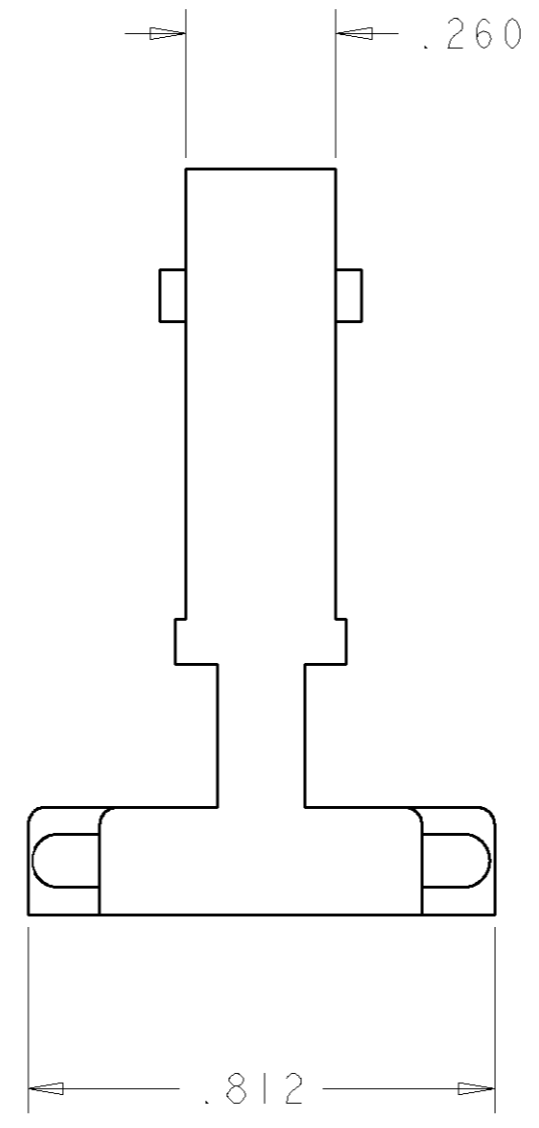
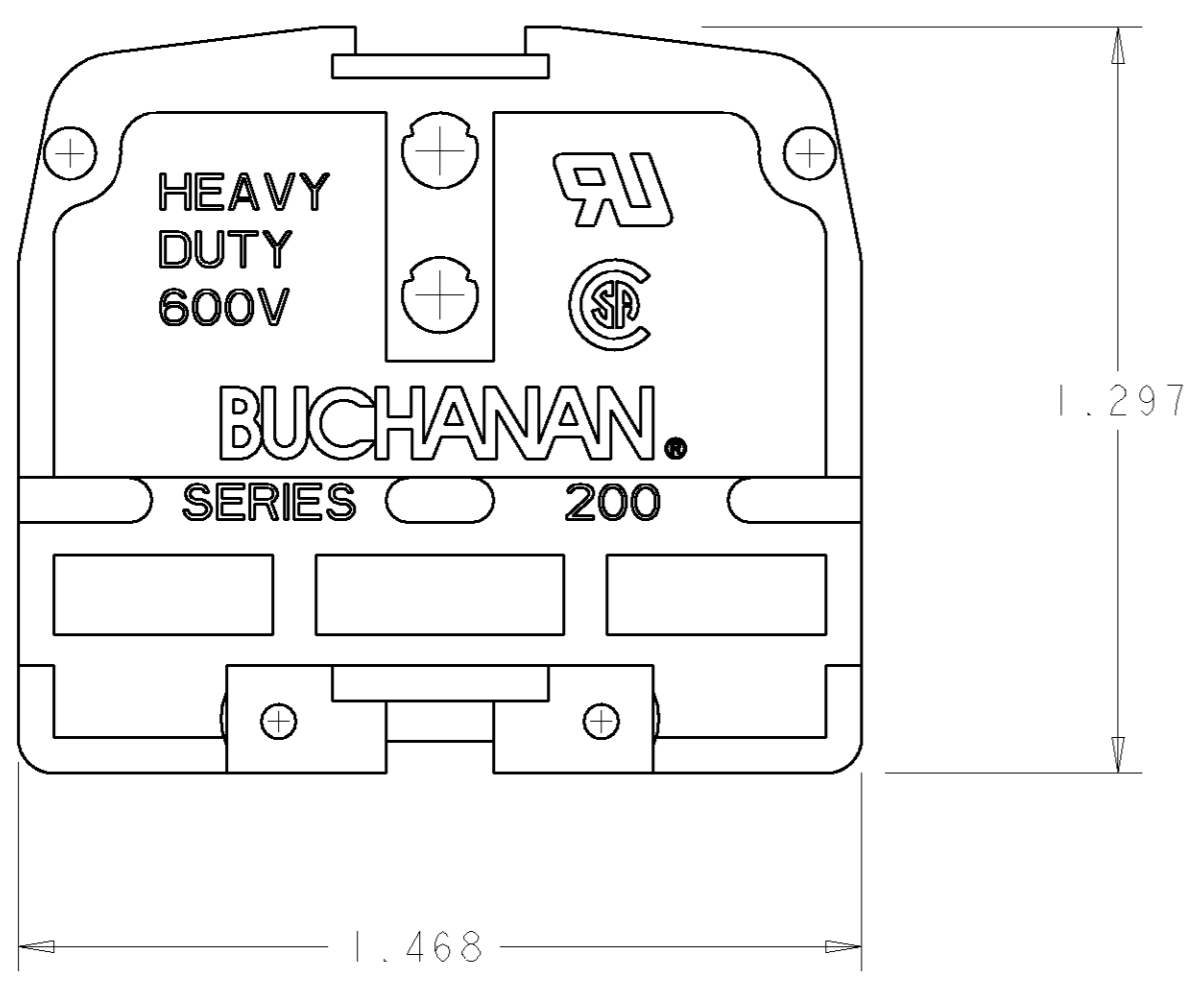


THIS DRAWING IS UNPUBLISHED. RELEASED FOR PUBLICATION 20  
 © COPYRIGHT 20 BY TYCO ELECTRONICS CORPORATION. ALL RIGHTS RESERVED.

LOC	DIST	REVISIONS					
FT	0	P	LTR	DESCRIPTION	DATE	DWN	APVD
			A	RELEASED PER EC 0G3B-0339-01	27SEP2001	SW	SY



- △ PHENOLIC, COLOR: BLACK
- 2. FOR USE WITH 200 SERIES CONTACT SECTIONS; ONE END SECTION PER BLOCK ASSEMBLY.
- 3. MOUNT WITH #8 SCREW.



230-BU	1-1437381-7
BUCHANAN CATALOG NO.	PART NUMBER

<small>THIS DRAWING IS A CONTROLLED DOCUMENT FOR TYCO ELECTRONICS CORPORATION. IT IS SUBJECT TO CHANGE AND THE CONTROLLING ENGINEERING ORGANIZATION SHOULD BE CONTACTED FOR THE LATEST REVISION.</small>		DWN S. WELDON 27SEP2001 CHK S. YODER 27SEP2001 APVD S. YODER 27SEP2001	<b>BUCHANAN</b> Tyco Electronics Harrisburg, PA 17105-3608
DIMENSIONS: INCHES	TOLERANCES UNLESS OTHERWISE SPECIFIED: 0 PLC ± 1 PLC ±0.0 2 PLC ±0.00 3 PLC ±0.010 4 PLC ±0.0000 ANGLES ± FINISH -	PRODUCT SPEC - APPLICATION SPEC - WEIGHT -	NAME END MOUNTING SECTION, HEAVY DUTY PHENOLIC, FLAT BASE
MATERIAL 		CUSTOMER DRAWING	SIZE A2 CAGE CODE 00779 DRAWING NO. 1-1437381-7 RESTRICTED TO - SCALE 3:1 SHEET 1 OF 1 REV A