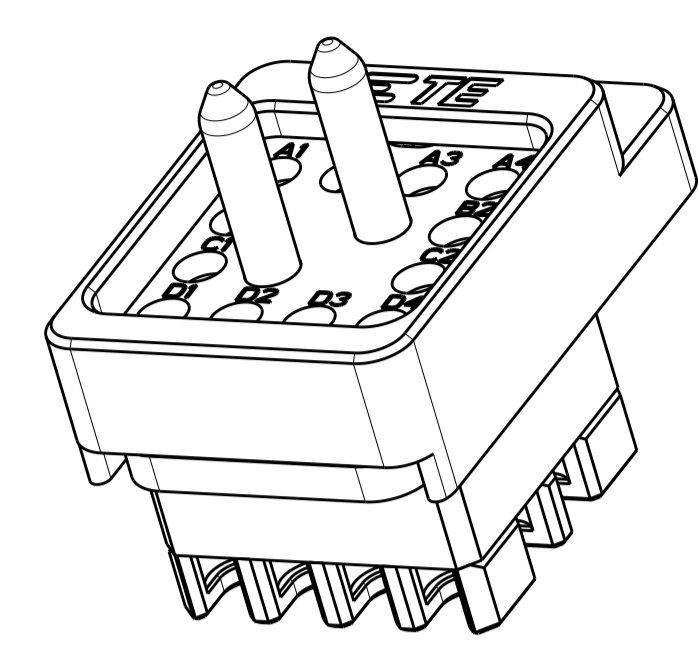
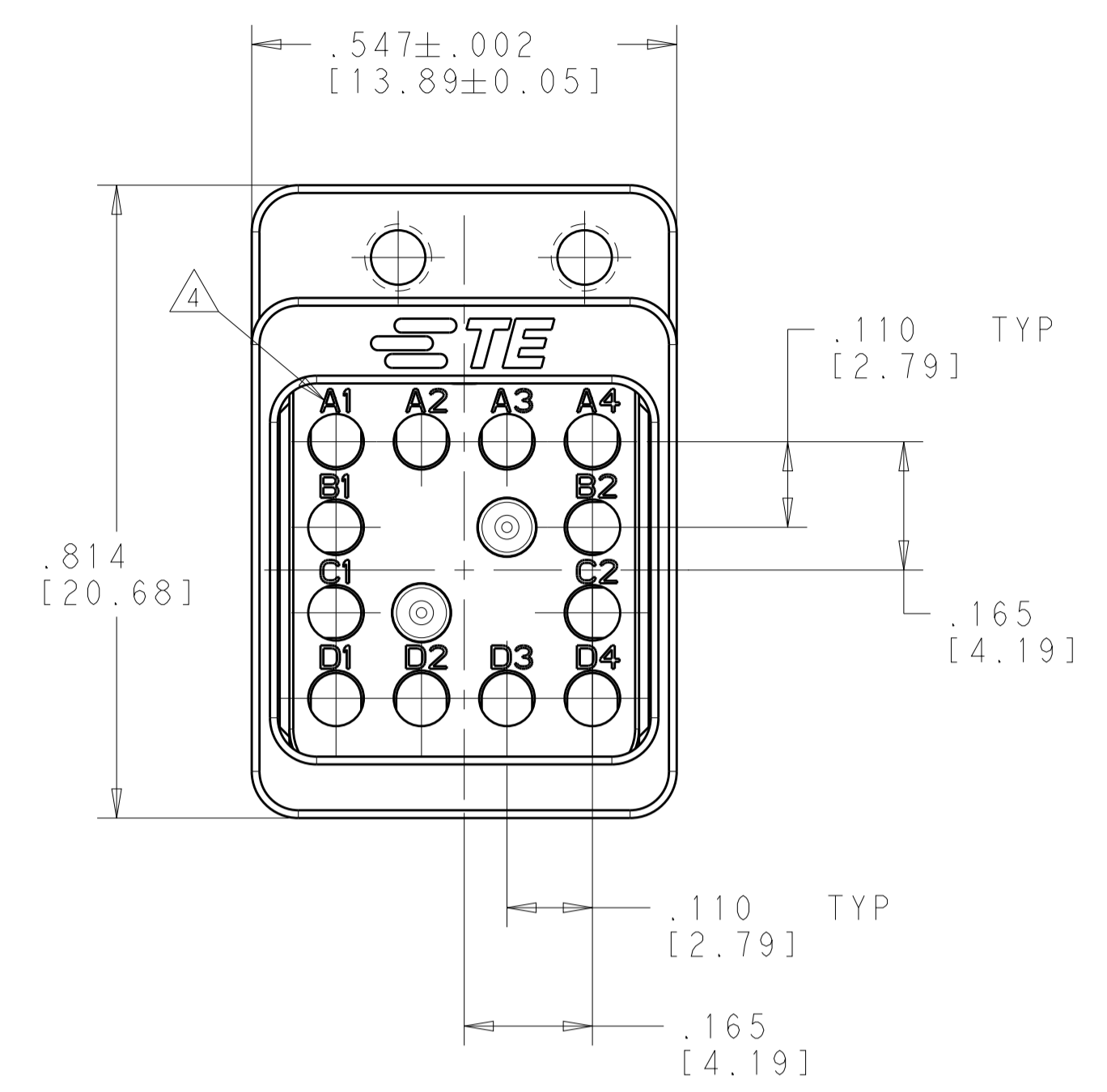
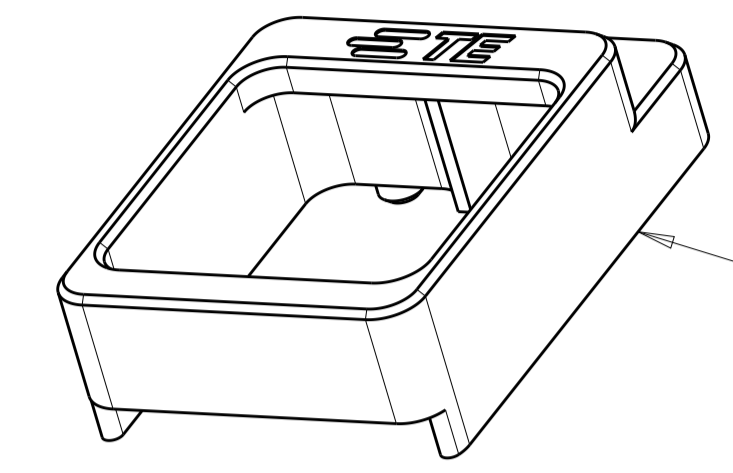


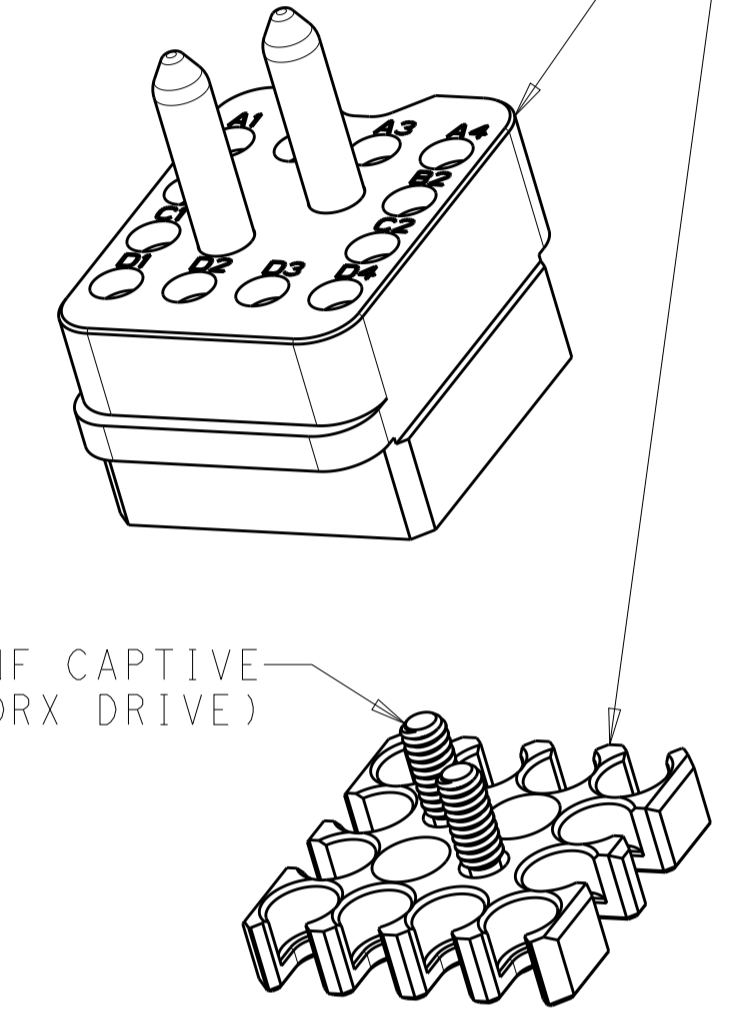
| REVISIONS |     |                            |          |          |
|-----------|-----|----------------------------|----------|----------|
| P.        | LTN | DESCRIPTION                | DATE     | OWN APVD |
| A         |     | RELEASED PER ECO 18-016587 | 10-23-18 | CT FB    |



SCALE 4:1

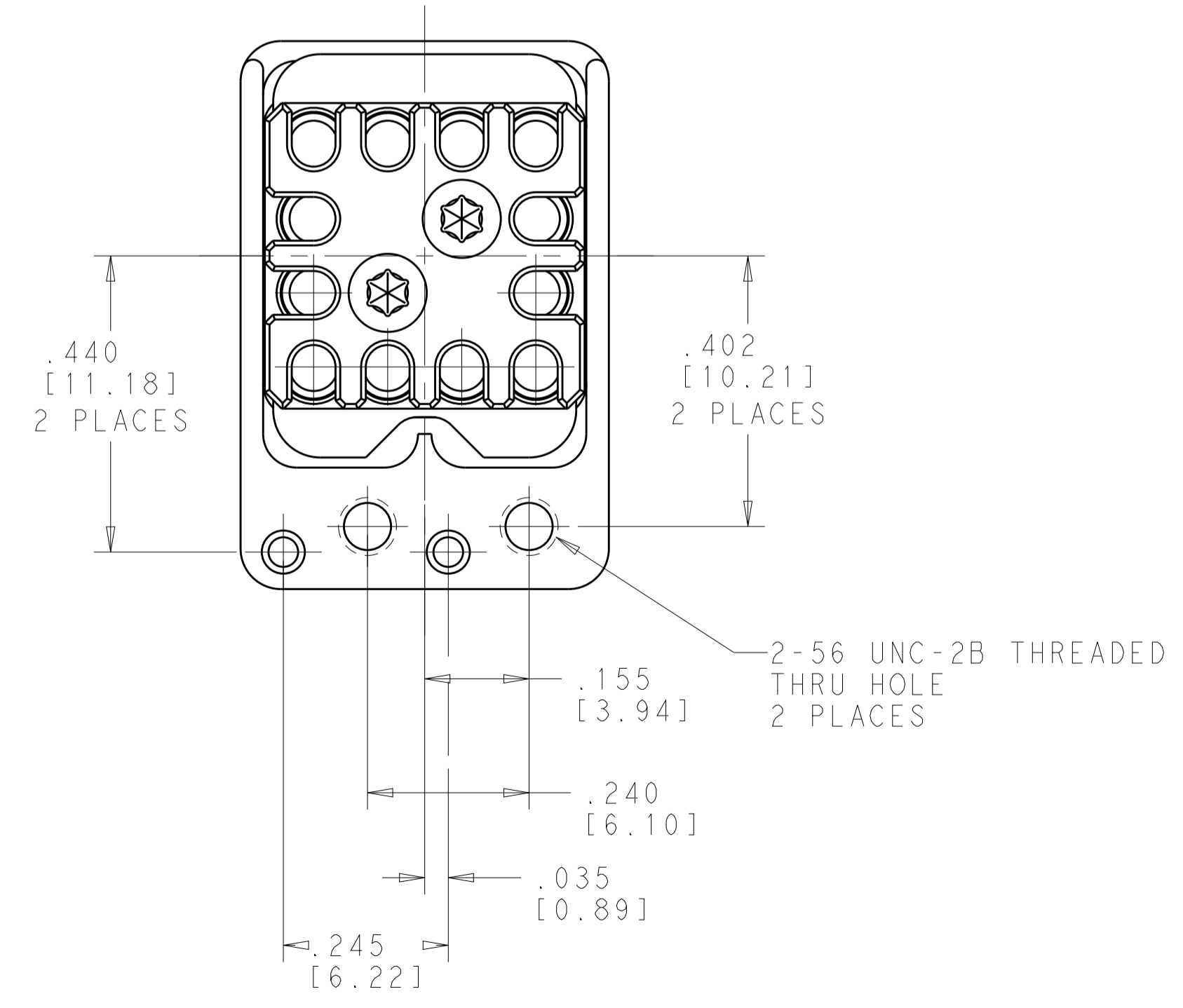
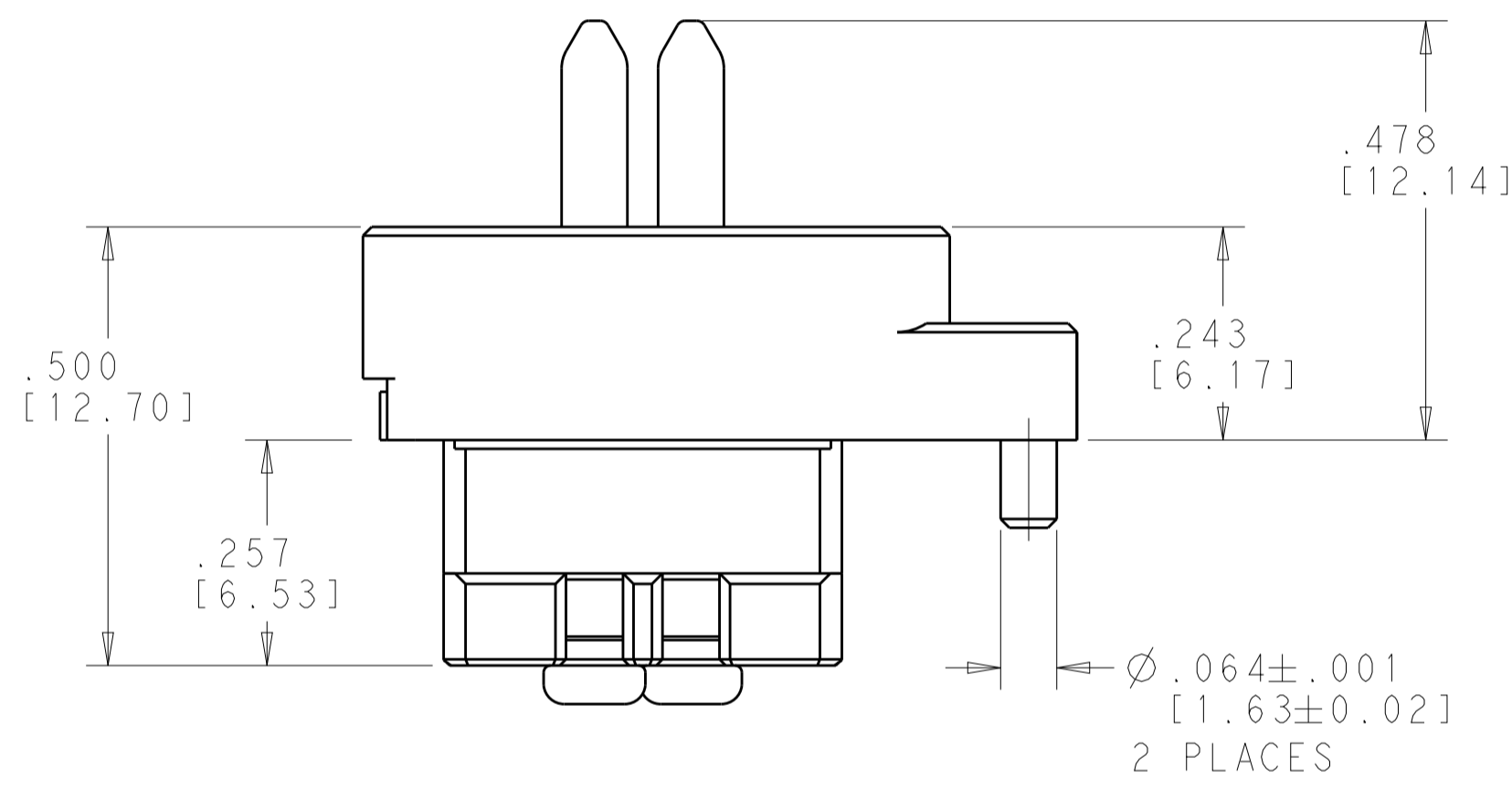
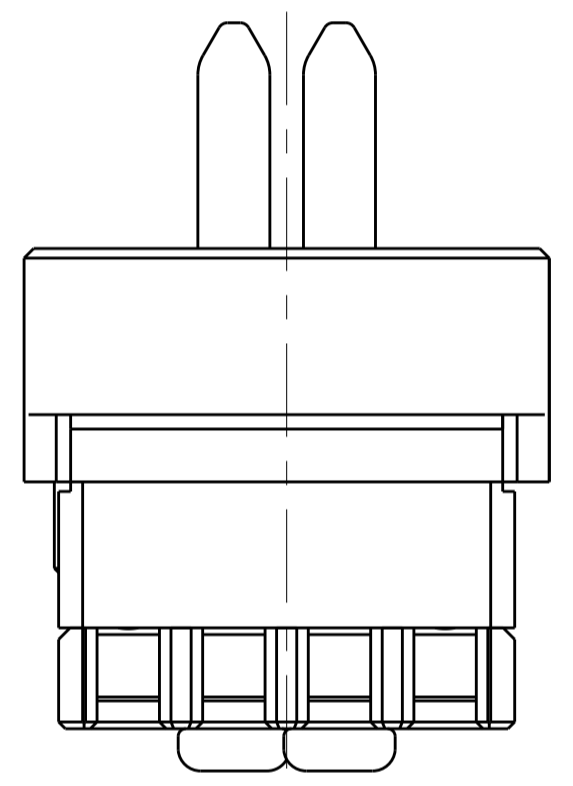


MODULE BODIES



0-80 UNF CAPTIVE SCREW (TORX DRIVE)

SCALE 4:1

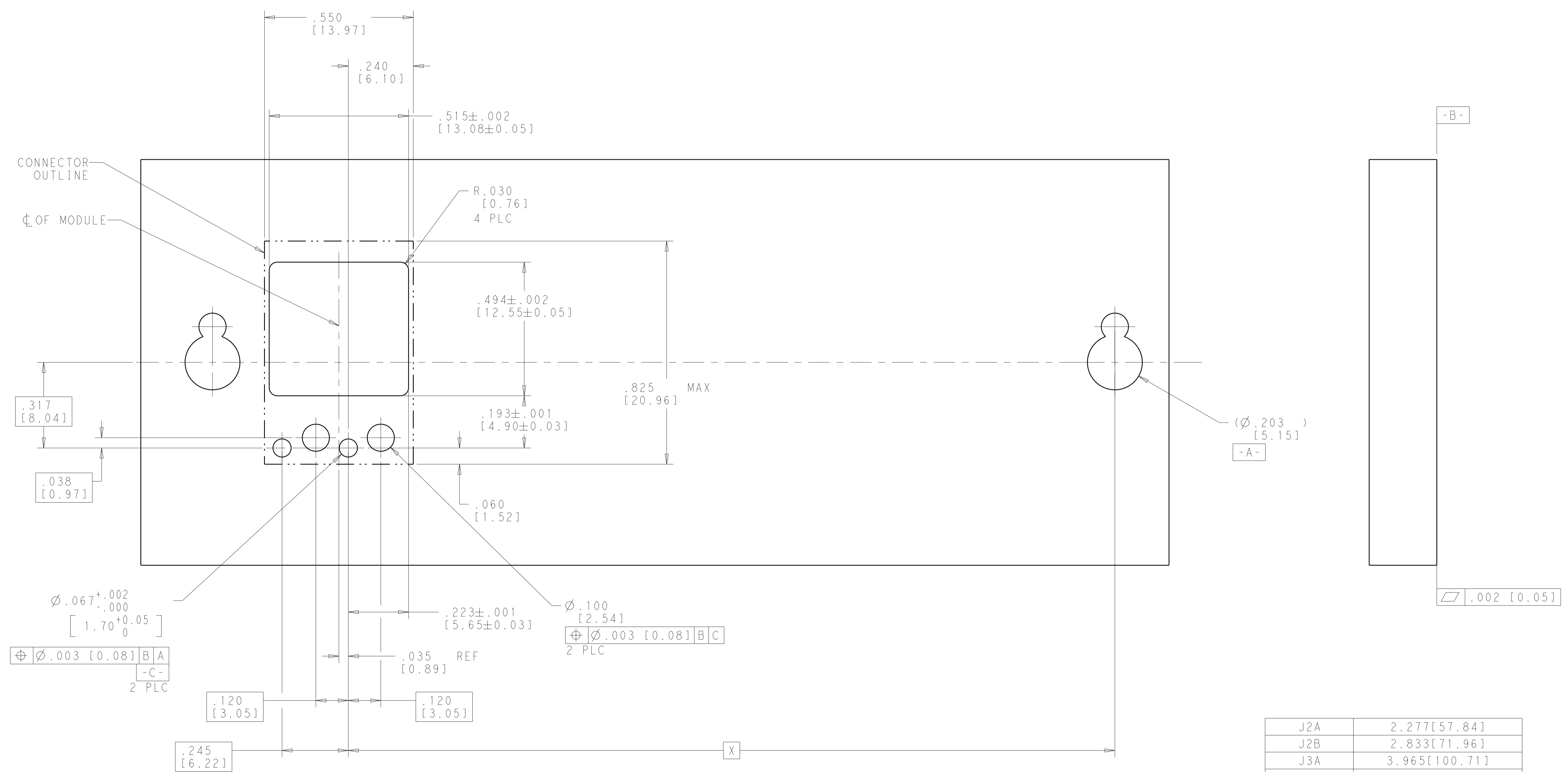


- 1 MATERIAL:  
MODULE BODIES - SEE TABLE  
GUIDE PIN - STAINLESS STEEL, PER UNS S30300  
SCREWS - 300 SERIES STAINLESS STEEL
- 2 FINISH:  
MODULE BODIES - SEE TABLE  
SCREWS AND GUIDE PIN - PASSIVATED
- 3. SHIPPED IN KIT FORM.
- 4 CIRCUIT IDENTIFICATION MARKING

|                                   |                                |             |
|-----------------------------------|--------------------------------|-------------|
| CLEAR CHROMATE CONVERSION COATING | ALUMINUM ALLOY 7075            | 2313228-2   |
| PASSIVATED                        | STAINLESS STEEL PER UNS S30300 | 2313228-1   |
| MODULE FINISH 2                   | MODULE MATERIAL 1              | PART NUMBER |

|                                        |          |                                  |                                                                       |                    |
|----------------------------------------|----------|----------------------------------|-----------------------------------------------------------------------|--------------------|
| THIS DRAWING IS A CONTROLLED DOCUMENT. |          | OWN<br>R. MILLER<br>17JUN2017    | TE Connectivity                                                       |                    |
| DIMENSIONS:<br>INCHES/mm               |          | CHK<br>K. DOWHOWER<br>19JUN2017  | NAME<br>12 POSITION NanoRF MODULE<br>P.C.B. MOUNT - BACKPLANE<br>VITA |                    |
| TOLERANCES UNLESS OTHERWISE SPECIFIED: |          | APVD<br>K. DOWHOWER<br>19JUN2017 | PRODUCT SPEC                                                          |                    |
| 0 PLC ±                                | 1 PLC ±  | 108-163006                       | APPLICATION SPEC                                                      |                    |
| 2 PLC ±                                | 3 PLC ±  | 408-163016                       | SIZE CAGE CODE DRAWING NO                                             |                    |
| 4 PLC ±                                | ANGLES ± | WEIGHT                           | RESTRICTED TO                                                         |                    |
| MATERIAL 1                             | FINISH 2 | CUSTOMER DRAWING                 | A100779C=2313228                                                      |                    |
|                                        |          |                                  | SCALE 5:1                                                             | SHEET 1 OF 2 REV A |

| REVISIONS |             |             |      |      |
|-----------|-------------|-------------|------|------|
| P.        | LTN         | DESCRIPTION | DATE | APVD |
| -         | SEE SHEET 1 |             |      |      |
|           |             |             |      |      |
|           |             |             |      |      |



TYP PCB LAYOUT - VIEWED FROM BACKSIDE OF BACKPLANE

|          |                |
|----------|----------------|
| J2A      | 2.277 [57.84]  |
| J2B      | 2.833 [71.96]  |
| J3A      | 3.965 [100.71] |
| J3B      | 4.521 [114.83] |
| J4A      | 5.099 [129.51] |
| J4B      | 5.655 [143.64] |
| J5A      | 6.233 [158.32] |
| J5B      | 6.789 [172.44] |
| J6A      | 7.367 [187.12] |
| J6B      | 7.922 [201.22] |
| POSITION | DIM "X"        |

|                                        |                                                                                                                                       |                                                                                                                  |                               |
|----------------------------------------|---------------------------------------------------------------------------------------------------------------------------------------|------------------------------------------------------------------------------------------------------------------|-------------------------------|
| THIS DRAWING IS A CONTROLLED DOCUMENT. |                                                                                                                                       | DWN<br><b>M. MILLER</b> 17JUN2017<br>CHK<br><b>K. DOWHOWER</b> 19JUN2017<br>APVD<br><b>K. DOWHOWER</b> 19JUN2017 | TE Connectivity<br><b>STE</b> |
| DIMENSIONS:<br>INCHES/mm<br>           | TOLERANCES UNLESS<br>OTHERWISE SPECIFIED:<br>0 PLC ±.<br>1 PLC ±.<br>2 PLC ±.<br>3 PLC ±.005(0.13)<br>4 PLC ±.<br>ANGLES ±.<br>FINISH | PRODUCT SPEC<br><b>108-163006</b><br>APPLICATION SPEC<br><b>408-163016</b><br>WEIGHT<br>CUSTOMER DRAWING         |                               |